

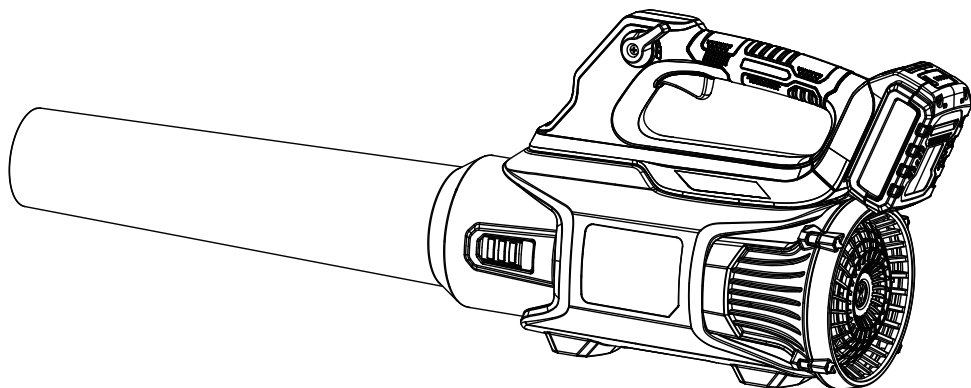


20V MAX LITHIUM ION CORDLESS AXIAL FAN BLOWER

Operator's manual

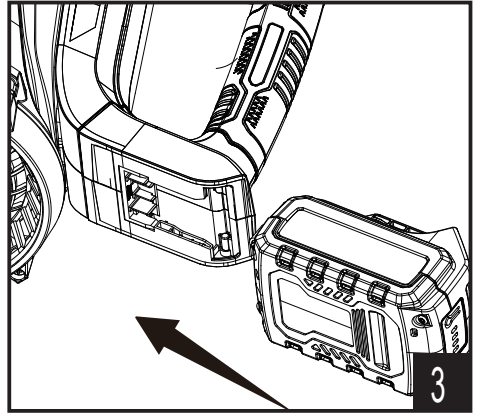
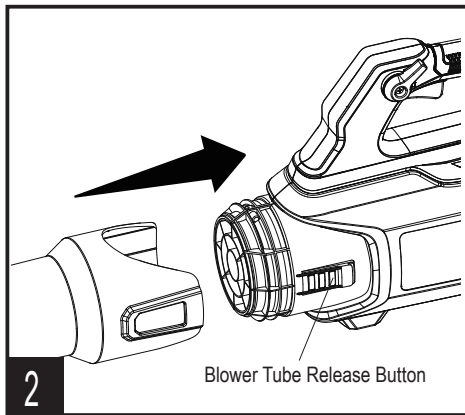
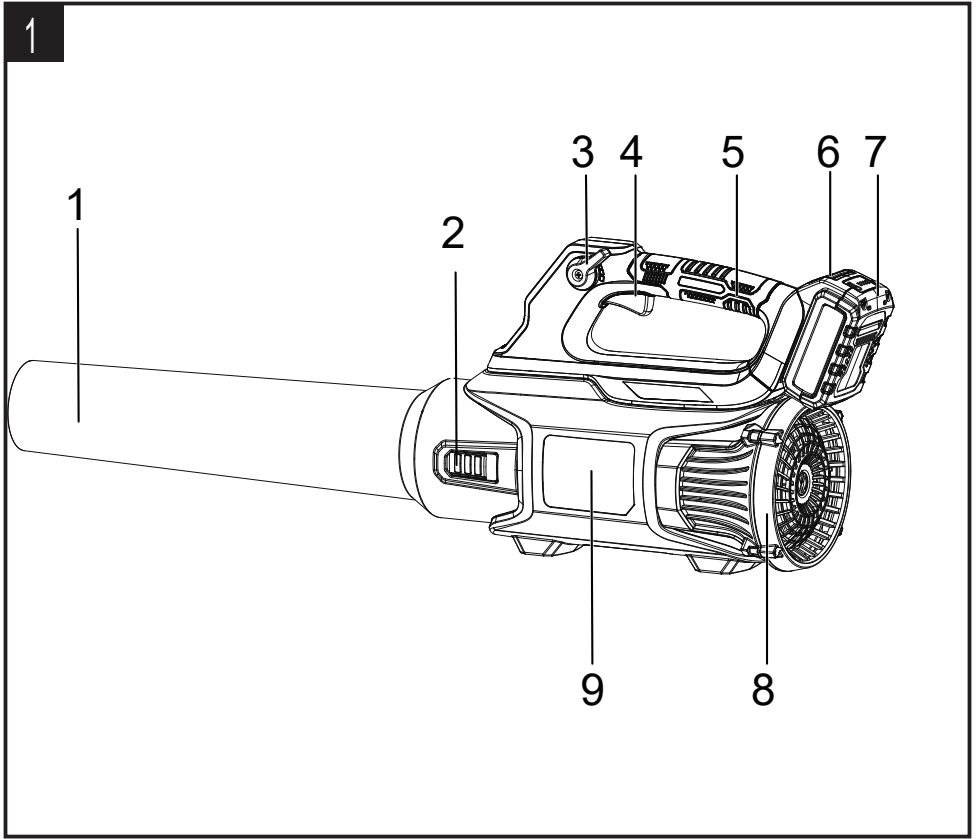
Model: BLAX2-M

BLAX2-M-0



For customer support, please call 1-800-261-3981 or send email to:
Service@senixtools.com
SAVE THIS MANUAL FOR FUTURE REFERENCE.

ORIGINAL INSTRUCTIONS



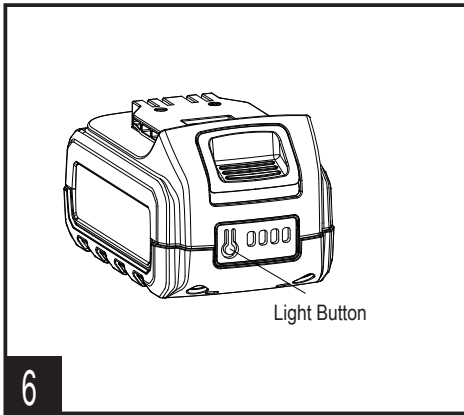
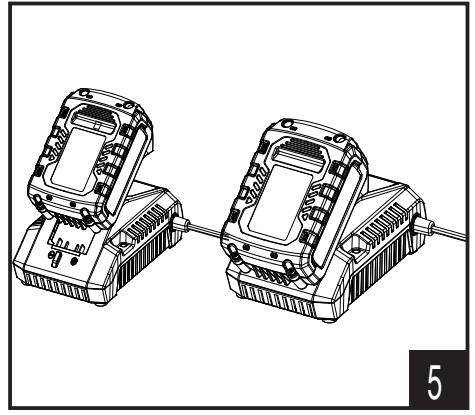
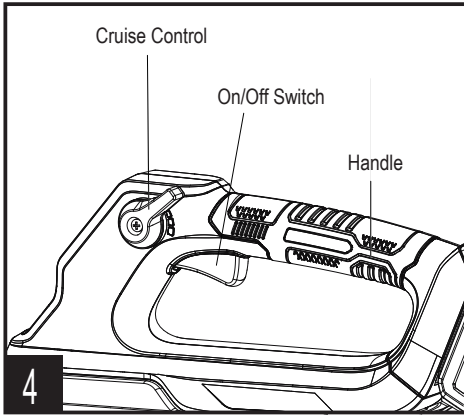


TABLE OF CONTENTS

SAFETY & INTERNATIONAL SYMBOLS	4
SAFETY INSTRUCTIONS.....	5
KNOW YOUR UNIT.....	10
SPECIFICATIONS*.....	10
ASSEMBLY.....	11
OPERATION.....	11
MAINTENANCE.....	13
TROUBLESHOOTING.....	14
PARTS.....	15
WARRANTY.....	16

SAFETY & INTERNATIONAL SYMBOLS

Explanation of Safety & international symbols describes safety and international symbols and pictographs that may appear on this product. Read the operator's manual for complete safety, assembly, operating and maintenance and repair information.



Caution / Warning.



To reduce the risk of injury, user must read instruction manual.



Wear eye protection.



Wear hearing protection.



Wear respiratory protection.



Do not use in rain or wet conditions.



Wear protective gloves.



Wear Sturdy, non-slip footwear.



Do not use in rain or wet conditions.



Keep all bystanders at least 50 ft. away.



Thrown objects can ricochet and result in personal injury or property damage.



Do not dispose of battery packs in rivers or immerse in water.



Do not dispose of battery packs in fire. They will explode and cause injury.



Use and store the battery within a temperature below 122°F(50°C).



Do not disassemble, crush, heat above 212°F(100°C) ; Never expose the battery to microwaves or high pressures.



Indoor use only. Only use battery charger indoors.

SAFETY INSTRUCTIONS



WARNING!

This product can expose you to chemicals including lead, a chemical known to the State of California to cause cancer and birth defects or other reproductive harm. For more information go to www.P65Warnings.ca.gov.



WARNING!

Some dust created by power sanding, sawing, grinding, drilling and other construction activities contains chemicals known to the state of California to cause cancer, birth defects or other reproductive harm. Some examples of these chemicals are:
Lead from lead-based paints,
Crystalline silica from bricks and cement and other masonry products and Arsenic and chromium from chemically treated lumber.
Your risk from these exposures varies, depending on how often you do this type of work. To reduce your exposure to these chemical:
Work in a well ventilated area,
And work with approved safety equipment, such as those dust masks that are specially designed to filter out microscopic particles.

GENERAL POWER TOOL SAFETY WARNINGS



WARNING!

When using electric gardening appliances, basic safety precautions should always be followed to reduce risk of fire, electric shock, and personal injury, including the following:

SAVE THESE INSTRUCTIONS AND REVIEW FREQUENTLY PRIOR TO USE AND IN INSTRUCTING OTHERS.

- Keep Children Away – All visitors should be kept at a distance from work area.
- Dress Properly – Do not wear loose clothing or jewelry. They can be caught in moving parts. Use of rubber gloves and substantial footwear is recommended when working outdoors. Wear protective hair covering to contain long hair.
- Use Safety Glasses – Always use face or dust mask if operation is dusty.
- Wear Appropriate Personal Hearing Protection During Use – Under some conditions and duration of use, noise from this product may contribute to hearing loss.
- Use Right Appliance – Do not use

appliance for any job except that for which it is intended.

- **Disconnect Appliance** – Disconnect the appliance from the power supply when not in use, before servicing, when changing accessories such as blades, and the like.
- **Check Damaged Parts** – Before further use of the leaf blower, a guard or other part that is damaged should be carefully checked to determine that it will operate properly and perform its intended function. Check for alignment of moving parts, binding of moving parts, breakage of parts, mounting and any other condition that may affect its operation. A guard or other part that is damaged should be properly repaired or replaced call our customer service help line for assistance.
- **Lighting** – Only operate blower in daylight or good artificial light.
- **Don't overreach** – Keep proper footing and balance at all times.
- **Don't Use In Rain.**
- **Avoid Dangerous Environments** – Don't use blower in rain, damp or wet locations. Do not operate blower in gaseous or explosive atmospheres. Motors in these

tools normally spark, and the sparks might ignite fumes.

- **Avoid Unintentional Starting** – Don't carry the blower with finger on switch. Be sure switch trigger is in the locked or off position before inserting battery pack.
- **Don't Force Appliance** – It will do the job better and with less likelihood of a risk of injury at the rate for which it was designed.
- **Don't Overreach** – Keep proper footing and balance at all times.
- **Stay Alert** – Watch what you are doing. Use common sense. Do not operate appliance when you are tired.
- **Store Idle Appliances Indoors** – When not in use, appliances should be stored indoors in dry, and high or locked-up place – out of reach of children.
- **Maintain Blower With Care** – Keep guard and handles clean for best performance and to reduce the risk of injury. Keep handles dry and free from oil and grease.

BLOWER SAFETY WARNINGS

- The blower has been designed to clear light debris and leaves from hard surfaces – not for clearing grassed areas.
- This blower is intended for

household use only. Commercial use of this product is prohibited and will void the manufacturer's warranty.

- Prevent unintentional starting. Ensure the switch is in the off-position before connecting to battery pack, picking up or carrying the appliance. Carrying the appliance with your finger on the switch or energizing appliance that have the switch on invites accidents.
- Disconnect the battery pack from the appliance before making any adjustments, changing accessories, or storing appliance. Such preventive safety measures reduce the risk of starting the appliance accidentally.
- When operating the unit, never point the blower nozzle in the direction of people or pets or in the direction of windows. Use extra caution when blowing debris near solid objects, such as trees, automobiles, and walls.
- Be sure to secure the unit when transporting it.
- Never douse or squirt the unit with water or any other liquid. Clean the unit after each use as described in the cleaning and storage section.
- Carefully inspect your appliance prior to use and follow all label and marking instructions.
- Keep all parts of your body away from any moving parts and all hot surfaces of the unit.
- Do not put any object into the tool's openings. Do not use the tool with any opening blocked; keep openings free of dust, lint, hair, or any other object that may reduce air flow.
- Check the work area before each use. Remove all objects such as rocks, broken glass, nails, wire, or string, which can be thrown or become entangled in the machine.
- Service on the product must be performed by qualified repair personnel only. Service or maintenance performed by unqualified personnel could result in injury to the user or damage to the product.
- Never run the unit without the proper equipment attached. Always ensure the blower tube is properly installed.
- Always grasp the handle when operating the unit, only operate the machine in its intended orientation.

BATTERY PACK AND BATTERY CHARGER SAFETY WARNINGS

- Recharge only with the charger specified by the manufacturer. A charger that is suitable for one type of battery pack may create a risk of fire when used with another battery pack.
- Use appliances only with specifically designated battery packs. Use of any other battery packs may create a risk of injury and fire.



WARNING!

Use only the following type and size battery: B25X2/B50X2.

- When battery pack is not in use, keep it away from other metal objects, like paper clips, coins, keys, nails, screws or other small metal objects, that can make a connection from one terminal to another. Shorting the battery terminals together may cause burns or a fire.
- Under abusive conditions, liquid may be ejected from the battery; avoid contact. If contact accidentally occurs, flush with water. If liquid contacts eyes, additionally seek medical help. Liquid ejected from the battery

may cause irritation or burns.

(This advice is considered correct for conventional NiMh, NiCd, lead acid and lithium-ion cell types. If this advice is incorrect for a cell design that differs from these, then the correct advice may be substituted.)

- Do not use a battery pack or appliance that is damaged or modified. Damaged or modified batteries may exhibit unpredictable behavior resulting in fire, explosion or risk of injury.
- Do not expose a battery pack or appliance to fire or excessive temperature. Exposure to fire or temperature above 266°F(130°C) may cause explosion.
- Follow all charging instructions and do not charge the battery pack or appliance outside of the temperature range specified in the instructions. Charging improperly or at temperatures outside of the specified range may damage the battery and increase the risk of fire.
- Do not modify or attempt to repair the appliance or the battery pack (as applicable) except as indicated in the instructions for use and care.

EMERGENCY

Familiarize yourself with the use of this product by means of this instruction manual. Memorize the safety directions and follow them to the letter. This will help to prevent risks and hazards.

1. Always be alert when using this product, so that you can recognize and handle risks early. Fast intervention can prevent serious injury and damage to property.
2. Switch off the product and remove the battery pack if there are malfunctions. Have the product checked by a qualified professional and repaired, if necessary, before you operate it again.

RESIDUAL RISKS

Even if you are operating this product in accordance with all the safety requirements, potential risks of injury and damage remain. The following dangers can arise in connection with the structure and design of this product:

1. Health defects resulting from vibration emission if the product is being used over long periods of time or not adequately managed and properly maintained.
2. Injuries and damage to property

due to broken attachments or the sudden impact of hidden objects during use.

3. Danger of injury and property damage caused by flying objects.
4. Prolonged use of this product expose the operator to vibrations and may produce 'whitefinger' disease. In order to reduce the risk, please wear gloves and keep your hands warm. If any of the 'whitefinger' symptoms appear, seek medical advice immediately. 'Whitefinger' symptoms include: numbness, loss of feeling, tingling, pricking, pain, loss of strength, changes in skin colour or condition. These symptoms normally appear in the fingers, hands or wrists. The risk increases at low temperatures.



WARNING!

This product produces an electromagnetic field during operation! This field may under some circumstances interfere with active or passive medical implants! To reduce the risk of serious or fatal injury, we recommend persons with medical implants to consult their doctor and the medical implant manufacturer before operating this product!

SAVE THESE INSTRUCTIONS

KNOW YOUR UNIT

APPLICATIONS

Model: BLAX2-M

As a blower:

Blowing leaves, garden waste such as grass, twigs and pine needles.

1	Blower tube
2	Blower Tube Release Button
3	Cruise Control
4	On/Off Switch
5	Handle
6	Unlock Button of Battery Pack
7	Battery Pack
8	Air Inlet Cover
9	Housing



NOTE:

BLAX2-M-0 does not include the charger and the battery pack.

SPECIFICATIONS*

Model	BLAX2-M	
Input voltage	18V d.c.	
No-load speed	0-16800RPM	
Max. wind speed	80MPH	
Max. wind volume	350CFM	
Weight (without battery pack)	4.63lbs	
Battery model for option	B25X2	B50X2
Rated voltage	18V	18V
Rated capacity	2.5Ah	5.0Ah
Weight	0.74lbs	1.43lbs
Charger model	CHX2	
Rated input	100-240V ~ 50/60Hz	
Rated output	21V, 2000mA	
Charging time (with 2.5 Ah battery)	85mins	
Charging time (with 5.0 Ah battery)	130mins	
Protection class(for charger)	□ / II	
Weight	0.75lbs	

Model	BLAX2-M-0
Input voltage	18V d.c.
No-load speed	0-16800RPM
Max. wind speed	80MPH
Max. wind volume	350CFM
Weight (without battery pack)	4.63lbs
Battery model	Not included
Charger model	Not included

ASSEMBLY

1. Unpack all parts and lay them on a flat, stable surface:
2. Remove all packing materials and shipping devices, if applicable.
3. The scope of delivery varies depending on the country and purchased variant:
Model of BLAX2-M-0
 - Blower x1
 - Blower tube x1
 - Instruction manual x1
4. If you find that parts are missing or show damage do not use the product but contact your dealer. Using an incomplete or damaged product represents a hazard to people and property.
5. Ensure that you have all the accessories and tools needed for assembly and operation. This also includes suitable personal protective equipment.



NOTE:

BLAX2-M includes the charger and the battery pack.

BLAX2-M-0 does not include the charger and the battery pack.



WARNING!



Wear protective gloves for this assembly work and always lay the product on a flat and stable surface while assembling.



Follow the assembly instructions step-by-step and use the pictures provided as a visual guide to easily assemble the product!

Do not insert the battery pack before the power tool is completely assembled or adjusted!

INSTALLING THE BLOWER TUBE



WARNING!

To avoid serious personal injury and damage to the unit, shut the unit off before removing or installing an attachment.

Align and insert the blower tube. Make sure the blower tube release button snaps into the slot on the blower tube (Fig.2).

INSTALLING/REMOVING THE BATTERY PACK

To install:

Align and slide the battery pack into the docking port until it is locked in place (Fig.3).

To remove:

Press the unlock button on battery pack and remove the battery pack from the product .

OPERATION



WARNING!

Inspect the tool for complete installation. Any missing, damaged or misplaced may cause serious injury.

Wear protective equipments at all times while operating the power tool.

SWITCHING ON/OFF

Hold the product as in working condition.

To start the product, either press the on/off switch to turn the product on or dial the cruise control.

Dialing the cruise control clockwise locks the on/off switch and keeps the machine at a constant speed.

To switch the product off, dial the cruise control counterclockwise to the end can automatically release the on/off switch and stop the product. If you starts the product without using cruise control, just release the on/off switch (Fig.4).



NOTE:

The product will continue to work for some time even after the motor has been switched off! Wait until it comes to a complete stop before putting the product down!

ADJUSTING BLOWING SPEED

Either press the on/off switch or dial the cruise control clockwise can change the blower speed.

OPERATING HOURS

Only operate the product at reasonable hours - not early in the morning, late at night or on weekends/ public holidays when people might be disturbed. Inform yourself about local restrictions.

GENERAL

1. Double check that accessories or application tools are properly fixed.
2. Always hold the product on its handle. Keep the handle dry and clean to ensure safe support.
3. Ensure that the air vents are always unobstructed and clear. Clean them if necessary with a soft brush. Blocked air vents may lead to overheating and damage the product.
4. Switch the product off immediately if you are disturbed while working by other people entering the working area. Always let the product come to a complete stop before putting it down.
5. Do not overwork yourself. Take regular breaks to ensure you can concentrate on the work and have full control over the product.
6. Before switching the product on, check whether it has been assembled correctly and all the moving parts are running smoothly!
7. While working, ensure that the product does not strike hard objects, as this can cause damage.
8. Do not blow any solid bodies such as stones, branches, pieces of branch or similar.
9. We recommend slightly dampening surfaces in dusty conditions or using a mister attachment.



NOTE:

The risk of the operation may occur, such as the sharp tree branches may cut the user's skin, the blade of the unit may hurt the user's body. Always wear eye, hearing, hand, foot and body protection to reduce the risk of injury when operating this unit.

BLOWING

1. Before blowing, loosen leaves that are stuck to the ground using a broom or rake.
2. Hold the tube approximately 3.9inch(10cm) above the ground and walk slowly forward using a sweeping motion from side to side.
3. Direct the air stream away from yourself.
4. Ensure that you do not stir up any heavy objects and hurt somebody or damage something.



NOTE:

When the blower vibrates abnormally, immediately shut off the unit. Abnormal vibration often shows a mechanical problem and continues use could result in injury or property damage.

CHARGING THE BATTERY PACK



WARNING!

This Lithium-Ion battery pack is shipped partially charged. Fully charge the battery pack before using it for the first time.



NOTE:



Charge batteries at a ambient temperature of 32°F-104°F (0°C-40°C) and always store batteries at a ambient temperature of 32°F-77°F (0°C-25°C).

1. Charge the Lithium-Ion battery pack only with the correct charger.
2. Connect the charger to a power supply, the light indicator of the charger turns red.
3. Align the raised ribs of the battery pack with the slot in the charger.
4. Insert the battery pack into the charger, the light indicator of the charger turns green and it flashes (Fig.5).
5. The charger will communicate with the battery pack to evaluate the condition of the battery pack.
6. It is fully charged that the four lights of the battery turn on. Disconnect the power supply from the charger. Remove battery pack from the charger.

CHARGING INDICATOR

Press the light button on the battery pack to check whether it needs to charge (Fig.6) .

Lights			Status
Lighted	Off	Blinking	
			The battery is at full capacity.
			The battery is at 75% capacity.
			The battery is at 50% capacity and requires charging.

	<p>The battery is at 25% capacity and requires charging soon.</p>
	<p>The battery is less than 5% capacity and requires charging immediately.</p>



WARNING!

Malfunctions may occur when the four lights blinking in turns.

OVERHEAT PROTECTION

When the tool/battery is overheated, the tool stops automatically. In this situation, let the power tool/battery cool before turning the tool on again.

OVERDISCHARGE PROTECTION

When the battery capacity is not enough, the tool stops automatically. In this case, remove the battery from the tool and charge the battery.

MAINTENANCE



WARNING:

Always switch the product off, remove the battery pack and let the product cool down before performing cleaning and maintenance work!

Always wear eye, hearing, hand, foot and body protection to reduce the risk of injury when operating this unit.

Only perform cleaning and maintenance work according to these instructions! All further works must be performed by a qualified specialist!

And only use specified spare parts for replacement.

CLEANING

- Switch the product off, pull out the battery pack from the product.
- Clean up debris from blower tube.
- Remove wood chips and other debris from air vents.

- Use a small brush to clean the outside of the unit. Do not use strong detergents. Household cleaners that contain aromatic oils such as pine and lemon, and solvents such as kerosene, can damage plastic.
- Wipe off any moisture with a soft cloth. The tool should never come in contact with water.

TRANSPORT

- Clean the product as described above.
- Always carry the product by its handle.
- Protect the product from any heavy impact or strong vibrations which may occur during transportation in vehicles.
- Secure the product to prevent it from slipping or falling over, damage or injury.

STORAGE

- Clean the product as described above.
- Store the product and its accessories in a dark, dry, frost-free, well-ventilated place.
- Always store the product in a place that is inaccessible to children. The ideal storage temperature is between 50°F(10°C) and 86°F(30°C).
- We recommend using the original package for storage or covering the product with a suitable cloth or enclosure to protect it against dust.



NOTE:

To prolong battery life, never store battery pack in a completely discharged condition. Make sure the battery pack is charged once per year or when the LED indicator shows only one light.

DISPOSAL

Waste product should not be disposed of with household waste. Please recycle where facilities exist. Check with your local authority or retailer for recycling advice.



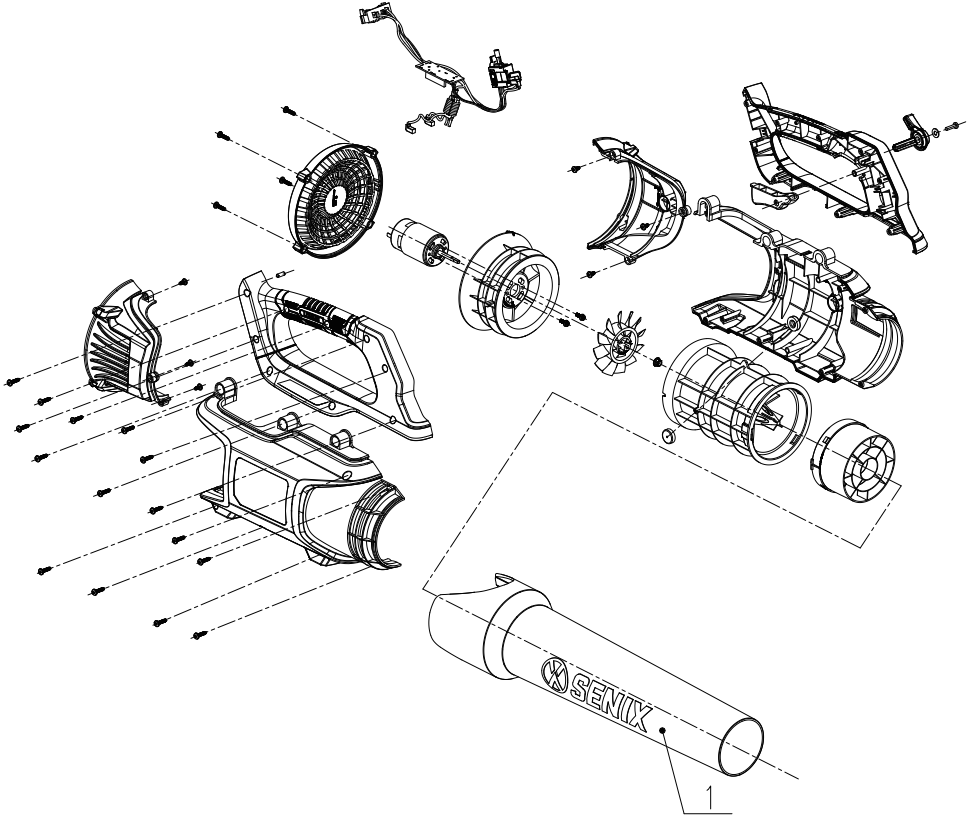
Electrical products should not be discarded with household products. Used electrical products must be collected separately and disposed of at collection points provided for this purpose. Talk with your local authorities or dealer for advice on recycling.

TROUBLESHOOTING

Suspected malfunctions are often due to causes that the users can fix themselves. Therefore, check the product using this section. In most cases the problem can be solved quickly.

PROBLEM	POSSIBLE CAUSE	SOLUTION
Product does not start	Battery pack not properly attached	Attach properly
	Battery pack capacity too low	Remove and charge battery pack
	Battery pack damaged	Check by a specialist electrician
	On/off switch not set on ON position	Refer to chapter "SWITCHING ON/OFF"
Product does not reach full power	Battery pack capacity too low	Charge battery pack
	Air vents are blocked	Clean the air vents
Vibration or noise is excessive	Bolts/nuts are loose	Tighten bolts/nuts
Product suddenly stops	Battery pack capacity too low	Remove and charge battery pack
	Battery too hot	Remove battery pack and let it cool down

PARTS



No.	Part #	Description	Qty.
22	202196000003	Blower tube	1

WARRANTY

LIMITED TWO-YEAR WARRANTY

2-year limited warranty on all Senix X2 series outdoor battery powered equipment and charger. 2-year limited warranty on all Senix X2 batteries.*

FOR TWO YEARS from the original date of retail purchase this Senix product is warranted against defects in materials or workmanship on power tools and chargers. Defective product will receive free repair.*

FOR TWO YEARS from the original date of retail purchase this Senix product is warranted against defects in materials or workmanship on batteries. Defective product will receive free repair.*

This warranty does not cover normal wear of parts and components such as cutting chain, line or blades nor does this warranty cover product transportation cost for warranty or service.

Warranty is subject to the following conditions:

- Warranty applies to the original purchaser at retail and is not transferrable*
- Warranty Registration at www.senixtools.com
- The tool has not been misused, abused, neglected, altered, modified or repaired by anyone other than an authorized service center
- Only genuine Senix accessories have been used with or on this product
- The tool has been subjected to normal wear and tear
- The tool has not been used for trade or professional purposes
- The tool has not been used for rental purposes
- This warranty only covers defects arising under normal usage and does not cover any malfunction, failure or defect resulting from misuse, abuse (including overloading the product, exposure to water or rain) accidents, neglect or lack of proper installation and improper maintenance or storage.

To locate your nearest Senix service provider call toll free at 800-261-3981 or email us at service@senixtools.com.

Additional Limitations

Any implied warranty granted under state law, including warranties of merchantability or fitness for a particular purpose, are limited to three years from the date of purchase on power tools and chargers and seven years on batteries. The manufacturer is not responsible for direct, indirect, incidental or consequential damages. Some states and provinces do not allow limitations on how long an implied warranty lasts and/or do not allow the exclusion or limitation of incidental damages, so the above limitations and exclusions may not apply to you. This warranty gives you specific legal rights, and you may also have other rights which vary from state to state or province to province.

The YAT USA declines any responsibility in regard to civil liability arising from abusive use or not in conformity with proper use and maintenance of the machine as described in the operator's manual.

YAT USA is not responsible for direct, indirect, incidental or consequential damages.

After the purchase, the manufacturer recommends proper maintenance of the machine and to read the operator's manual before using the machine.

*Original purchase receipt may be required for proof of purchase

For customer service contact us toll free at 1-800-261-3981 or Senixtools.com.

YAT USA, Inc. 6441 Hendry Rd. Suite A Charlotte, NC. 28269

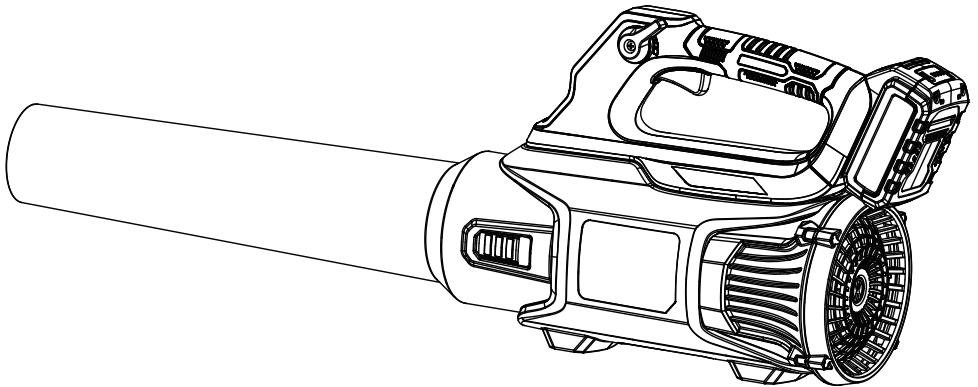


CON IONES DE LITIO DE 20V MÁX SOPLADOR DE VENTILADOR AXIAL INALÁMBRICO

Manual del operador

Modelo: BLAX2-M

BLAX2-M-0

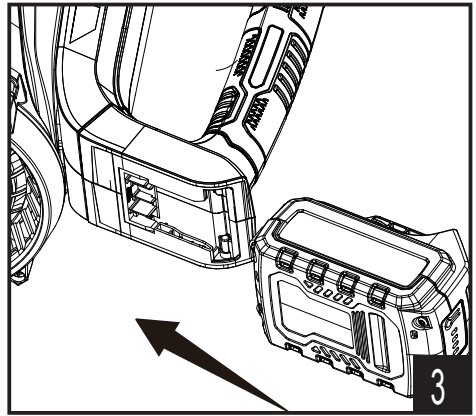
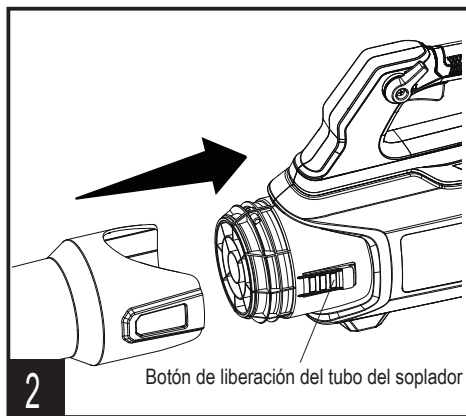
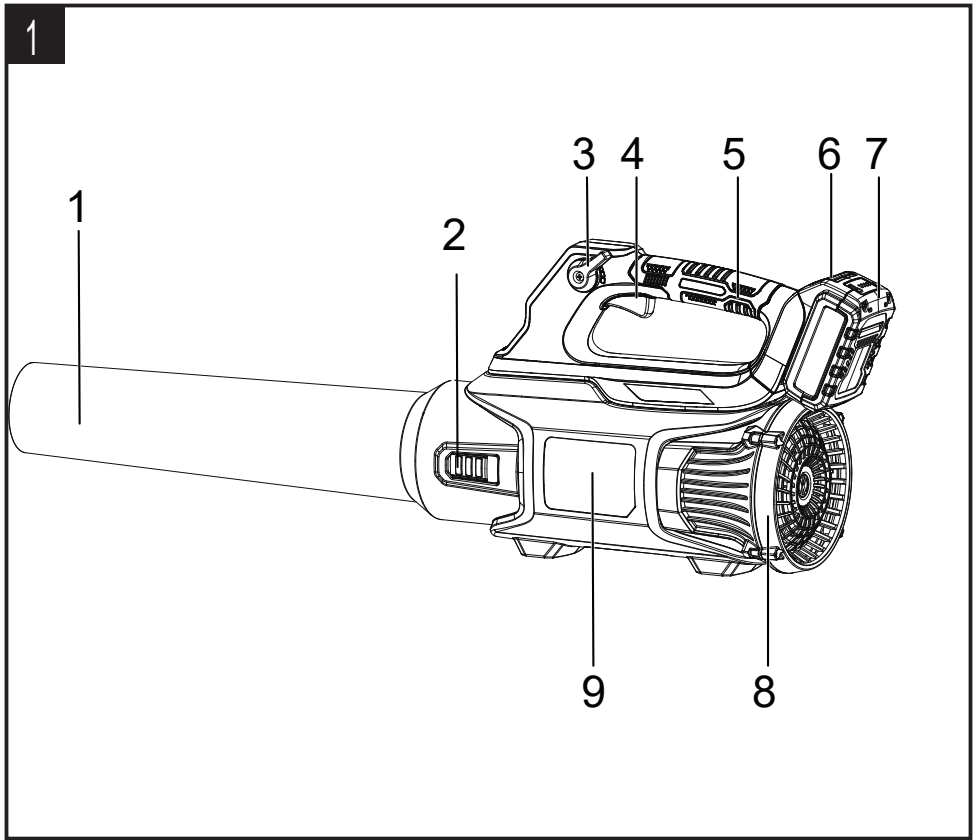


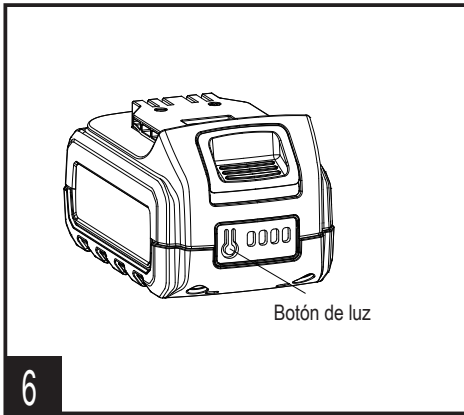
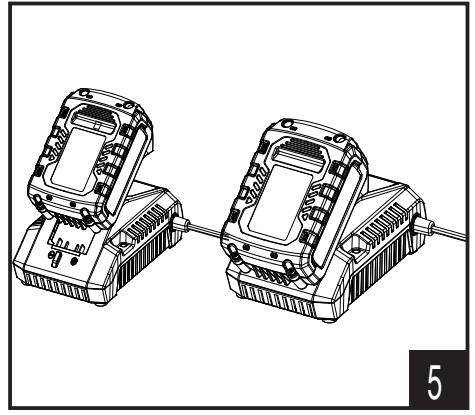
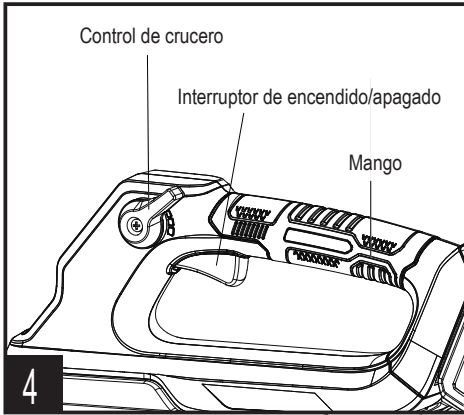
Para el servicio de atención al cliente, llame al 1-800-261-3981 o envíe un email a:

Service@senixtools.com

GUARDE ESTE MANUAL PARA FUTURAS CONSULTAS.

INSTRUCCIONES ORIGINALES





ÍNDICE

SEGURIDAD Y SÍMBOLOS INTERNACIONALES	20
INSTRUCCIONES DE SEGURIDAD	21
CONOZCA SU UNIDAD	27
ESPECIFICACIONES*	27
ENSAMBLAJE	28
OPERACIÓN	28
MANTENIMIENTO	30
SOLUCIÓN DE PROBLEMAS	32
PIEZAS	33
GARANTÍA	34

SEGURIDAD Y SÍMBOLOS INTERNACIONALES

Este manual del operador describe la seguridad y los símbolos y pictogramas internacionales que pueden aparecer en este producto. Lea el manual del operador para obtener información completa sobre seguridad, montaje, operación y mantenimiento y reparación.



Precaución / Advertencia.



Para reducir el riesgo de lesiones, el usuario debe leer y entender el manual de instrucciones.



Use protección para los ojos



Use protección auditiva.



Use protección respiratoria.



No usar bajo la lluvia o en condiciones de humedad.



Use guantes de protección.



Use calzado robusto no resbaladizo.



No usar bajo la lluvia o en condiciones de humedad.



Mantenga a todos los transeúntes al menos a 50 pies (15 m) de distancia.



Los objetos lanzados pueden rebotar y causar lesiones personales o daños a la propiedad.



No deseché los paquetes de baterías en los ríos ni los sumerja en agua.



No arroje los paquetes de baterías al fuego. Explotarán y causarán lesiones.



Use y guarde la batería a una temperatura inferior a 122°F (50 °C).



No desensamble, aplaste o caliente por encima de los 212°F (100°C). Nunca exponga la batería a microondas o altas presiones.



Para uso solo en interiores. Utilice el cargador de batería únicamente en interiores.

INSTRUCCIONES DE SEGURIDAD

¡ADVERTENCIA!

Este producto puede exponerlo a productos químicos, incluido el plomo, un producto químico químico, cuyos efectos son reconocidos por el Estado de California por causar cáncer, defectos de nacimiento u otros daños reproductivos. Para mayor información, visite www.P65Warnings.ca.gov.

¡ADVERTENCIA!

Parte del polvo creado por el lijado eléctrico, el aserrado, la molienda, la perforación y otras actividades de construcción contienen sustancias químicas que el Estado de California reconoce que causan cáncer, defectos de nacimiento u otros daños reproductivos. Algunos ejemplos de estos productos químicos son: plomo de pinturas a base de plomo, sílice cristalina de ladrillos y cemento y otros productos de albañilería y arsénico y cromo de madera tratada químicamente.

Su riesgo de estas exposiciones varía, dependiendo de la frecuencia con la que realice este tipo de trabajo. Para reducir su exposición a estos productos químicos:

trabaje en un área bien ventilada con equipos de seguridad aprobados, como aquellas máscaras anti-polvo especialmente diseñadas para filtrar partículas microscópicas.

ADVERTENCIAS DE SEGURIDAD GENERALES PARA HERRAMIENTAS ELÉCTRICAS

¡ADVERTENCIA!

Cuando se utilicen aparatos eléctricos de jardinería, deben seguirse siempre las precauciones básicas de seguridad para reducir el riesgo de incendio, descarga eléctrica y lesiones personales, incluyendo las siguientes:

GUARDE ESTAS INSTRUCCIONES Y REVÍSELAS CON FRECUENCIA ANTES DE USARLAS E INSTRUIR A OTROS.

- Mantenga a los niños alejados
 - Todos los visitantes deben mantenerse alejados del área de trabajo.
- Vístase correctamente - No use ropa suelta o joyas. Estas pueden quedar atrapadas en las piezas móviles. Se recomienda el uso de guantes de goma y calzado resistente cuando se trabaje al aire libre. Use protección para contener el pelo largo.
- Use gafas de seguridad - Siempre

use mascarilla facial o antipolvo si la operación es polvorista.

- Use protección auditiva personal adecuada durante el uso: bajo algunas condiciones y duración del uso, el ruido de este producto puede contribuir a la pérdida de audición.
- Utilice el aparato correcto - No utilice el aparato para ningún trabajo que no sea para el que está destinado.
- Desconecte el aparato - Desconecte el aparato de la red eléctrica cuando no esté en uso, antes de realizar el mantenimiento, cuando cambie los accesorios como las cuchillas, y similares.
- Compruebe las piezas dañadas - Antes de seguir utilizando el soplador de hojas, se debe comprobar cuidadosamente una protección u otra pieza que esté dañada para determinar que funcionará correctamente y realizará su función prevista. Compruebe el alineamiento de las piezas móviles, el atascamiento de las piezas móviles, la ruptura de piezas, montaje o cualquier otra condición que pueda afectar su operación. Un protector u otra pieza que esté dañada debe repararse o reemplazarse adecuadamente, llame a nuestra línea de ayuda de servicio al cliente para obtener ayuda.
- Iluminación: solo opere el soplador a la luz del día o con buena luz artificial.
- No se estire para alcanzarlo - Mantenga su posición de pie y su equilibrio en todo momento.
- No usar en la lluvia.
- Evite ambientes peligrosos: no use el soplador en lugares lluviosos, húmedos o mojados. No opere el soplador en atmósferas gaseosas o explosivas. Los motores en estas herramientas normalmente chispean, y las chispas pueden encender humos.
- Evite el arranque involuntario: no transporte el soplador con el dedo en el interruptor. Asegúrese de que el gatillo del interruptor esté en la posición de bloqueo o apagado antes de insertar el paquete de la batería.
- No aplique la fuerza - Hará mejor su trabajo y con menos probabilidades de lesiones a la velocidad para la que ha sido diseñado.
- No se estire demasiado para alcanzarlo - Mantenga su posición de pie y su equilibrio en todo momento.
- Manténgase alerta - Vigile lo que

esté haciendo. Use el sentido común. No opere el aparato si se siente fatigado.

- Guarde los aparatos inactivos en el interior - Cuando no se utilicen, los aparatos deben guardarse en el interior, en un lugar seco y alto o bajo llave, fuera del alcance de los niños.
- Mantenga el soplador con cuidado: mantenga las protecciones y los mangos limpios para obtener el mejor rendimiento y reducir el riesgo de lesiones. Mantenga las asas secas, limpias y sin aceite o grasa.

ADVERTENCIAS DE SEGURIDAD DEL SOPLADOR

- El soplador ha sido diseñado para limpiar escombros ligeros y hojas de superficies duras, no para limpiar áreas con césped.
- Este soplador está diseñado para uso doméstico únicamente. El uso comercial de este producto está prohibido y anulará la garantía del fabricante.
- Evite arranques accidentales. Asegúrese que el interruptor esté en la posición de OFF (apagado) antes de conectar el paquete de baterías, recoger la herramienta o transportarla. Transportar el

aparato con el dedo en el interruptor o en el aparato con energía, con el interruptor encendido invita a accidentes.

- Desconecte la batería del aparato antes de realizar cualquier ajuste, cambiar accesorios o almacenar el aparato. Estas medidas de seguridad preventivas reducen el riesgo de arrancar la herramienta eléctrica accidentalmente.
- Cuando utilice la unidad, nunca apunte la boquilla de soplado hacia las personas o mascotas, ni hacia las ventanas. Tenga especial cuidado al soplar residuos cerca de objetos sólidos, como árboles, automóviles y paredes.
- Asegúrese de fijar la unidad cuando la transporte.
- Nunca rocíe o moje el equipo con agua ni ningún otro líquido. Limpie la unidad después de cada uso como se describe en la sección de limpieza y almacenamiento.
- Inspeccione cuidadosamente su aparato antes de usarlo y siga todas las instrucciones de la etiqueta y las marcas.
- Mantenga las partes de su cuerpo alejadas de cualquier parte móvil y de todas las superficies calientes de la unidad.
- No coloque ningún objeto en las

aberturas de la herramienta. No utilice la herramienta con ninguna abertura bloqueada; mantenga las aberturas libres de polvo, pelusa, cabello o cualquier otro objeto que pueda reducir el flujo de aire.

- Examine el área de trabajo antes de cada uso. Retire todos los objetos que pudieran salir despedidos o que se puedan enganchar en la máquina, como piedras, vidrios rotos, clavos, alambres o cuerdas.

El servicio del producto debe ser realizado únicamente por personal de reparación calificado. El servicio o mantenimiento realizado por personal no calificado podría resultar en lesiones al usuario o daños al producto.

- Nunca haga funcionar la unidad sin el equipo adecuado conectado. Asegúrese siempre de que el tubo del soplador esté instalado correctamente.
- Siempre agarre el mango cuando opere la unidad, solo opere la máquina en su orientación prevista.

ADVERTENCIAS DE SEGURIDAD DEL PAQUETE DE BATERÍAS Y DEL CARGADOR DE BATERÍAS

- Recargue solo con el cargador

especificado por el fabricante.

Un cargador adecuado para un tipo de paquete de batería podría crear un riesgo de incendio si se usa con otro paquete de batería distinto.

- Use los aparatos solo con los paquetes de batería específicamente designados. El uso de cualquier otro paquete de batería puede generar riesgo de lesiones e incendio.



¡ADVERTENCIA!

Utilice solo el siguiente tipo y tamaño de batería: B25X2/B50X2.

- Cuando el paquete de batería no esté en uso, manténgalo alejado de otros objetos metálicos como clips, monedas, llaves, clavos, tornillos u otros objetos pequeños de metal, que puedan hacer una conexión entre una terminal y otra. Un cortocircuito en las terminales de la batería podría causar quemaduras o incendios.
- En condiciones extremas, el líquido podría ser eyectado de la batería; en ese caso, evite el contacto. Si hay contacto accidental, enjuague con agua. Si el líquido entrara en los ojos, busque ayuda médica. El líquido eyectado de la batería

puede causar irritación o quemaduras. (Este consejo se considera correcto para los tipos de pilas de iones de litio, plomo, ácido y NiMh, NiCd convencionales. Si este consejo es incorrecto para un diseño de celda que difiere de estos, entonces se puede sustituir por el consejo correcto).

- No use el paquete de batería o la herramienta si está dañada o modificada. Las baterías dañadas o modificadas pueden tener un comportamiento impredecible que puede resultar en incendios, explosiones o riesgo de lesiones.
- No exponga el paquete de batería o la herramienta al fuego o a temperaturas excesivas. La exposición al fuego o a temperaturas superiores a 266 °F (130 °C) puede causar explosiones.
- Siga todas las instrucciones de carga y no cargue el paquete de batería el aparato fuera del rango de temperatura especificado en las instrucciones. La carga inadecuada o a temperaturas que excedan el rango especificado puede dañar la batería e incrementar el riesgo de incendio.
- No modifique ni intente reparar el aparato o el paquete de baterías (según corresponda) excepto

como se indica en las instrucciones de uso y cuidado.

EMERGENCIA

Familiarícese con el uso de este producto mediante este manual de instrucciones. Memorice las instrucciones de seguridad y sígalas al pie de la letra. Esto ayudará a prevenir riesgos y peligros.

1. Siempre esté alerta cuando utilice este producto para que pueda reconocer y manejar los riesgos a tiempo. Una intervención rápida puede prevenir lesiones graves y daños a la propiedad.
2. Apague el producto y retire el paquete de batería si hay cualquier mal funcionamiento. Asegúrese de que el producto sea revisado por un profesional calificado y que sea reparado, si es necesario, antes de volver a operarlo.

RIESGOS RESIDUALES

Incluso si usa este producto de acuerdo con todos los requisitos de seguridad, siempre existen posibles riesgos de lesiones y daños. La estructura y el diseño de este producto pueden dar lugar a los siguientes peligros:

1. Problemas de salud debidos a vibraciones si el producto se usa

durante un largo período de tiempo o no recibe el correcto manejo y mantenimiento.

2. Lesiones y daños a la propiedad debido a accesorios rotos o al impacto repentino de objetos ocultos durante el uso.
3. Peligro de lesión y daño a la propiedad causados por objetos que salen despedidos.
4. El uso prolongado de este producto expone al operador a vibraciones y puede provocar la enfermedad del «dedo blanco». Para reducir el riesgo, use guantes y mantenga las manos calientes. Si aparece alguno de los síntomas del «dedo blanco», consulte a un médico inmediatamente.
Los síntomas del «dedo blanco» son: entumecimiento, pérdida de sensibilidad, hormigueo, pinchazos, dolor, pérdida de fuerza, cambios en el color o el estado de la piel. Estos síntomas normalmente aparecen en los dedos, las manos o las muñecas. El riesgo aumenta a bajas temperaturas.



¡ADVERTENCIA!

¡Este producto genera un campo electromagnético durante el funcionamiento! ¡Este campo puede interferir en algunas circunstancias

con implantes médicos activos o pasivos! Para reducir el riesgo de lesiones graves o mortales, recomendamos a las personas con implantes médicos que consulten a su médico y al fabricante del implante antes de operar este producto.

CONSERVE ESTAS INSTRUCCIONES

CONOZCA SU UNIDAD

APLICACIONES

Modelo: BLAX2-M

Como soplador:

Soplar hojas, desechos de jardín como pasto, ramitas y agujas de pino.

1	Tubo de soplado
2	Botón de liberación del tubo del soplador
3	Control de cruceo
4	Interruptor de encendido/apagado
5	Mango
6	Botón de desbloqueo del paquete de baterías
7	Paquete de batería
8	Cubierta de entrada de aire
9	Carcasa



NOTA:

El BLAX2-M-0 no incluye el cargador ni el paquete de batería.

ESPECIFICACIONES*

Modelo	BLAX2-M	
Voltaje de entrada	18V c.c.	
Velocidad sin carga	0-16800RPM	
Velocidad máxima del viento	80MPH	
Volumen máximo de viento	350CFM	
Peso (sin paquete de batería)	4.63lbs	
Modelo de batería para la opción	B25X2	B50X2
Tensión nominal	18V	18V
Capacidad nominal	2.5Ah	5.0Ah
Peso	336 gramos	649 gramos
Modelo del cargador	CHX2	
Entrada nominal	100-240 V ~ 50 / 60Hz	
Salida nominal	21 V, 2000 mA	
Tiempo de carga (con batería de 2.5 Ah)	85 mins	
Tiempo de carga (con batería de 5.0 Ah)	130 mins	
Clase de protección (para cargador)	/ II	
Peso	340 gramos	

Modelo	BLAX2-M-0
Voltaje de entrada	18V c.c.
Velocidad sin carga	0-16800RPM
Velocidad máxima del viento	80MPH
Volumen máximo de viento	350CFM
Peso (sin paquete de batería)	4.63lbs
Modelo de batería	No incluido
Modelo del cargador	No incluido

ENSAMBLAJE

1. Desempaque todas las piezas y colóquelas en una superficie llana y estable:
2. Retire todos los materiales de embalaje y dispositivos de envío, si corresponde.
3. El alcance de la entrega varía en función del país y la variante adquirida:
Modelo de BLAX2-M-0
 - Soplador x1
 - Tubo del soplador x1
 - Manual de instrucciones x1
4. Si ve que faltan partes o se ve dañado, no use el producto y póngase en contacto con el distribuidor. El uso de un producto incompleto o dañado representa un peligro para las personas y la propiedad.
5. Asegúrese de que tiene todos los accesorios y herramientas necesarios para el ensamblaje y la operación. Esto también incluye el uso de equipos de protección personal adecuados.



NOTA:

El BLAX2-M incluye el cargador y el paquete de batería.

El BLAX2-M-0 no incluye el cargador ni el paquete de batería.



¡ADVERTENCIA!



Póngase guantes de protección para este trabajo de ensamblaje y coloque siempre el producto sobre una superficie plana y estable cuando lo esté montando.



Siga las instrucciones de ensamblaje paso a paso y use las imágenes que se indican como guía visual para ensamblar fácilmente el producto.

¡No inserte la batería antes de que la herramienta eléctrica esté completamente ensamblada o ajustada!

INSTALACIÓN DEL TUBO DEL SOPLADOR



¡ADVERTENCIA!

Para evitar lesiones personales graves y daños a la unidad, apague la unidad antes de eliminar o instalar un accesorio.

Alinee e inserte el tubo del soplador. Asegúrese de que el botón de liberación del tubo del soplador encaje en la ranura del tubo del soplador (Fig. 2).

INSTALAR/RETIRAR EL PAQUETE DE BATERÍA

Para instalar:

Alinee y deslice la batería en el puerto de acoplamiento de la batería hasta que esté bloqueada en su posición (Fig.3).

Para retirar:

Presione el botón de desbloqueo del paquete de la batería y extraígalas del producto.

OPERACIÓN



¡ADVERTENCIA!

Inspeccione la herramienta para una instalación completa. Cualquier falta, daño o extravío puede causar lesiones graves.

Use equipos de protección en todo momento mientras opera la herramienta eléctrica.

APAGAR Y ENCENDER

Sostenga el producto como en condiciones de funcionamiento.

Para iniciar el producto, presione el interruptor de encendido/apagado para encender el producto o marque el control de crucero.

Al marcar el control de crucero en el sentido de las agujas del reloj, se bloquea el interruptor de encendido/apagado y se mantiene la máquina a una velocidad constante.

Para apagar el producto, marque el piloto automático en sentido contrario de las agujas del reloj, y el interruptor on/off se libera automáticamente y lo detiene. Si enciende el producto sin usar el control de crucero, simplemente suelte el interruptor de encendido/apagado (Fig.4).



NOTA:

¡El producto seguirá funcionando un rato después de que el motor se haya apagado! Espere a que el producto se detenga completamente antes de ponerlo en el suelo.

AJUSTE DE LA VELOCIDAD DE SOPLADO

Presione el interruptor de encendido/apagado o marque el control de crucero en el sentido de las agujas del reloj para cambiar la velocidad del soplador.

HORARIO DE FUNCIONAMIENTO

Use el equipo eléctrico solo en horas razonables, no temprano en la mañana ni tarde en la noche ni en fines de semana/días feriados públicos, ya que podría molestar a las personas. Infórmese sobre las restricciones locales.

GENERAL

1. Verifique que los accesorios o herramientas de aplicación estén correctamente colocados.
2. Siempre sujete el producto por su mango. Mantenga el mango seco y limpio para garantizar un soporte seguro.
3. Asegúrese de que las rendijas de ventilación estén siempre sin obstrucciones y despejadas. Limpie si es necesario con un cepillo suave. Las rendijas de ventilación bloqueadas podrían causar sobrecalentamiento y dañar el producto.
4. Apague el producto de inmediato si otras personas que entran al área de trabajo lo perturban mientras usted trabaja. Siempre espere a que el producto se detenga completamente antes de ponerlo en el suelo.
5. No trabaje en exceso. Tome pausas regulares para asegurar su concentración en el trabajo y el control total del producto.
6. Antes de encender el producto, verifique que se haya ensamblado correctamente y que todas las piezas móviles estén funcionando sin problema.
7. Al trabajar, asegúrese de que el producto no impacte objetos duros ya que podría dañarse.
8. No sople cuerpos sólidos como piedras, ramas o pedazos de ramas, piñas o similares.
9. Recomendamos humedecer ligeramente las superficies en condiciones polvorosas o usar un accesorio atomizador.



NOTA:

Hay riesgos como que las ramas afiladas de un árbol rasguen la piel del usuario, que la cuchilla de la unidad pueda lesionar el cuerpo del usuario. Use siempre protección para los ojos, oídos, pies y cuerpo, y reduzca así el riesgo de lesiones a la hora de operar esta unidad.

SOPLADO

1. Antes de soplar, suelte las hojas pegadas en el piso con una escoba o rastrillo.
2. Sostenga el tubo aproximadamente a 3.9 pulg. (10cm) por encima del suelo y camine lentamente hacia adelante haciendo movimientos de barrido de un lado al otro.
3. Dirija el flujo de aire hacia afuera, en sentido contrario a usted mismo.
4. Asegúrese de no revolver objetos pesados y lastimar a alguien o dañar algo.



NOTA:

Si el soplador vibra de una manera anormal, apague la unidad de inmediato. La vibración anormal suele indicar un problema mecánico y el uso continuo del aparato podría resultar en lesiones o daños a la propiedad.

CARGA DEL PAQUETE DE BATERÍA



¡ADVERTENCIA!

Este paquete de batería de iones de litio se envía parcialmente cargado. Cargue por completo el paquete de batería antes de usarlo por primera vez.











NOTA:

Cargue las baterías a una temperatura ambiente de 32 °F -104 °F (0 °C - 40 °C) y siempre guarde las baterías a una temperatura ambiente de 32 °F - 77 °F (0 °C - 25 °C).

1. Cargue el paquete de batería de iones de litio solo con el cargador indicado.
2. Conecte el cargador a una fuente de alimentación; el indicador luminoso del cargador se pondrá en rojo.
3. Alinee las ranuras levantadas del paquete de batería con la ranura en el cargador.
4. Inserte el paquete de batería en el cargador, la luz indicadora del cargador se enciende de color verde y parpadea (Fig. 5).
5. El cargador comunica con el paquete de batería para evaluar su condición.
6. Está completamente cargado cuando se encienden las cuatro luces de la batería. Desconecte el cargador del suministro de energía. Retire el paquete de batería del cargador.

INDICADOR DE CARGA

Presione el botón de luz en el paquete de la batería para comprobar si necesita cargarse (Fig.6).

Luces			Estatus
Iluminado	Apa- gado	Parpadeo	
			
			La batería está al máximo de capacidad.
			La batería está al 75% de capacidad.
			La batería está al 50% de capacidad y necesita cargarse.
			La batería está al 25% de capacidad y necesita cargarse pronto.
			La batería está a menos de 5% de capacidad y necesita cargarse pronto.



¡ADVERTENCIA!

Pueden ocurrir averías cuando las cuatro luces parpadean por turnos.

PROTECCIÓN CONTRA EL SOBRECALENTAMIENTO

Cuando la herramienta/batería se sobrecalienta, la herramienta se detiene automáticamente. En esta situación, deje que la herramienta eléctrica/batería se enfríe antes de volver a encenderla.

PROTECCIÓN CONTRA SOBRECARGA

Cuando la capacidad de la batería no es suficiente, la herramienta se detiene automáticamente. En este caso, retire la batería de la herramienta y cárguela.

MANTENIMIENTO



ADVERTENCIA:

¡Siempre apague el producto, desconecte el paquete de batería de la unidad y deje que el producto se enfríe antes de efectuar trabajos de mantenimiento o limpieza!

Use siempre protección para los ojos, oídos, pies y cuerpo, y reduzca así el riesgo de lesiones a la hora de operar esta unidad.

¡Realice los trabajos de limpieza y mantenimiento conforme a estas instrucciones únicamente! Cualquier otro trabajo debe ser realizado por un especialista cualificado.

Y solo use las piezas de repuesto especificadas para el reemplazo.

LIMPIEZA

- Apague el producto, extraiga el paquete de la batería del producto.
- Limpie los escombros del tubo del soplador.
- Retire las astillas de madera y otros desechos de las rejillas de ventilación.
- Utilice un cepillo pequeño para limpiar el exterior de la unidad. No use detergentes fuertes. Los limpiadores domésticos que contienen aceites aromáticos, como pino y limón, y los solventes tales como el queroseno, pueden dañar el plástico.
- Limpie cualquier traza de humedad con un paño suave. La herramienta nunca deberá entrar en contacto con el agua.

TRANSPORTE

- Limpie el producto de la manera antes mencionada.
- Siempre transporte el producto sujetándolo por las asas.
- Proteja el producto contra cualquier impacto o vibración intensa que pueda ocurrir durante el transporte en un vehículo.
- Asegure el producto para evitar que este resbale o se caiga y para evitar daños o lesiones.

ALMACENAMIENTO

- Limpie el producto de la manera antes mencionada.
- Guarde el producto y sus accesorios en un lugar oscuro, seco, libre de heladas y bien ventilado.
- Guarde siempre el producto en un lugar que no esté accesible a los niños. La temperatura ideal de almacenamiento está entre 50 °F (10 °C) y 86 °F (30 °C).
- Recomendamos el uso del paquete original para guardar o tapar el producto con un paño o caja para protegerlo del polvo.



NOTA:

Para prolongar la vida útil de la batería, nunca guarde el paquete de la batería en una condición completamente descargada. Asegúrese que el paquete de la batería se cargue una vez al año o cuando el indicador LED muestre solo una luz.

ELIMINACIÓN

El producto residual no se debe eliminar con los residuos domésticos. Reciclelo en las instalaciones disponibles. Consulte a sus autoridades locales o al distribuidor minorista para asesorarse sobre el reciclaje.



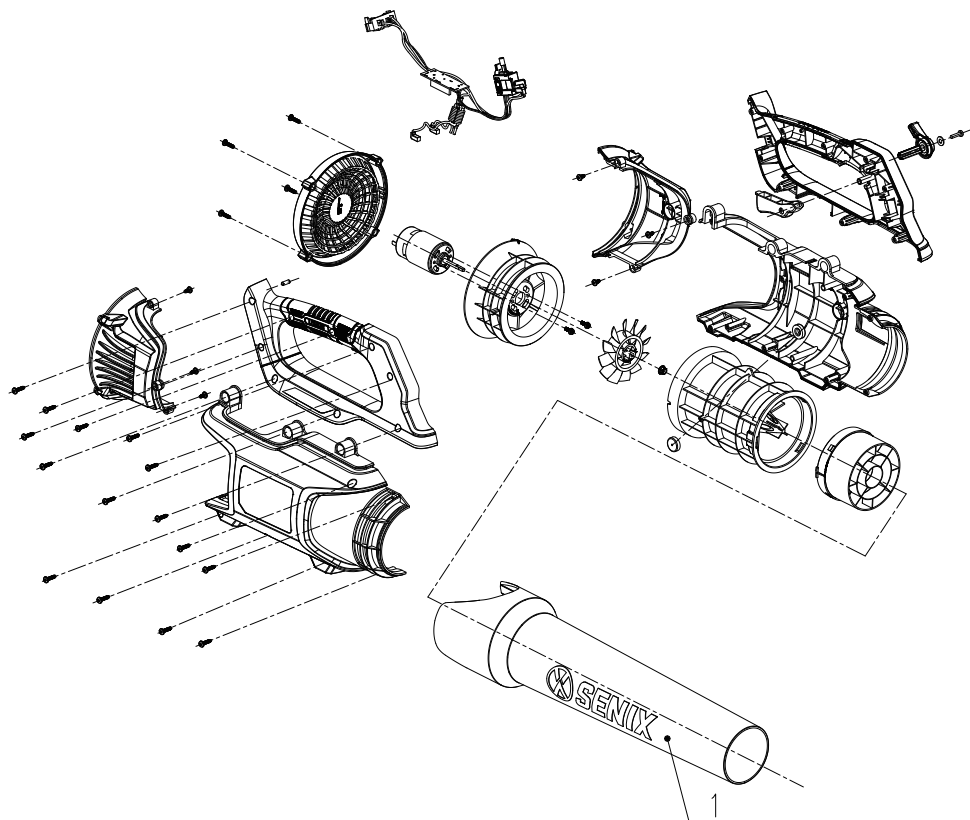
Los productos eléctricos no deben desecharse con los productos domésticos. Los productos eléctricos usados deben recogerse por separado y eliminarse en los puntos de recogida previstos a tal efecto. Consulte con sus autoridades locales o con el distribuidor para asesorarse sobre el reciclaje.

SOLUCIÓN DE PROBLEMAS

Las sospechas de mal funcionamiento a menudo se deben a causas que el usuario puede corregir por sí mismo. Por tanto, use esta sección para verificar el producto. En la mayoría de los casos el problema se puede resolver rápidamente.

PROBLEMA	POSIBLE CAUSA	SOLUCIÓN
El producto no se enciende	El paquete de batería no está correctamente acoplado	Fíjelo correctamente
	La capacidad del paquete de batería es demasiado baja	Retire y cargue el paquete de batería
	Paquete de batería dañado	Llévelo con un eléctrico especialista para que lo cheque
	El interruptor on/off no está en la posición ON	Consulte el capítulo "APAGAR Y ENCENDER"
El producto no alcanza su potencia total	La capacidad del paquete de batería es demasiado baja	Cargue el paquete de batería
	Las salidas de ventilación están bloqueadas	Limpie las salidas de ventilación
La vibración o el ruido son excesivos	Los pernos o las tuercas están flojos	Apriete los pernos o las tuercas
El producto se detiene de repente	La capacidad del paquete de batería es demasiado baja	Retire y cargue el paquete de batería
	La batería se sobrecalentó	Retire el paquete de batería y deje que se enfríe

PIEZAS



N.º	de pieza	Descripción	Cant.
22	202196000003	Tubo de soplado	1

GARANTÍA

GARANTÍA LIMITADA DE DOS AÑOS

Garantía limitada por 2 años en toda la serie Senix X2 de equipos para exteriores que funcionan con batería y cargador.

Garantía limitada de 2 años para todas las baterías Senix X2.*

Este producto Senix se garantiza DURANTE DOS AÑOS, a partir de la fecha original de compra en un comercio minorista, contra defectos de materiales o mano de obra en herramientas eléctricas y cargadores. El producto defectuoso se reparará gratuitamente.*

Este producto Senix se garantiza DURANTE DOS AÑOS, a partir de la fecha original de compra en un comercio minorista, contra defectos de materiales o mano de obra en baterías. El producto defectuoso se reparará gratuitamente.*

La presente garantía no cubre el desgaste normal de las partes y los componentes, como la cadena de corte, la línea o las cuchillas ni tampoco cubre esta garantía el costo de transporte del producto para garantía o servicio.

La garantía está sujeta a las siguientes condiciones:

- La garantía se aplica al comprador original en comercio minorista y no es transferible*
- Registro de garantía en www.senixtools.com
- La herramienta no se ha sometido a uso incorrecto, abuso, negligencia, alteración o modificación y no ha sido reparada fuera de un centro de servicio autorizado
- Solo se han utilizado accesorios originales de Senix con o en este producto
- La herramienta presenta un desgaste normal
- La herramienta no se ha utilizado con fines comerciales o profesionales
- La herramienta no se ha utilizado con fines de alquiler
- Esta garantía solo cubre defectos que ocurran bajo el uso normal y no cubre casos de mal funcionamiento, fallo o defecto que emanen de un uso incorrecto, abuso (incluyendo sobrecarga del producto, exposición al agua o la lluvia), accidentes, negligencia e instalación, mantenimiento o almacenamiento inadecuados.

Para localizar a su proveedor de servicios de Senix más cercano, llame gratis al 800-261-3981 o envíenos un correo electrónico a service@senixtools.com.

Limitaciones adicionales

Cualquier garantía implícita otorgada en virtud de las leyes estatales, incluidas las garantías de comerciabilidad o idoneidad para un propósito particular, se limita a tres años a partir de la fecha de compra para herramientas eléctricas y cargadores y siete años para baterías. El fabricante no asume ninguna responsabilidad por daños directos, indirectos, incidentales o consecuentes. Algunos estados y provincias no permiten limitaciones en cuanto a la duración de una garantía implícita o no permiten la exclusión o limitación de daños incidentales, por lo que es posible que las limitaciones y exclusiones anteriores no se apliquen a usted. Esta garantía le otorga derechos legales específicos, y usted también puede tener otros derechos que varían de un estado a otro o de una provincia a otra.

YAT USA no asume ninguna responsabilidad con respecto a la responsabilidad civil que emane de un uso abusivo o no conforme al uso y mantenimiento adecuados de la máquina, descritos en el manual del operador.

YAT USA no asume ninguna responsabilidad por daños directos, indirectos, incidentales o consecuentes.

Después de la compra, el fabricante recomienda el mantenimiento adecuado de la máquina y leer el manual del operador antes de utilizar la máquina.

*Se puede exigir un recibo de compra original como justificante de compra

Para acceder al servicio de atención al cliente, póngase en contacto con nosotros llamando al número gratuito 1-800-261-3981 o visitando Senixtools.com.

YAT USA, Inc. 6441 Hendry Rd. Suite A Charlotte, NC. 28269

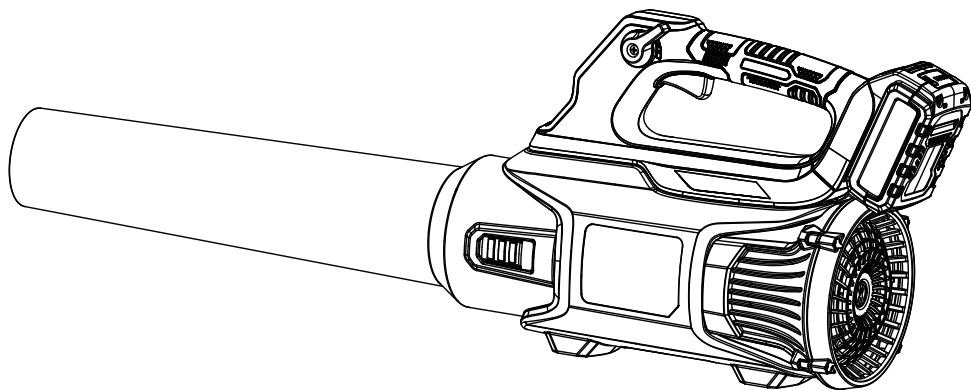


20 V MAX AU LITHIUM-ION SOUFFLEUR AXIAL SANS FIL

Manuel de l'utilisateur

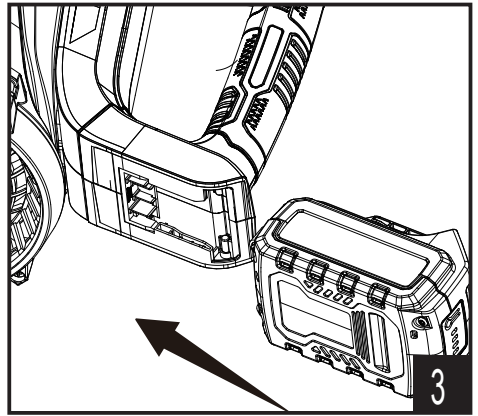
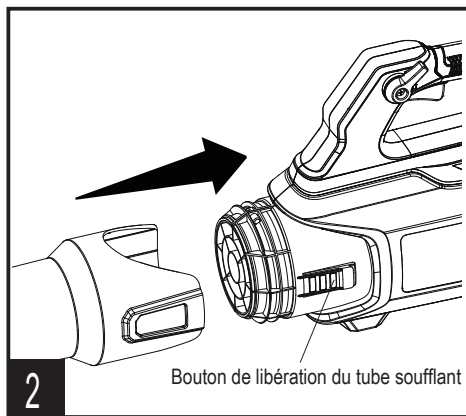
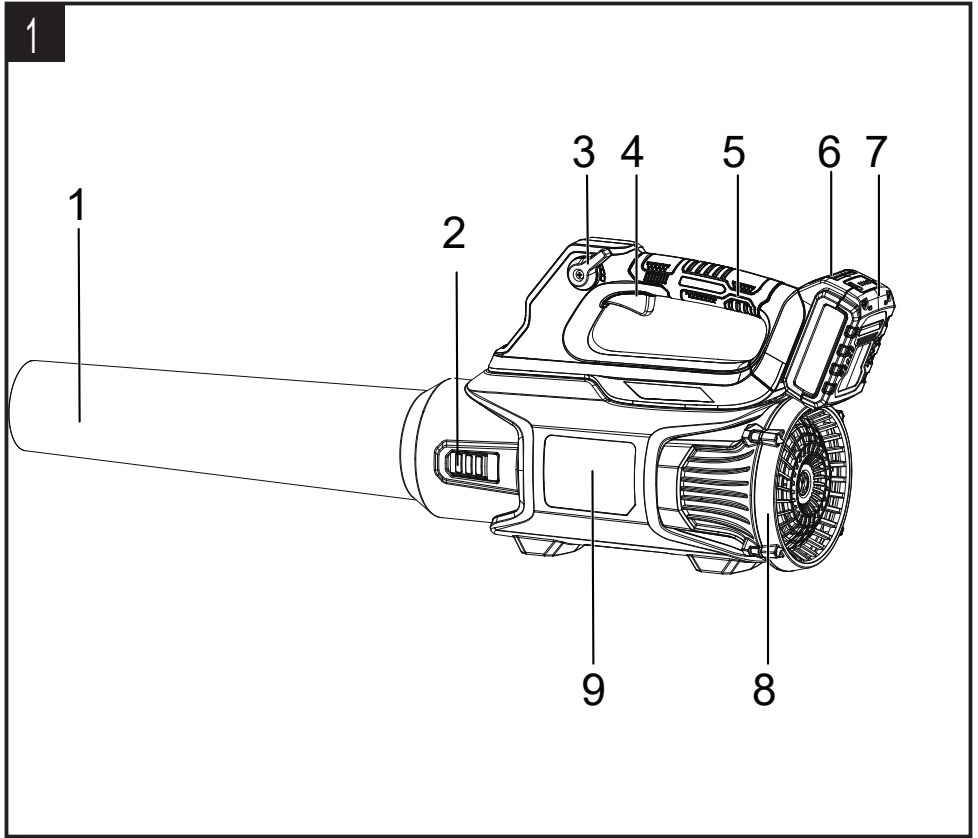
Modèle : BLAX2-M

BLAX2-M-0



Pour obtenir une assistance à la clientèle, veuillez appeler le 1-800-261-3981 ou envoyer un e-mail à :
Service@senixtools.com
CONSERVEZ CE MANUEL POUR TOUTE CONSULTATION ULTÉRIEURE.

INSTRUCTIONS ORIGINALES



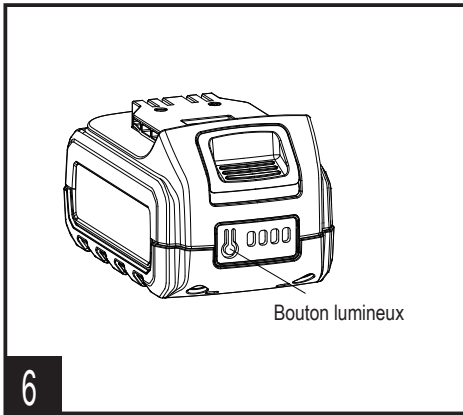
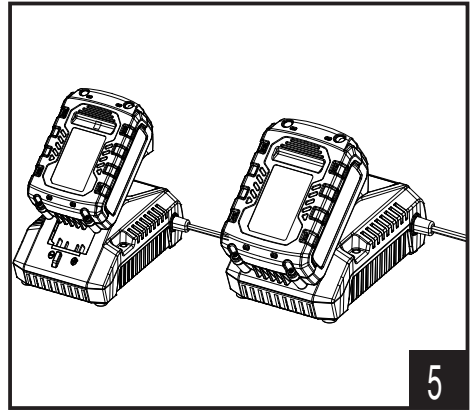
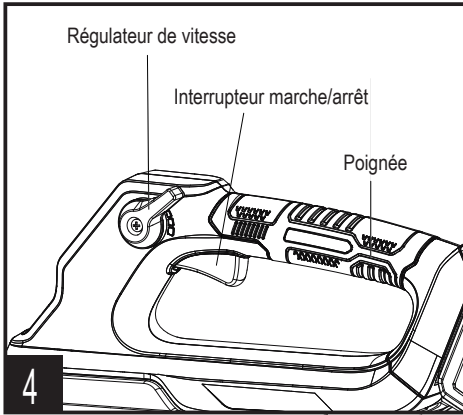


TABLE DES MATIÈRES

SÉCURITÉ ET SYMBOLES INTERNATIONAUX.....	38
INSTRUCTIONS DE SÉCURITÉ	39
DESCRIPTION DE VOTRE APPAREIL.....	45
SPÉCIFICATIONS*	45
ASSEMBLAGE	46
FONCTIONNEMENT	46
ENTRETIEN	48
GUIDE DE DÉPANNAGE	49
PIÈCES	50
GARANTIE	51

SÉCURITÉ ET SYMBOLES INTERNATIONAUX

L'explication des symboles de sécurité et internationaux décrit les symboles et pictogrammes de sécurité et internationaux susceptibles d'apparaître sur ce produit. Lisez le manuel de l'utilisateur pour obtenir des informations complètes sur la sécurité, l'assemblage, le fonctionnement, l'entretien et les réparations.



Attention / Avertissement.



Pour réduire le risque de blessures, l'utilisateur doit lire le manuel d'instructions.



Portez des lunettes de protection.



Portez une protection auditive.



Portez une protection respiratoire.



Ne pas utiliser sous la pluie ou dans des conditions humides.



Portez des gants de protection.



Portez des chaussures solides et antidérapantes.



N'utilisez pas cet appareil sous la pluie ou dans des conditions humides.



Assurez-vous que toutes les personnes restent à une distance d'au moins 50 pieds (15 m).



Des objets projetés peuvent ricocher et entraîner des blessures corporelles et des dégâts matériels.



Ne jetez pas la batterie dans les rivières ni immerger dans l'eau.



Ne jetez pas les blocs-batteries au feu. Ils exploseront et causeront des blessures.



Utilisez et rangez la batterie à une température inférieure à 122° F(50 °C).



Ne démontez pas la batterie, ne l'écrasez pas, ne la chauffez pas à une température supérieure à 212°F(100°C) ; n'exposez jamais la batterie aux micro-ondes ou à des pressions élevées.



Cet appareil est conçu pour un usage en intérieur uniquement. Utilisez uniquement le chargeur de batterie à l'intérieur.

INSTRUCTIONS DE SÉCURITÉ



AVERTISSEMENT !

Ce produit peut vous exposer à des produits chimiques, y compris le plomb, un produit chimique reconnu par l'État de Californie pouvant causer des cancers, des anomalies congénitales ou pouvant nuire à la reproduction. Pour plus d'informations, veuillez consulter www.P65Warnings.ca.gov



AVERTISSEMENT !

Certaines poussières engendrées par ponçage, sciage, meulage, perçage et d'autres travaux du domaine de la construction contiennent des substances chimiques considérées dans l'état de la Californie comme cancérigènes, tératogènes ou nocives pour les fonctions reproductrices. Liste non exhaustive de ces substances :

Le plomb provenant des peintures à base de plomb, la silice cristalline provenant des briques et du ciment et d'autres produits de maçonnerie, et l'arsenic et le chrome provenant du bois traité chimiquement.

Les risques engendrés par l'exposition à ces substances dépendent de la fréquence de ce type de travaux. Pour réduire votre exposition à ces

substances chimiques :

Travaillez dans des endroits bien aérés et en utilisant des équipements de sécurité homologuée, tels que des masques anti-poussières spécifiquement conçus pour filtrer les particules microscopiques.

AVERTISSEMENTS GÉNÉRAUX SUR LA SÉCURITÉ DES OUTILS ÉLECTRIQUES



AVERTISSEMENT !

Lors de l'utilisation d'appareils de jardinage électriques, des précautions de base doivent toujours être prises pour réduire les risques d'incendie, de choc électrique et de blessures corporelles, notamment les suivantes :

CONSERVEZ CES INSTRUCTIONS ET RELISEZ-LES FRÉQUEMMENT AVANT L'UTILISATION ET LORSQUE VOUS DONNEZ DES INSTRUCTIONS À D'AUTRES PERSONNES.

- Gardez les enfants éloignés - Toutes les autres personnes doivent être maintenues à distance de la zone de travail.
- Portez des vêtements appropriés - Ne portez pas de vêtements amples ni de bijoux. Car ils pourraient se prendre dans les pièces mobiles. Nous recommandons

d'utiliser des gants en caoutchouc et des chaussures appropriées lorsque vous travaillez à l'extérieur. Portez un couvre-chef protecteur pour maintenir les cheveux longs.

- Utilisez des lunettes de sécurité - Utilisez toujours un masque facial ou un masque anti-poussière si l'opération est poussiéreuse.
- Portez une protection auditive personnelle appropriée pendant l'utilisation – Dans certaines conditions et pendant la durée d'utilisation, le bruit de ce produit peut contribuer à la perte auditive.
- Utilisez le bon outil - N'utilisez pas l'appareil pour un travail autre que celui pour lequel il est destiné.
- Débranchez l'appareil - Débranchez l'appareil de l'alimentation électrique lorsqu'il n'est pas utilisé, avant tout entretien, lors du remplacement d'accessoires tels que les lames, etc.
- Vérifiez si l'outil ne comporte pas de pièce endommagée - Avant d'utiliser cet outil, toute pièce endommagée (carter ou autre composant) doit être soigneusement inspectée pour vérifier qu'elle pourra fonctionner normalement et remplir sa fonction prévue. Vérifiez l'alignement des pièces mobiles,

le mouvement des pièces mobiles, si des pièces sont cassées, le montage et toute autre condition qui pourrait affecter son utilisation. Une protection ou une autre pièce endommagée doit être correctement réparée ou remplacée, appelez notre service clientèle pour obtenir de l'aide.

- Éclairage – N'utilisez le ventilateur qu'à la lumière du jour ou sous un bon éclairage artificiel.
- Ne vous penchez pas trop - Restez toujours d'aplomb et gardez constamment un bon équilibre.
- N'utilisez pas l'outil sous la pluie.
- Évitez les environnements dangereux – N'utilisez pas le souffleur sous la pluie, dans des endroits humides ou mouillés. Ne faites pas fonctionner le souffleur dans des atmosphères gazeuses ou explosives. Les moteurs de ces outils produisent normalement des étincelles et les étincelles peuvent enflammer les fumées.
- Évitez les démarrages involontaires – Ne transportez pas le souffleur avec le doigt sur l'interrupteur. Assurez-vous que la gâchette de l'interrupteur est en position verrouillée ou désactivée avant d'insérer la batterie.
- Ne forcez pas l'outil - L'utilisation

d'un outil électrique approprié au travail à effectuer permet de réaliser ce travail plus efficacement, avec une sécurité accrue, et au rythme pour lequel l'outil a été conçu.

- Ne tentez pas de scier en risquant de perdre votre équilibre - Restez toujours d'aplomb et gardez constamment un bon équilibre.
- Restez vigilant(e) - Restez attentif(ve) à ce que vous êtes en train de faire. Faites preuve de bon sens. Ne faites pas fonctionner l'outil quand vous êtes fatigué(e).
- Rangez l'outil en intérieur - Lorsqu'ils ne sont pas utilisés, les appareils doivent être entreposés à l'intérieur, dans un endroit sec et élevé ou fermé à clé, hors de portée des enfants.
- Entretenez le souffleur avec soin
 - Gardez le protecteur et les poignées propres pour une meilleure performance et pour réduire le risque de blessure. Veillez à ce que les poignées restent propres, sèches et exemptes d'huile et de graisse.

AVERTISSEMENTS DE SÉCURITÉ CONCERNANT LE SOUFFLEUR

- Le souffleur a été conçu pour débarrasser les surfaces dures des

débris légers et des feuilles - il n'est pas destiné à nettoyer les surfaces gazonnées.

- Ce souffleur est destiné à un usage domestique uniquement L'utilisation commerciale de ce produit est interdite et annulera la garantie du fabricant.
- Évitez tout démarrage accidentel. Assurez-vous que l'interrupteur d'alimentation est en position d'arrêt avant de brancher la batterie, de ramasser ou de transporter l'appareil. Le fait de porter l'appareil avec le doigt sur l'interrupteur ou de mettre sous tension un appareil dont l'interrupteur est activé peut provoquer des accidents.
- Débranchez la batterie de l'appareil avant d'effectuer tout réglage, de changer d'accessoire ou de ranger l'appareil. Ces mesures de sécurité préventives réduisent le risque de démarrage accidentel de l'outil électrique.
- Lorsque vous utilisez l'appareil, ne dirigez jamais la buse soufflante dans la direction des personnes ou des animaux domestiques ou dans la direction des fenêtres. Soyez particulièrement prudent lorsque vous soufflez sur des débris à proximité d'objets solides, tels que des arbres, des automo-

biles et des murs.

- Veillez à bien fixer l'appareil lorsque vous le transportez.
- N'arrosez jamais l'appareil avec de l'eau ou tout autre liquide. Nettoyez l'appareil après chaque utilisation en procédant comme décrit dans la section sur le nettoyage et le rangement.
- Inspectez soigneusement votre appareil avant de l'utiliser et suivez toutes les instructions de l'étiquette et du marquage.
- Veillez à maintenir toutes les parties de votre corps éloignées du mécanisme de coupe et des surfaces chaudes.
- Ne placez aucun objet dans les ouvertures de l'outil. N'utilisez pas l'outil avec une ouverture obstruée ; gardez les ouvertures exemptes de poussière, de peluches, de cheveux ou de tout autre objet susceptible de réduire le débit d'air.
- Vérifiez la zone de travail avant chaque utilisation. Enlevez tous les objets tels que les pierres, le verre brisé, les clous, les fils métalliques ou les ficelles qui pourraient être projetés ou coincés dans l'outil.
- L'entretien du produit doit être effectué uniquement par un per-

sonnel de réparation qualifié. Tout service ou entretien effectué par un personnel non qualifié peut entraîner des blessures pour l'utilisateur ou endommager le produit.

- Ne faites jamais fonctionner l'appareil sans l'équipement approprié. Assurez-vous toujours que le tube du souffleur est correctement installé.
- Saisissez toujours la poignée lors de l'utilisation de l'appareil, n'utilisez l'appareil que dans l'orientation prévue.

AVERTISSEMENTS DE SÉCURITÉ CONCERNANT LA BATTERIE ET LE CHARGEUR DE BATTERIE

- Rechargez uniquement avec le chargeur spécifié par le fabricant. Un chargeur adapté à un type de batterie peut créer un risque d'incendie lorsqu'il est utilisé avec une autre batterie.
- N'utilisez les outils électriques qu'avec les batteries spécifiquement désignées. L'utilisation de toute autre batterie peut créer un risque de blessures et d'incendie.



AVERTISSEMENT !

Utilisez uniquement le type et la taille de batterie suivants : B25X2/ B50X2.

- Lorsque la batterie n'est pas utilisée, elle doit être rangée loin de tout objet métallique, tel que trombone, pièce de monnaie, clef, clou, vis et tout autre petit objet métallique qui risquerait de mettre en contact ses bornes. La mise en court-circuit des bornes de la batterie peut provoquer des brûlures ou un incendie.
- Dans des conditions abusives, un liquide peut être éjecté de la batterie ; évitez tout contact. En cas de contact accidentel, rincez à grande eau. En cas de contact avec les yeux, vous devez en outre consulter un médecin. Le liquide éjecté de la batterie peut provoquer des irritations ou des brûlures. (Ces conseils sont considérés comme corrects pour les types de cellules classiques NiMh, NiCd, plomb-acide et lithium-ion. Si ce conseil est incorrect pour une conception de cellule qui diffère de celles-ci, alors le conseil correct peut être substitué).
- N'utilisez pas une batterie ou un outil qui est endommagé ou modifié. Les batteries endommagées ou modifiées peuvent présenter un comportement imprévisible entraînant un incendie, une explosion ou un risque de blessure.
- N'exposez pas une batterie ou un outil au feu ou à une température excessive. L'exposition au feu ou à une température supérieure à 130 °C (266 °F) peut provoquer une explosion.
- Suivez toutes les instructions de charge et ne chargez pas la batterie ou l'outil en dehors de la plage de température spécifiée dans les instructions. Une charge inadéquate ou à des températures hors de la plage spécifiée peut endommager la batterie et augmenter le risque d'incendie.
- Ne modifiez pas et n'essayez pas de réparer l'appareil ou la batterie (le cas échéant), sauf si cela est indiqué dans les instructions d'utilisation et d'entretien.

URGENCE

À l'aide du présent mode d'emploi, familiarisez-vous avec l'utilisation de cet appareil. Mémorisez les consignes de sécurité et suivez-les à la lettre. Cela aidera à prévenir les risques et les dangers.

1. Soyez toujours vigilant(e) lorsque vous utilisez ce produit, afin de pouvoir reconnaître et traiter les risques à temps. Une intervention rapide peut permettre d'éviter des blessures graves et des dom-

mages matériels.

2. Éteignez le produit et retirez la batterie en cas de mauvais fonctionnement. Faites examiner l'outil par un professionnel qualifié et faites-le réparer si nécessaire, avant de le réutiliser.

RISQUES RÉSIDUELS

Même si vous utilisez cet outil conformément à toutes les exigences de sécurité, certains risques de dommages corporels et matériels subsistent. Les dangers suivants peuvent survenir en relation avec la structure et la conception de ce produit :

1. Problèmes de santé dus aux vibrations si l'outil est utilisé pendant une durée trop longue ou s'il n'est pas correctement utilisé et entretenu.
2. Blessures corporelles et dommages matériels survenant pendant l'utilisation, dus au bris des accessoires ou l'impact soudain d'objets cachés.
3. Risque de blessures et de dommages matériels causés par des objets volants.
4. L'utilisation prolongée de ce produit expose l'opérateur à des vibrations et peut provoquer la maladie des « doigts blancs »

(maladie de Raynaud). Afin de réduire ce risque, portez des gants et maintenez vos mains au chaud. Si l'un des symptômes de la maladie de Raynaud apparaît, consultez immédiatement un médecin. Les symptômes des « doigts blancs » (maladie de Raynaud) sont les suivants : engourdissement, perte de sensibilité, picotements, piqûres, douleur, perte de force, changement de couleur ou d'état de la peau. Ces symptômes apparaissent dans les doigts, les mains ou les poignets. Le risque augmente à basse température.



AVERTISSEMENT !

Cet outil génère un champ électromagnétique quand il est en fonctionnement! Ce champ électromagnétique peut, dans certaines circonstances, interférer avec les implants médicaux actifs ou passifs! Pour réduire le risque de blessure grave ou mortelle, nous recommandons aux personnes portant des implants médicaux de consulter leur médecin et le fabricant de l'implant médical avant d'utiliser cet appareil. CONSERVEZ CES INSTRUCTIONS

DESCRIPTION DE VOTRE AP-PAREIL

APPLICATIONS

Modèle : BLAX2-M

Comme souffleur :

Pour souffler les feuilles, les déchets de jardin tels que l'herbe, les brindilles et les aiguilles de pin..

1	Tube de soufflage
2	Bouton de libération du tube soufflant
3	Régulateur de vitesse
4	Interrupteur marche/arrêt
5	Poignée
6	Bouton de déverrouillage de la batterie
7	Batterie
8	Couvercle de l'entrée d'air
9	Boîtier



REMARQUE :

Le BLAX2-M-0 n'inclut ni le chargeur ni la batterie.

SPÉCIFICATIONS*

Modèle	BLAX2-M	
Tension nominale	18 V CC	
Vitesse à vide	0-16800 tr/min	
Vitesse maximale du vent	80 MPH	
Volume maximal du vent	350CFM	
Poids (sans batterie)	4,63 livres	
Modèle de batterie en option	B25X2	B50X2
Tension nominale	18 V	18 V
Capacité nominale	2,5 Ah	5,0 Ah
Poids	0,74 livre	1,43 livres
Modèle de chargeur	CHX2	
Puissance nominale d'entrée	100-240 V ~ 50/60 Hz	
Puissance nominale de sortie	21 V, 2000 mA	
Durée de charge (avec batterie de 2,5 Ah)	85 minutes	
Durée de charge (avec batterie de 5,0 Ah)	130 minutes	
Classe de protection (pour chargeur)	/ II	
Poids	0,75 livre	

Modèle	BLAX2-M-0
Tension nominale	18 V CC
Vitesse à vide	0-16800 tr/min
Vitesse maximale du vent	80 MPH
Volume maximal du vent	350CFM
Poids (sans batterie)	4,63 livres
Modèle de batterie	Non inclus
Modèle de chargeur	Non inclus

ASSEMBLAGE

1. Déballez toutes les pièces et posez-les sur une surface plane et stable.
2. Retirez tous les matériaux d'emballage et les dispositifs d'expédition, le cas échéant.
3. L'étendue de la livraison varie en fonction du pays et de la variante achetée :
Modèle BLAX2-M-0
 - Souffleur x 1
 - Tube de soufflage x 1
 - Manuel d'instructions x 1
4. Si vous constatez que des pièces sont manquantes ou présentent des dommages, n'utilisez pas le produit mais contactez votre revendeur. L'utilisation d'un produit incomplet ou endommagé représente un danger pour les personnes et les biens.
5. Assurez-vous que vous disposez de tous les accessoires et outils nécessaires à l'assemblage et à l'utilisation. Cela comprend également un équipement de protection individuelle approprié.



REMARQUE :

Le BLAX2-M inclut le chargeur et la batterie.

Le BLAX2-M-0 n'inclut ni le chargeur ni la batterie.



AVERTISSEMENT !



Portez des gants de protection pour ce travail d'assemblage et posez toujours le produit sur une surface plane et stable lors de l'assemblage.



Suivez les instructions de montage étape par étape et utilisez les images fournies comme guide visuel pour assembler facilement le produit !

N'insérez pas la batterie avant que l'outil électrique ne soit complètement assemblé ou réglé !

INSTALLATION DU TUBE DE SOUFLAGE



AVERTISSEMENT !

Pour éviter des blessures graves et des dommages matériels, mettez l'appareil hors tension avant de retirer ou d'installer un accessoire.

Alignez et insérez le tube soufflant. Assurez-vous que le bouton de dégagement du tube soufflant s'enclenche dans la fente du tube du souffleur (schéma 2).

INSTALLATION / RETRAIT DE LA BATTERIE

Pour installer la batterie :

Alignez et faites glisser la batterie dans le port d'amarrage jusqu'à ce qu'elle soit verrouillée en place (schéma 3).

Pour retirer la batterie :

Appuyez sur le bouton de déverrouillage de la batterie et retirez la batterie du produit.

FONCTIONNEMENT



AVERTISSEMENT !

Inspectez l'outil pour assurer qu'il est complètement installé. Tout élément manquant, endommagé ou mal placé peut entraîner des blessures graves.

Portez des équipements de protection en tout temps lors de l'utilisation de l'outil électrique.

MISE EN MARCHÉ / ARRÊT

Tenez le produit comme s'il était en état de marche.

Pour démarrer le produit, appuyez sur l'interrupteur marche / arrêt pour mettre le produit en marche ou tournez le régulateur de vitesse.

En tournant le régulateur de vitesse dans le sens des aiguilles d'une montre, on verrouille l'interrupteur marche / arrêt et on maintient la machine à une vitesse constante. Pour éteindre le produit, tournez le régulateur de vitesse dans le sens inverse des aiguilles d'une montre jusqu'à ce que l'interrupteur marche / arrêt se débloque automatiquement et que le produit s'arrête. Si vous démarrez le produit sans utiliser le régulateur de vitesse, relâchez simplement l'interrupteur marche/arrêt (schéma 4).



REMARQUE :

Le produit continuera à fonctionner pendant un certain temps même après l'arrêt du moteur ! Attendez qu'il s'arrête complètement avant de poser le produit !

RÉGLAGE DE LA VITESSE DE SOUFLAGE

Pour modifier la vitesse de soufflage, il suffit d'appuyer sur l'interrupteur marche / arrêt ou de tourner le régulateur de vitesse dans le sens des aiguilles d'une montre.

HEURES D'UTILISATION

Ne faites fonctionner le produit qu'à des heures raisonnables, pas tôt le matin, tard le soir ou pendant les week-

ends / jours fériés où les gens pourraient être dérangés. Informez-vous sur les restrictions locales.

GÉNÉRALITÉS

1. Vérifiez que les accessoires ou les outils d'application sont correctement fixés.
2. Tenez toujours le produit par sa poignée. Gardez la poignée sèche et propre pour garantir un support sûr.
3. Veillez à ce que les bouches d'aération soient toujours dégagées et non obstruées. Nettoyez-les si nécessaire avec une brosse douce. Des bouches d'aération obstruées peuvent entraîner une surchauffe et endommager le produit.
4. Arrêtez immédiatement le produit si vous êtes dérangé pendant le travail par d'autres personnes entrant dans la zone de travail. Laissez toujours le produit s'arrêter complètement avant de le poser.
5. Ne vous surmenez pas. Faites des pauses régulières pour vous concentrer sur le travail et avoir un contrôle total du produit.
6. Avant de mettre le produit en marche, vérifiez s'il a été correctement assemblé et si toutes les pièces mobiles fonctionnent correctement !
7. Pendant le travail, assurez-vous que le produit ne heurte pas d'objets durs, car cela pourrait causer des dommages.
8. Ne soufflez pas sur des corps solides tels que des pierres, des branches, des morceaux de branche ou similaires.
9. Nous recommandons d'humidifier légèrement les surfaces dans des conditions poussiéreuses ou d'utiliser un brumisateur.



REMARQUE :

Le risque de l'opération peut se produire, tel que les branches d'arbre pointues peuvent couper la peau de l'utilisateur, la lame de l'unité peut blesser le corps de l'utilisateur. Portez toujours une protection pour les yeux, les oreilles, les mains, les pieds et le corps afin de réduire les risques de blessures lors de l'utilisation de cet appareil.

SOUFFLAGE

1. Avant de souffler, détachez les feuilles qui sont collées au sol à l'aide d'un balai ou d'un râteau.
2. Tenez le tube à environ 3,9 pouces (10 cm) au-dessus du sol et avancez lentement en effectuant un mouvement de balayage d'un côté à l'autre.
3. Dirigez le jet d'air loin de vous.
4. Veillez à ne pas remuer des objets lourds et à ne pas blesser quelqu'un ou endommager quelque chose.



REMARQUE :

Lorsque le souffleur vibre anormalement, arrêtez immédiatement l'appareil. Des vibrations anormales indiquent souvent un problème mécanique et la poursuite de l'utilisation peut entraîner des blessures ou des dommages matériels.

CHARGE DE LA BATTERIE



AVERTISSEMENT !

Cette batterie au lithium-ion est expédiée partiellement chargée. Chargez complètement la batterie avant de l'utiliser pour la première fois.



REMARQUE :




Chargez les batteries à une température ambiante de 0 °C-40 °C (32 °F-104 °F) et stockez-les toujours à une température ambiante de 0 °C-25 °C (32 °F-77 °F).

1. Chargez la batterie au lithium-ion uniquement avec le chargeur approprié.
2. Connectez le chargeur à une source d'alimentation ; l'indicateur lumineux du chargeur devient rouge.
3. Alignez les nervures surélevées de la batterie avec la fente du chargeur.
4. Insérez la batterie dans le chargeur, l'indicateur lumineux du chargeur devient vert et clignote (schéma 5).
5. Le chargeur communiquera avec la batterie pour évaluer le statut de charge de la batterie.
6. Il est complètement chargé lorsque les quatre lumières de la batterie s'allument. Débranchez l'alimentation électrique du chargeur. Retirez la batterie du chargeur.

INDICATEUR DE CHARGE

Appuyez sur le bouton lumineux de la batterie pour vérifier si elle doit être rechargée (schéma 6).

Indicateurs lumineux			Statut
Éclairé	Désactivé	Clignotant	
			La batterie est à pleine capacité.
			La batterie est à 75% de sa capacité.

	La batterie a une capacité de 50% et doit être rechargée.
	La batterie a une capacité de 25% et doit être rechargée rapidement.
	La batterie a une capacité inférieure à 5% et doit être rechargée rapidement.



AVERTISSEMENT !

Des dysfonctionnements peuvent survenir lorsque les quatre indicateurs clignotent à tour de rôle.

PROTECTION CONTRE LA SUR-CHAUFFE

Lorsque l'outil / la batterie est surchauffé, l'outil s'arrête automatiquement. Dans ce cas, laissez refroidir l'outil électrique / la batterie avant de rallumer l'outil.

PROTECTION CONTRE LA SUR-DÉCHARGE

Lorsque la capacité de la batterie n'est pas suffisante, l'outil s'arrête automatiquement. Dans ce cas, retirez la batterie de l'outil et chargez-la.

ENTRETIEN



AVERTISSEMENT :

Éteignez toujours le produit, retirez la batterie de l'appareil et laissez le produit refroidir avant d'effectuer des travaux de nettoyage et d'entretien ! Portez toujours une protection pour les yeux, les oreilles, les mains, les pieds et le corps afin de réduire les risques de blessures lors de l'utilisation de cet appareil.

N'effectuez les travaux de nettoyage et d'entretien que conformément à ces instructions ! Tous les autres travaux doivent être effectués par un spécialiste qualifié !

Et n'utilisez que des pièces de rechange spécifiées pour le remplacement.

NETTOYAGE

- Éteignez le produit, retirez la batterie du produit.
- Nettoyez les débris du tube soufflant.
- Retirez les copeaux de bois et autres débris des bouches d'aération.
- Utilisez une petite brosse pour nettoyer l'extérieur de l'appareil. N'utilisez pas de détergents puissants. Les nettoyants ménagers contenant des huiles aromatiques comme le pin et le citron et les solvants tels que le kérosène peuvent endommager le plastique.
- Essuyez toute trace d'humidité avec un chiffon doux. L'outil ne doit jamais entrer en contact avec de l'eau.

TRANSPORT

- Nettoyez le produit comme décrit ci-dessus.
- Transportez toujours le produit par sa poignée.
- Protégez le produit de tout impact important ou de fortes vibrations pouvant survenir lors du transport dans des véhicules.
- Fixez le produit pour éviter qu'il ne glisse ou ne tombe.

ENTREPOSAGE

- Nettoyez le produit comme décrit ci-dessus.
- Entrez le produit et ses accessoires dans un endroit sombre, sec, sans gel et bien ventilé.
- Stockez toujours le produit dans un endroit inaccessible aux enfants. La température de stockage idéale se situe entre 10 ° C (50 ° F) et 30 ° C (86 ° F).
- Nous vous recommandons d'utiliser l'emballage d'origine pour le stockage ou de couvrir le produit avec un chiffon ou un boîtier approprié pour le protéger de la poussière.



REMARQUE :

Pour prolonger la durée de vie de la batterie, ne rangez jamais la batterie dans un état complètement déchargé. Assurez-vous que la batterie est chargée une fois par an ou lorsque l'indicateur LED n'affiche qu'une seule lumière.

MISE AU REBUT

Les déchets ne doivent pas être jetés avec les ordures ménagères. Recyclez-les là où des installations existent. Vérifiez auprès des autorités locales ou de votre détaillant pour obtenir des conseils sur le recyclage.



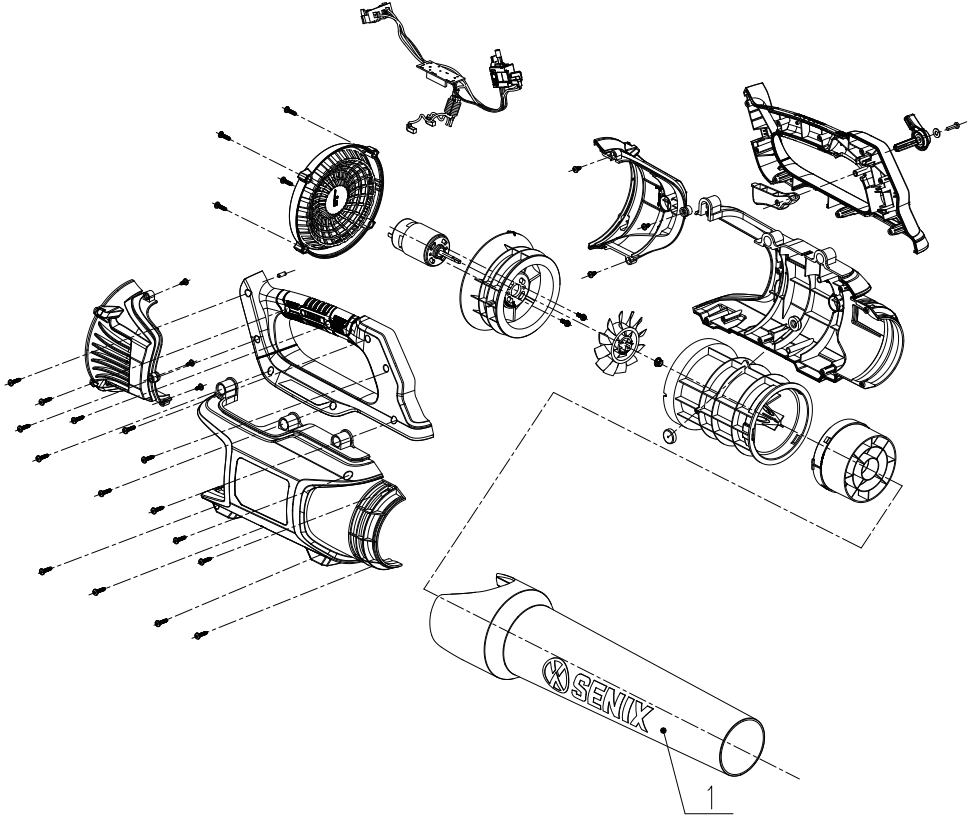
Les produits électriques ne doivent pas être jetés avec les produits ménagers. Les produits électriques usagés doivent être recueillis séparément et éliminés dans des points de collecte prévus à cette fin. Consultez les autorités locales ou votre revendeur pour obtenir des conseils sur le recyclage.

GUIDE DE DÉPANNAGE

Les dysfonctionnements suspectés sont souvent dus à des causes que les utilisateurs peuvent résoudre eux-mêmes. Par conséquent, vérifiez le produit en utilisant ce paragraphe. Dans la plupart des cas, le problème peut être résolu rapidement.

PROBLÈME	CAUSE POSSIBLE	SOLUTION
Le produit ne démarre pas	La batterie n'est pas correctement fixée	Fixez-la correctement
	La capacité de la batterie est trop faible	Retirez et chargez la batterie
	La batterie est endommagée	Faites vérifier par un électricien spécialiste
	L'interrupteur marche/arrêt n'est pas réglé sur la position « ON » (MARCHE).	Reportez-vous à la section « MISE EN MARCHE ET ARRÊT ».
Le produit n'atteint pas sa pleine puissance	La capacité de la batterie est trop faible	Chargez la batterie
	Les bouches d'aération sont obstruées	Nettoyez les bouches d'aération
Les vibrations ou le bruit sont excessifs	Les boulons / écrous sont desserrés.	Serrez les boulons / écrous
Le produit s'arrête soudainement	La capacité de la batterie est trop faible	Retirez et chargez la batterie
	La batterie est trop chaude	Retirez la batterie et laissez-la refroidir.

PIÈCES



N°	Pièce #	Description	Qté
22	202196000003	Tube de soufflage	1

GARANTIE

GARANTIE LIMITÉE DE DEUX ANS

Garantie limitée de 2 ans sur tous les équipements et chargeurs d'extérieur alimentés par batterie de la série Senix X2.

Garantie limitée de 2 ans sur toutes les batteries Senix X2. *

Ce produit Senix est garanti **PENDANT DEUX ANS** à compter de la date d'achat d'origine, contre les défauts de matériaux ou de fabrication sur les outils électriques et les chargeurs. Le produit défectueux sera réparé gratuitement.*

Ce produit Senix est garanti **PENDANT DEUX ANS** à compter de la date d'achat d'origine, contre les défauts de matériaux ou de fabrication de la batterie. Le produit défectueux sera réparé gratuitement.*

Cette garantie ne couvre pas l'usure normale des pièces et des composants tels que la chaîne de coupe, le fil ou les lames, et cette garantie ne couvre pas les frais de transport du produit pour la garantie ou l'entretien.

La garantie est sujette aux deux conditions suivantes :

- La garantie s'applique à l'acheteur original au détail et n'est pas transférable *
- Enregistrement de la garantie sur www.senixtools.com
- L'outil n'a pas été utilisé incorrectement, abusé, négligé, altéré, modifié ou réparé par quiconque d'autre qu'un centre d'entretien autorisé.
- Seuls les accessoires Senix authentiques ont été utilisés avec ou sur ce produit.
- L'outil a été soumis à une usure normale.
- L'outil n'a pas été utilisé à des fins commerciales ou professionnelles
- L'outil n'a pas été utilisé à des fins locatives.
- Cette garantie ne couvre que les défauts résultant d'une utilisation normale et ne couvre pas les dysfonctionnements, défaillances ou défauts résultant d'une utilisation incorrecte, d'un abus (surcharge du produit, exposition à l'eau ou à la pluie), d'une négligence ou d'un défaut d'installation, d'entretien ou de stockage. .

Pour localiser votre fournisseur de services Senix le plus proche, appelez gratuitement le 800-261-3981 ou envoyez-nous un e-mail sur service@senixtools.com.

Limitations supplémentaires

Toute garantie implicite accordée en vertu de la législation en vigueur, y compris les garanties de qualité marchande ou d'adéquation à un usage particulier, est limitée à trois ans à compter de la date d'achat pour les outils électriques et les chargeurs et à sept ans pour les batteries. Le fabricant n'est pas responsable des dommages directs, indirects, accessoires ou consécutifs. Certains états et provinces n'autorisent pas les limitations sur la durée d'une garantie implicite et / ou n'autorisent pas l'exclusion ou la limitation des dommages accessoires, et dans ce cas, les restrictions décrites précédemment ne s'appliquent pas. Cette garantie vous donne des droits légaux spécifiques, et vous pouvez également avoir d'autres droits qui varient d'un état à l'autre ou d'une province à l'autre.

YAT USA décline toute responsabilité en matière de responsabilité civile résultant d'une utilisation abusive ou non conforme à une utilisation et une maintenance correctes de la machine telles que décrites dans le manuel de l'utilisateur.

YAT USA n'est pas responsable des dommages directs, indirects, accessoires ou consécutifs.

Après l'achat, le fabricant recommande un entretien approprié de la machine et de lire le manuel de l'utilisateur avant d'utiliser la machine.

* Un reçu d'achat original peut être exigé comme preuve d'achat.

Pour le service à la clientèle, contactez-nous gratuitement au 1-800-261-3981 ou sur Senixtools.com.

YAT USA, Inc. 6441 Hendry Rd. Suite A Charlotte, NC. 28269

