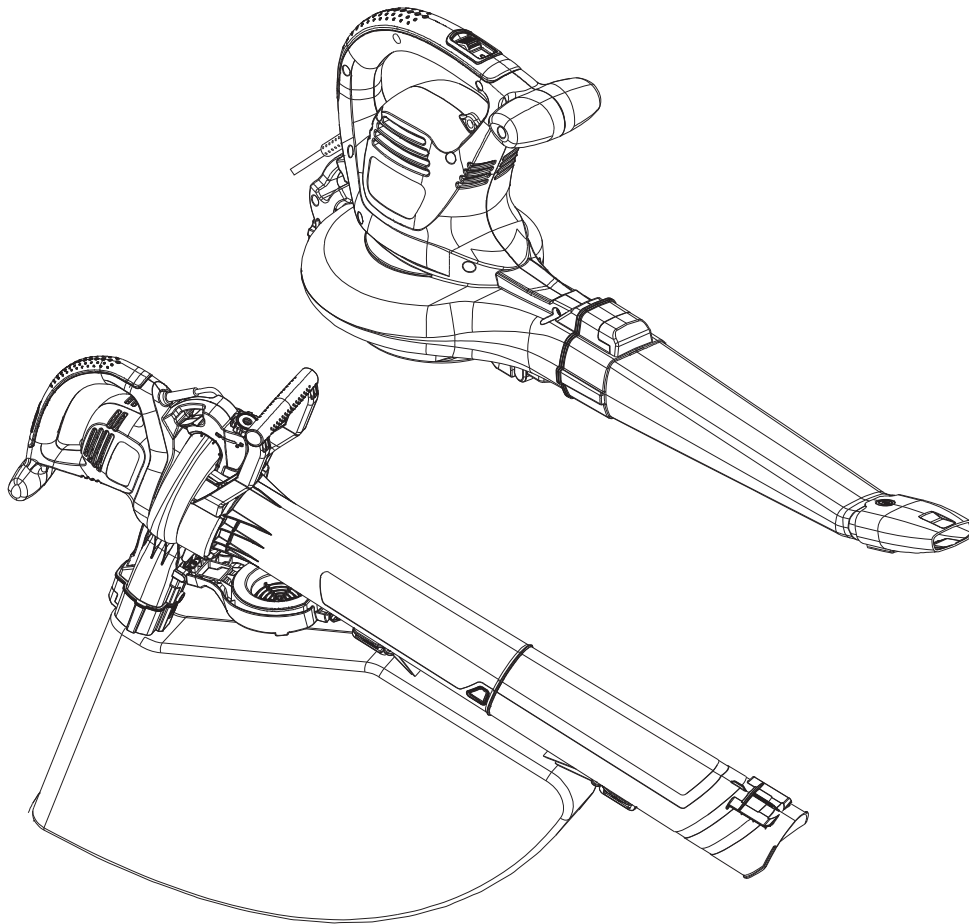




12 Amp Motor Electric Blower Vacuum

Operator's manual
Model : BLVE12-M



For customer support, please call 1-800-261-3981 or send email to:

Service@senixtools.com

SAVE THIS MANUAL FOR FUTURE REFERENCE.

8458-A072012001-011

TABLE OF CONTENTS

SAFETY SYMBOLS.....	2
TECHNICAL DATA.....	2
SAFETY.....	3
COMPONENT LOCATION.....	6
ASSEMBLY.....	7
OPERATION.....	10
MAINTENANCE.....	12
PARTS.....	13
TROUBLESHOOTING.....	14
WARRANTY.....	15

SAFETY SYMBOLS



To reduce the risk of injury, user must read instruction manual.



Wear ear protection.



Wear eye protection.



Wear dust mask.



Wear hand protection.



Wear non-slip safety footwear.



Avoid power lines, use in dry conditions.



Do not expose to rain.



Thrown objects can ricochet and result in personal injury or property damage.



Keep all bystanders at least 50 ft. away.



Indicates danger, warning or caution. Precautions that involve your safety.



Disconnect from the mains plug if the cord is damaged or entangled. **DO NOT TOUCH THE CORD BEFORE DISCONNECTING THE SUPPLY.**

SPECIFICATIONS*

Model	BLVE12-M
Rated Voltage	120V ~60Hz
Rated Current	12A
Motor Type	Universal Motor
No Load Speed	14000 /min
Max Air Speed	179 MPH
Max Air Volume	420 CFM
Mulch Ratio	14:1
Bag Capacity	1.24 Bushel
Weight	8.2lbs (3.72kg)

SAFETY

IMPORTANT SAFETY INSTRUCTIONS

When using an electrical appliance, basic precautions should always be followed, including the following: **READ ALL INSTRUCTIONS BEFORE USING (THIS APPLIANCE)**



WARNING:

To reduce the risk of fire, electric shock, or injury: Do not leave appliance(blower) when plugged in. Unplug from outlet when not in use and before servicing.

- Use extra care when cleaning on stairs.
- Do not use on wet surfaces.
- Do not allow to be used as a toy. Close attention is necessary when used by or near children.
- Use only as described in this manual. Use only manufacturer's recommended attachments.
- Keep hair, loose clothing, fingers and all body parts away from openings and moving parts.
- Do not use with a damaged plug. If the tool is not working as it should, or if it has been dropped, damaged, left outdoors, or dropped into water, return it to an authorized service center.
- When using in direct sunshine, keep out of water.
- Don't expose to rain when operating the machine.
- Store indoors. Do not expose to rain or water. Avoid direct sunshine.

WHEN USING (THIS APPLIANCE)

Do not unplug by pulling on cord. To unplug, grasp the plug, not the cord.

Turn off all controls before unplugging.

- Do not operate power tools in an explosive atmosphere, such as in the presence of flammable liquids, gases, or dust. Power tools create sparks that may ignite the dust or fumes.
- Never allow children to operate the equipment. Never allow adults to operate the equipment without proper instruction.
- Do not charge the unit outdoors.
- Wear heavy long pants, boots, and gloves. Avoid loose garments or jewelry that could get caught in moving parts of the machine or its motor.
- Do not force the tool. Use the correct tool for your application. The correct tool will work more efficiently and safely when it is used at the rate that it was designed to work at.
- Do not operate the equipment while barefoot or when wearing sandals or similar lightweight footwear.
- Wear protective footwear that will protect your feet and improve your footing on slippery surfaces.

- Secure long hair so it is above shoulder level to prevent entanglement in any moving parts.
- Keep firm footing and balance. Do not overreach. Overreaching can result in loss of balance.
- Do not allow children or untrained individuals to use this unit.
- Do not use the tool if the switch does not turn it on or off. Any tool that cannot be controlled with the switch is dangerous, and must be repaired.
- Keep all bystanders, children, and pets at least 50 ft. (15 m) away.
- For household use only.
- Do not operate this unit when you are tired, ill, or under the influence of alcohol, drugs, or medication.
- Do not operate in poor lighting.
- Keep all parts of your body away from any moving parts and all hot surfaces of the unit.
- Do not put any object into openings. Do not use with any opening blocked. Keep openings free of dust, lint, hair, and anything that may reduce air flow.
- Check the work area before each use. Remove all objects that can be thrown or become entangled in the machine, such as rocks, broken glass, nails, wire, or string.
- Use only identical manufacturer's replacement parts and accessories. Use of any other parts may create a hazard or cause product damage.

CHILD SAFETY

Tragic accidents can occur if the operator is not aware of the presence of children.

- Keep children out of the working area and under the watchful care of a responsible adult.
- Do not allow children under the age of 14 to operate this blower. Children who are 14 years of age and older must read and understand the operating instructions and safety rules in this manual and must be trained and supervised by a parent.
- Stay alert and turn the blower off if a child or any other person enters the working area.
- Use extreme care when approaching blind corners, doorways, shrubs, trees, or other objects that may obscure your view of a child who may run into the path of the blower.

WARNING (PROPOSITION 65)

Some dust created by power sanding, sawing, grinding, drilling, and other construction activities contains chemicals known to cause cancer, birth defects or other reproductive harm. Some examples of these chemicals are:

- Lead from lead-based paints
- Crystalline silica from bricks and cement and other masonry products, and

- Arsenic and chromium from chemically treated lumber.

Your risk of exposure to these chemicals varies depending on how often you do this type of work. To reduce your exposure to these chemicals, work in a well-ventilated area, and work with approved safety equipment, such as dust masks that are specially designed to filter out microscopic particles.

ELECTRICAL SAFETY

WARNING:

Do not permit fingers to touch the terminals of plug when installing or removing the extension cord from the plug.

1. Double insulated tools are equipped with a polarized plug (one blade is wider than the other and will require the use of a polarized extension cord. The Pole Saw's plug will fit into a polarized extension cord only one way. If the plug does not fit fully into the extension cord, reverse the plug. If the plug still does not fit, obtain a correct polarized extension cord. A polarized extension cord will require the use of a polarized wall outlet. This plug will fit into the polarized wall outlet only one way. If the plug does not fit fully into the wall outlet, reverse the plug. If the plug still does not fit, contact a qualified electrician to install the proper outlet. Do not change or alter the equipment plug, extension cord receptacle, or extension cord plug in any way.
2. Double insulation eliminates the need for the three-wire grounded power cord and grounded power supply system. Applicable only to Class II (double-insulated) tools.
- 3 Ground fault circuit interrupter (GFCI) protection should be provided on the circuit(s) or outlet(s) to be used for the blower. Receptacles are available having built-in GFCI protection and may be used for this measure of safety.
- 4 To prevent electric shock, use only with an extension cord suitable for outdoor use, such as SW-A, SOW-A, STW-A, STOW-A, SJW-A, SJOW-A, SJTW-A, or SJTOW-A. Before use, check that the extension cord is in good condition. When using an extension cord, make sure to use one heavy enough to carry the current your product will draw. For lengths less than 50 ft (15 m), a No. 14 AWG (or greater) extension cord should be used. An undersized cord will cause a drop in line voltage resulting in loss of power and overheating.
5. Use a proper extension cord. ONLY use cords listed by underwriters Laboratories (UL). Other extension cords can cause a drop in line voltage, resulting

in a loss of power and overheating of tool. For this tool an AWG (American Wire Gauge) size of a least 14-gauge is recommended for an extension cord of 25-ft. or less in length. Use 12-gauge for an extension cord of 50-ft. Extension cords 100-ft. or longer are not recommended. Remember, a smaller wire gauge size has greater capacity than a larger number (14-gauge wire has more capacity than 16-gauge wire; 12-gauge wire has more capacity than 14-gauge). When in doubt use the smaller number.

Minimum gauge for extension cords

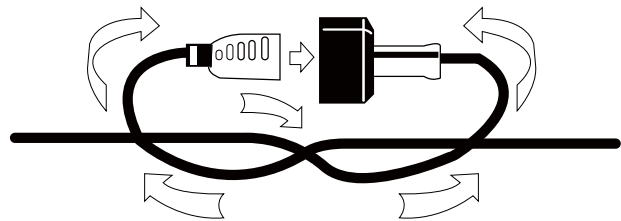
Volts	Total length of cord in feet			
120 V	25	50	100	150

Ampere Rating

More than/Not more than	AWG			
0-6	18	16	16	14
6-10	18	16	14	12
10-12	16	16	14	12
12-16	14	12	Not recommended	

To prevent the appliance cord from disconnecting from the extension cord during operation, make a knot with the two cords as shown below.

Securing extension cord



CAUTION:

Keep the extension cord clear of the work area. Position the cord so that it will not get caught on bushes, hedges, tree trunks, lawnmowers or other obstructions while you are working with the blower vacuum.

- To reduce the risk of electric shock, this appliance has a polarized plug (i.e. one blade is wider than the other). Use this appliance only with a polarized UL-, CSA- or ETL rated extension cord for outdoor, all-weather use. The appliance plug will fit into a polarized extension cord only one way.

If the appliance plug does not fit fully into the extension cord, reverse the plug. If the plug still does not fit, obtain a correct polarized extension cord. A polarized extension cord will require the use of a polarized wall outlet. The extension cord plug will fit into the polarized wall outlet only one way. If the plug does not fit fully into

the wall outlet, reverse the plug. If the plug still does not fit, contact a qualified electrician to install the proper wall outlet. Do not modify the appliance plug, extension cord receptacle or extension cord plug in any way.

Warning – To reduce the risk of personal injury due to a loose electrical connection between the appliance's plug and extension cord, firmly and fully attach the appliance plug to the extension cord. Periodically check the connection while operating to ensure it is fully attached. Do not use an extension cord that provides a loose connection. A loose connection may result in overheating, fire, and increases the risk of a burning.

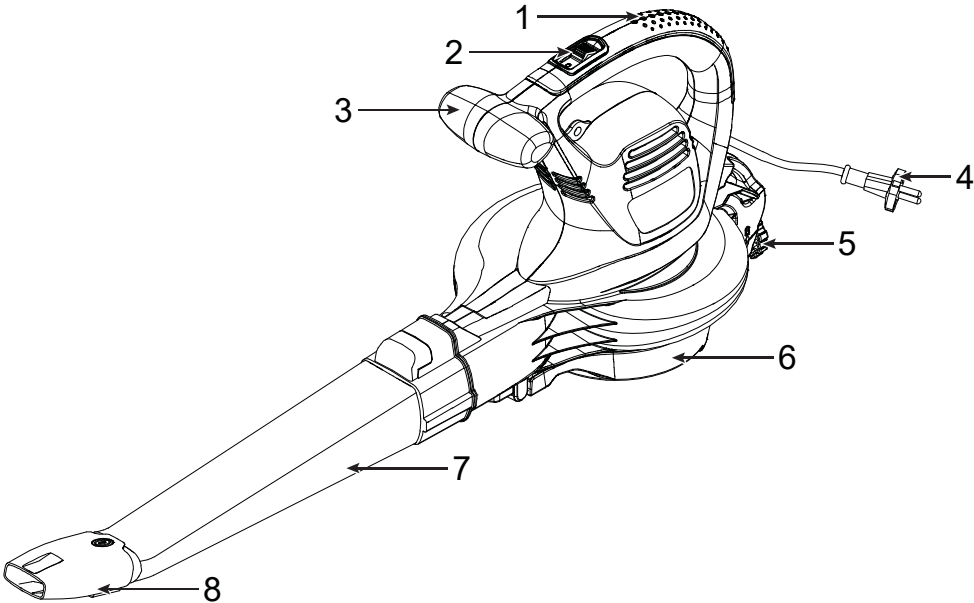
Maintain Appliance With Care – Inspect extension cords periodically and replace if damaged.

Do not abuse the cord. Never pull the blower by the cord or yank the cord to disconnect it from the receptacle. Keep the cord away from heat, oil, and sharp edges.

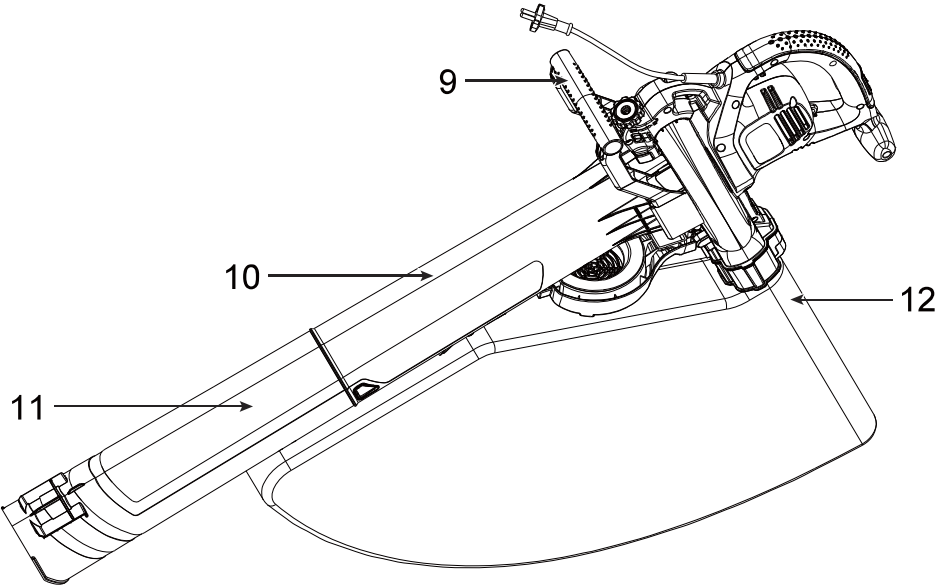
SAVE THESE INSTRUCTIONS

COMPONENT LOCATION

KNOW YOUR Blower/Vacuum/Mulcher



1	Handle	5	Lock knob
2	ON/OFF switch	6	Vacuum inlet cover
3	Auxiliary handle	7	Blower tube
4	Plug	8	Blower concentrator nozzle



9	Auxiliary handle	11	Rear vacuum/mulcher tube
10	Front vacuum/mulcher tube	12	Collective bag

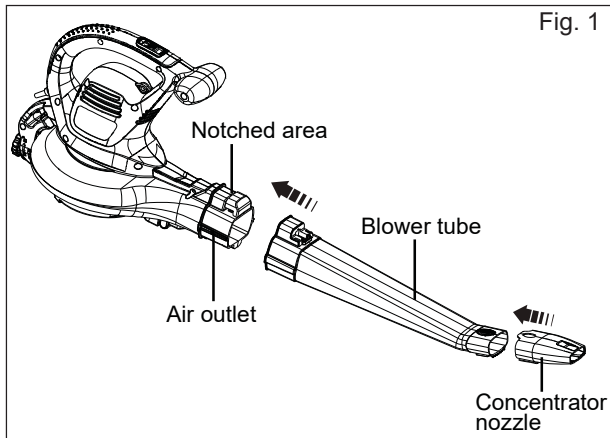
ASSEMBLY

WARNING:

Read the ENTIRE IMPORTANT SAFETY INFORMATION section at the beginning of this manual including all text under subheading therein before set up or use of this product.

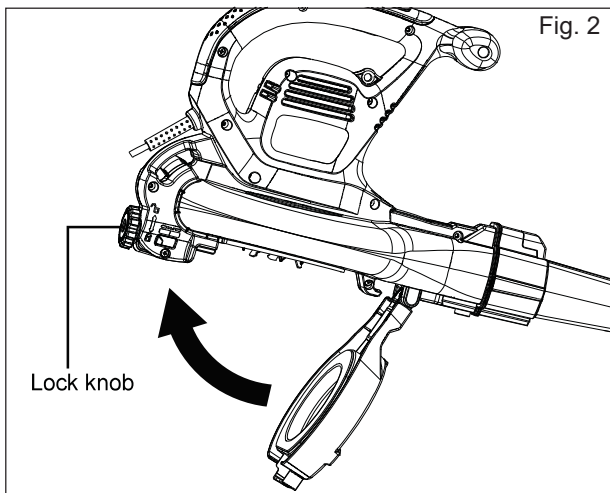
ASSEMBLE AS A BLOWER

1. Slide the blower tube forward until the notched area on the blower housing clicks into the slot on the blower tube.
2. Insert the concentrator nozzle onto the end of the blower tube until it locks into position (Fig. 1).

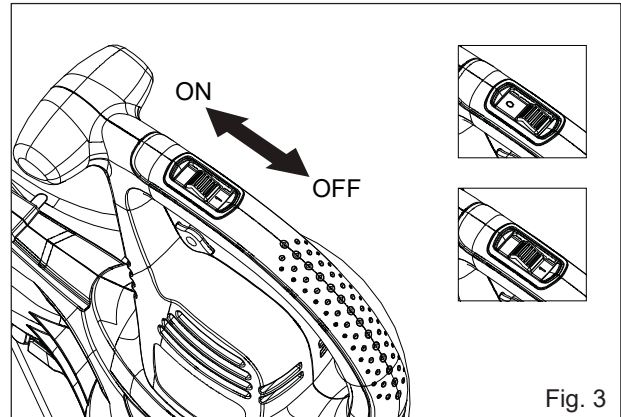


NOTE: The concentrator nozzle is used to increase air flow in tight areas (i.e around flower beds, under decks, etc.).

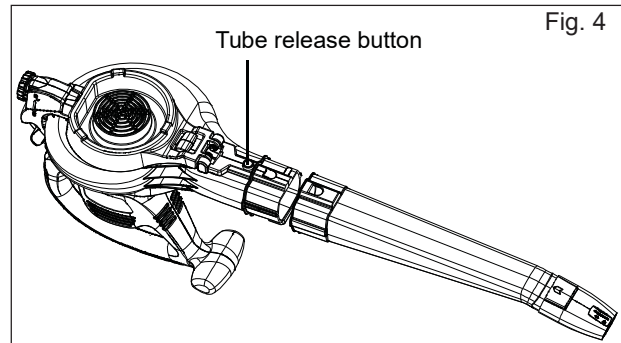
3. Before using the blower function, rotate the lock knob to lock the cover in place (The indicator will be on the far right position, Fig. 2).



4. To remove the blower tube, turn the ON/OFF power switch to the OFF (O) position and disconnect the tool from the power supply (Fig. 3).

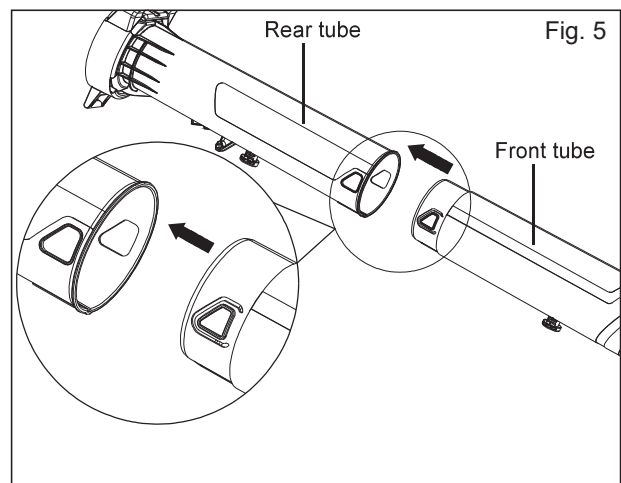


5. Press the tube release button and remove the blower tube (Fig. 4).

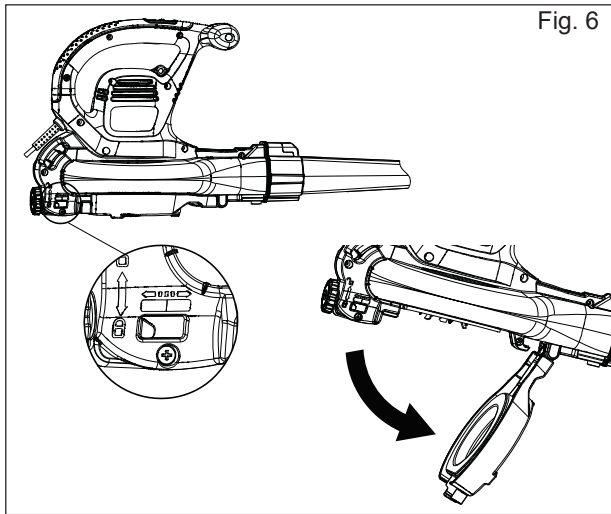


ASSEMBLE AS A VACUUM/MULCHER

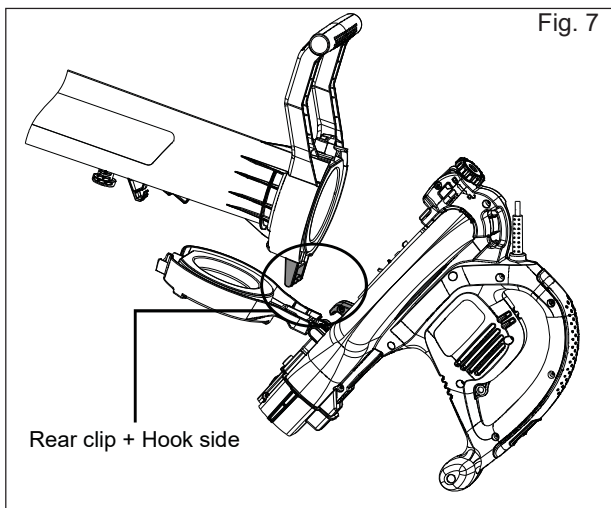
1. Slide the front and rear vacuum/mulcher tubes together until the lock button engages (Fig. 5).



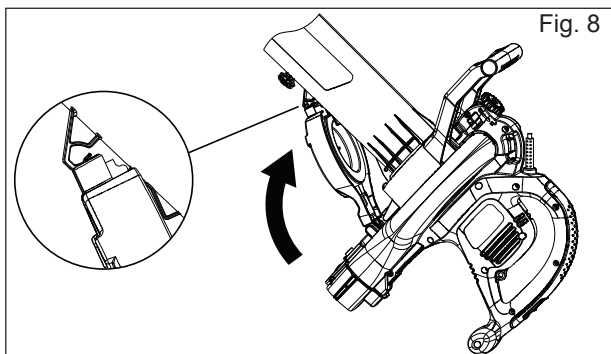
2. Rotate the lock knob to unlock the cover (The indicator is on the far left position, Fig. 6).



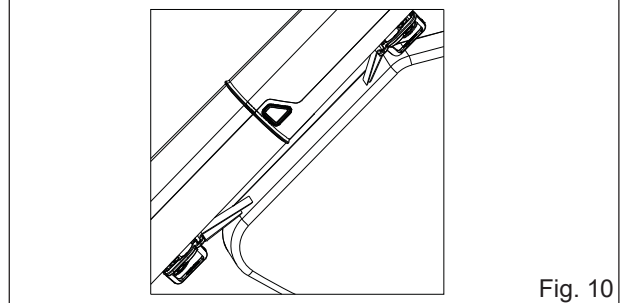
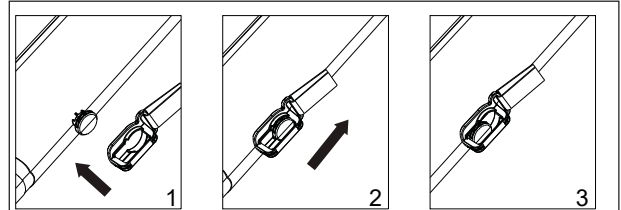
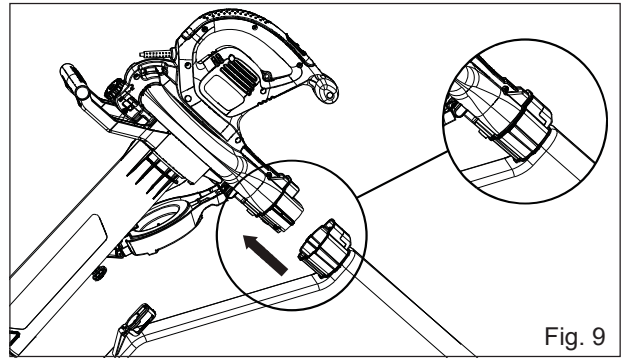
3. With the blower tube removed, insert the "hooked" Side end of the mulcher tube into the rear clip on the unit. Rotate the lock knob to close the front tube (The indicator is on the far right position, Fig. 7).



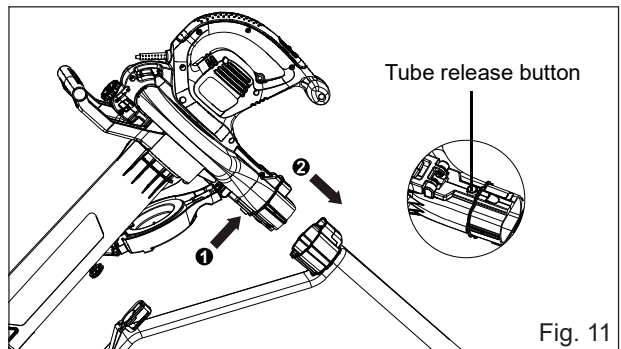
4. Make the inter cover hook the hook of the rear tube (Fig. 8).



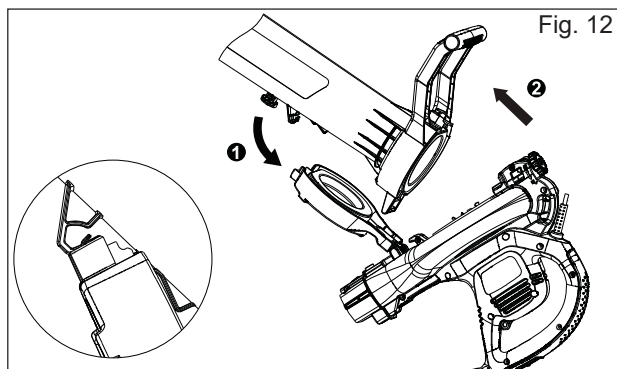
5. Insert the collection bag adaptor into the blower air outlet until the collection bag is securely fastened (Fig. 9), then make the bag hook the strap holder on the two sides of the tube (Fig. 10).



1. To remove the collective bag , release the bag from the strap holder on the two sides of the tube, and simply press the tube release button to remove the bag (Fig. 11).

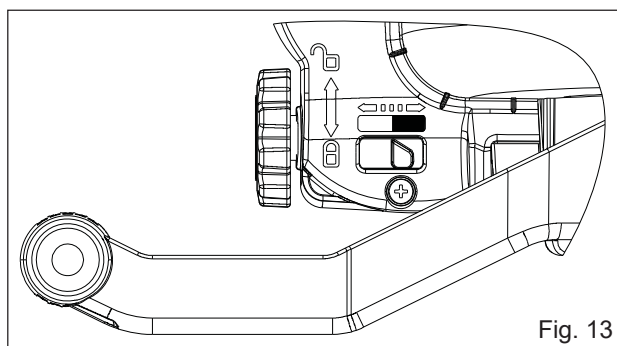


2. To remove the vacuum/mulcher tube assembly, release the inter cover from the hook of the tube, rotate the lock knob to unlock , then remove the tube assembly from its housing (Fig. 12).



NOTE: It may be necessary to remove the blower tube or vacuum/mulcher tubes to clear a blocked tube or impeller.

8. Make sure to disconnect the unit from the power supply before attempting to clear any obstructions. The indicator of the lock knob must be entered into black area first, then the machine can be running (Fig. 13).



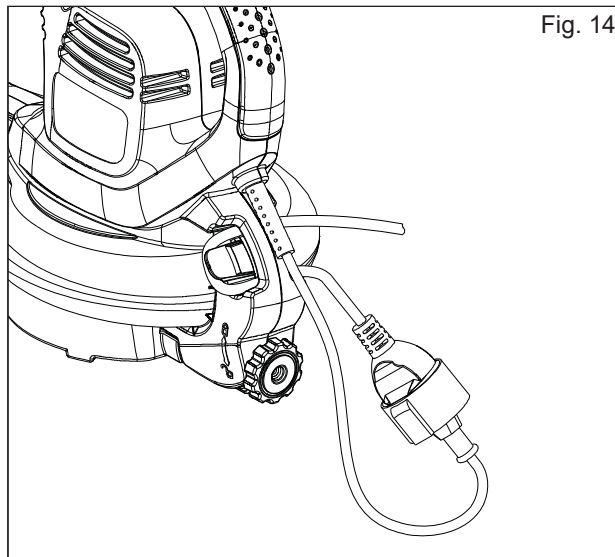
OPERATION

WARNING:

Read the ENTIRE IMPORTANT SAFETY INFORMATION section at the beginning of this manual including all text under subheading therein before set up or use of this product.

CONNECTING TO A POWER SOURCE

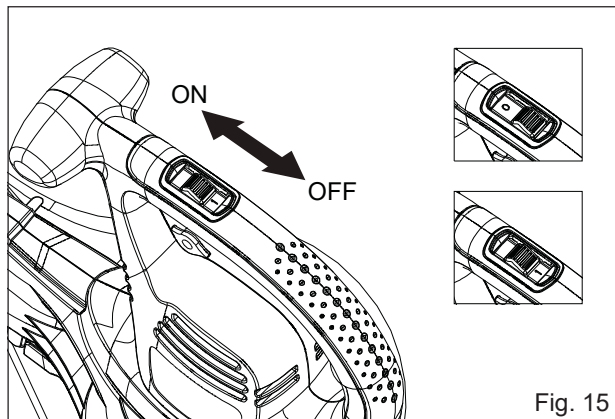
1. Secure the extension cord to the motor housing using the cord retainer located at the rear of the blower. Securing the extension cord in this manner prevents accidental removal of the electrical cord during operation (Fig. 14).



2. Plug the female end of the electrical cord into the receptacle at the back of the unit.

STARTING AND STOPPING

1. To start the electric blower/vacuum/mulcher, slide the ON/OFF switch to position (1). This unit is equipped with one speed settings (1) (Fig. 15).
2. To stop the unit, slide the ON/OFF switch to position (0) (Fig. 15).



OPERATING TIPS

WARNING:

Use the blower/vacuum/mulcher only in daylight or good artificial light.

- When using the blower vac, plant your feet firmly on the ground and place one hand on the unit handle and the other hand on the auxiliary handle.
- Wear personal protective equipment during your work session. This includes boots, safety glasses/goggles, ear defenders, long pants and a long-sleeve shirt.
- When using the unit as mulcher, make sure the bag is properly installed and zipped closed.
- Make sure the blower tube nozzle is not directed at anybody or any loose debris before starting the unit.
- Verify that the unit is in good working condition. Make sure the tubes and guards are in place and secure.
- Ensure that the vacuum/mulch inlet cover is completely closed and locked.
- Keep a firm grip on both the front and rear handle or grips.
- To reduce the risk of hearing loss associated with sound level(s), hearing protection is required.
- Use the shoulder strap when using the unit as a mulcher.
- Operate power equipment only at reasonable hours—not early in the morning or late at night when people might be disturbed. Comply with times listed in local ordinances. Usual recommendations are 9:00 am to 5:00 pm, Monday through Saturday.
- To reduce noise levels, limit the number of pieces of power equipment used at any one time and operate power blowers at the lowest possible speed setting necessary to do the job.
- Use rakes and brooms to loosen debris before blowing.
- In dusty conditions, slightly dampen surfaces.
- Conserve water by using power blowers instead of hoses for many lawn and garden applications, including areas such as gutters, screens, patios, grills, porches and gardens.
- Blow debris into a safe, open area away from children, pets, open windows or freshly washed cars.
- Clean up after using leaf blowers and other lawn equipment. Dispose of debris appropriately.

WARNING:

To avoid serious personal injury, wear ear defenders, goggles or safety glasses at all times when operating this unit. Wear a face mask or dust mask in dusty locations.

WARNING:

To prevent serious personal injury or damage to the unit, make sure the blower tube or the mulcher tubes and the bag are in place before operating the unit.

AIR VENTS

Never cover air vents. Keep them free from obstructions and debris. They must always remain clear for proper motor cooling.

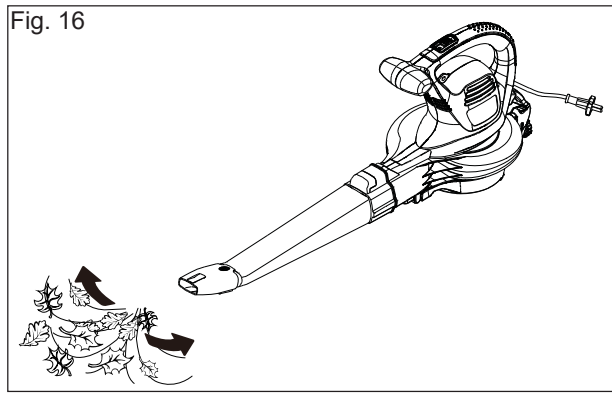
WARNING:

To avoid serious personal injury, do not wear loose fitting clothing or articles such as scarves, strings, chains, ties, etc., that could get drawn into the air vents. To make sure long hair does not get drawn into the air vents, tie back long hair.

BLOWER MODE

Hold the blower firmly with one hand on the main handle and the other hand on the auxiliary handle. Sweep from side to side with the nozzle several inches above the ground or floor (Fig. 16).

Fig. 16

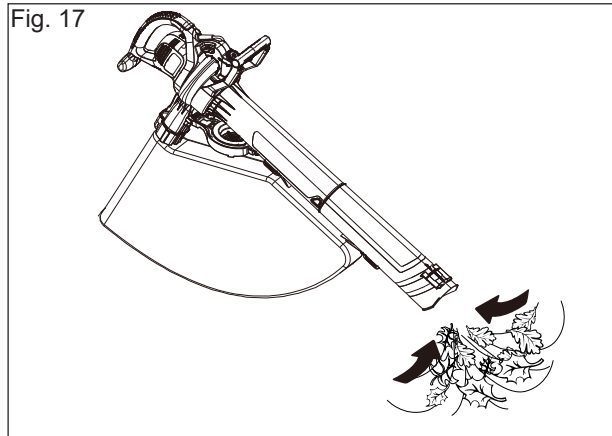


Slowly advance the unit, keeping the accumulated pile of debris in front of you. Most dry blowing operations are better suited to low speeds rather than high speeds. High speed blowing is best for moving heavier items like large debris or gravel.

VACUUM/MULCHER MODE

- Once you have blown the debris/leaves into a pile, you can convert to vacuum mode to collect the debris.
- With a firm hold on the vac, and use a sweeping action to collect light debris. The debris will flow into the bag. Items such as small leaves and twigs will be mulched as they pass through the fan housing. For longer bag life and increased performance, empty the bag frequently (Fig. 17).

Fig. 17



- As the bag fills, suction power will decrease. When this happens, turn the power switch to the OFF (0) position and unplug the unit from the power supply. Remove the bag and empty the debris.
- To remove the bag, press the tube release button (Fig. 11). To empty, hold the plastic handle and grab the nylon handle on the underside of the bag. Turn the bag upside down and shake out any debris and leaves.

WARNING:

Never remove the collection bag without first turning the power switch to the OFF (0) position and unplugging the unit from the main power source.

WARNING:

Do not use in vacuum/mulcher mode without the vacuum tubes and collection bag in place.

CLEARING A BLOCKED TUBE/IMPELLER

WARNING:

To avoid serious personal injury, be sure the unit is OFF and unplugged before clearing the impeller.

WARNING:

To avoid serious personal injury, always wear gloves to protect yourself from the impeller blades or other sharp objects.

During the vacuuming process, certain objects such as cloth, rope or large diameter sticks may obstruct the fan and block the motor. A thermal protection device, which is built into the blower vac, will cut off the electricity to the motor to prevent damage from overheating. In the event an obstruction occurs and power is curtailed:

1. Slide the ON/OFF switch down to the OFF (0) position until the unit comes to a complete stop.
2. Unplug the unit.
3. Remove the blower tube or vacuum/mulcher tubes and the bag.
4. Using protective gloves, carefully remove the material blocking the tube or impeller. Inspect the blades to ensure no damage has occurred. Rotate the impeller blades by hand to ensure the blockage is completely cleared.
5. Reinstall the blower tube or vacuum/mulcher tubes and the bag.
6. Wait 3 minutes for the motor to cool.
7. Plug the unit back into the power supply and turn the ON/OFF switch to ON (1). The blower vac will resume normal function.

MAINTENANCE



WARNING:

Read the ENTIRE IMPORTANT SAFETY INFORMATION section at the beginning of this manual including all text under subheading therein before maintenance this product.

Normal maintenance, replacement or repair of emission control devices and systems may be performed by any qualified repair establishment or individual with original or equivalent parts. Warranty and recall repairs must be performed by an authorized service center; please contact customer service for assistance.



WARNING:

Disconnect the extension cord before performing any maintenance task.

If the extension cord is plugged into the appliance, someone could accidentally turn on the unit while you are performing maintenance on it, which could result in serious personal injury.

CLEANING



WARNING:

To avoid serious personal injury, always turn the unit off and unplug it before cleaning or servicing.

Use a small brush to clean the outside of the unit. Do not use strong detergents, household cleaners that contain aromatic oils (e.g. pine and lemon) or harsh solvents such as kerosene as these substances can damage the plastic housing or the handles. Wipe off any moisture with a soft, dry cloth.

1. Empty the bag after each use to avoid deterioration and obstructing air flow, which will reduce the performance of the mulcher.
2. Wear eye protection and a dust mask. Clean the bag as needed. Turn the bag inside out after initial emptying and vigorously shake out dust and debris.
3. Wash the bag once a year, or more often if needed. Follow the steps below:
 - i. Remove the bag.
 - ii. Turn the bag inside out.
 - iii. Hang it up.
 - iv. Hose it down thoroughly.
 - v. Leave it hanging to dry.
 - vi. Turn the bag right-side up and reinstall.

STORAGE

Examine the extension cord thoroughly for signs of excess wear or damage. If it is worn or damaged, replace it immediately.

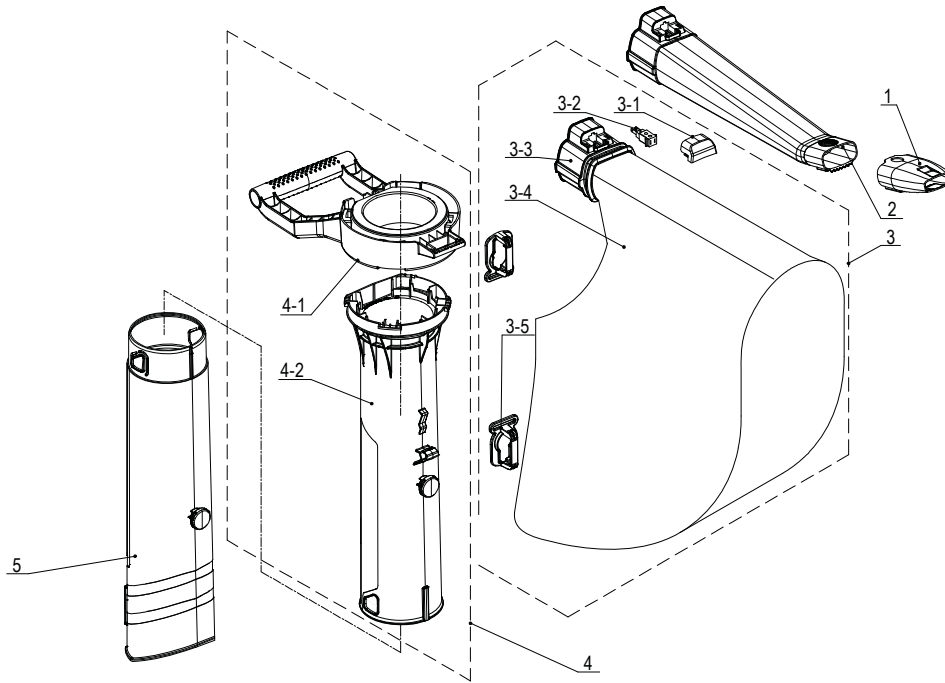
Disconnect the extension cord from the electric blower/vacuum/mulcher before storing.

Store the cord with the electric blower/vacuum/mulcher indoors in a clean, dry and locked location out of the reach of children and animals.

NOTE: Devices for retaining extension cords are commercially available should you wish to purchase one.

PARTS

EXPLODED VIEW



PARTS

No.	Part #	Description	Qty.
1	202041000012	Flat Nose	1
2	202054000039	Blowpipe	1
3	199068000012	Dust Bag Assembly	1
3-1	202030001729	Shroud	1
3-2	202999001785	U type male terminal block	1
3-3	202154000009	Bend Tube	1
3-4	299010000031	Dust Bag	1
4	199049000033	Duct Components	1
4-1	202024002548	Handle	1
4-2	202155000033	Blowpipe	1
5	202155000034	Blowpipe	1

For replacement parts, email: parts@SENIXtools.com.

TROUBLESHOOTING



WARNING:

Always unplug the power cord before performing any adjustments, maintenance or repairs to your electric blower vac.

SYMPTOM	POSSIBLE CAUSE	RECOMMENDED ACTIONS
Unit will not blow or mulch	1. Bag full	1. Empty the bag.
	2. Blocked tube	2. Clear the blockage.
	3. Blocked impeller	3. Clear the blockage.
	4. Dirty bag	4. Clean the bag.
	5. Torn bag	5. Replace the bag.
	6. Bag unzipped	6. Zip up the bag.
	7. Unit unplugged	7. Plug into an outlet or an extension cord.
Unit will not start	1. Unit is unplugged	1. Check cord to make sure it is plugged into an electrical outlet.
	2. Power/speed switch is in the OFF (0) position.	2. Slide the power switch to the ON (1) position
	3. Defective power switch.	3. Contact Senix customer service at 1-800-261-3981.
	4. Vac tubes are not correctly installed.	4. Check vac tubes and ensure that they are correctly installed to allow the switch to be engaged.
	5. Intake gate/cover is not closed.	5. Ensure that gate/cover is fully closed and locked.
	6. House circuit may have tripped.	6. Check wall circuit breaker panel and reset if necessary.



NOTICE:

As the equipment owner, you are responsible for the performance of the required maintenance listed in the Maintenance section. It is recommended that you retain all receipts covering maintenance on your equipment. Neglecting or failing to perform the required maintenance may increase emissions, decrease fuel efficiency, degrade performance, cause irreversible engine damage and/or void your warranty.

WARRANTY

LIMITED TWO-YEAR WARRANTY

FOR TWO YEARS from the original date of retail purchase this Senix product is warranted against defects in materials or workmanship on power tools and chargers. Defective product will receive free repair.*

FOR TWO YEARS from the original date of retail purchase this Senix product is warranted against defects in materials or workmanship on batteries. Defective product will receive free repair.*

This warranty does not cover normal wear of parts and components such as cutting chain, line or blades nor does this warranty cover product transportation cost for warranty or service.

Warranty is subject to the following conditions:

- Warranty applies to the original purchaser at retail and is not transferrable*
- Warranty Registration at www.senixtools.com
- The tool has not been misused, abused, neglected, altered, modified or repaired by anyone other than an authorized service center
- Only genuine Senix accessories have been used with or on this product
- The tool has been subjected to normal wear and tear
- The tool has not been used for trade or professional purposes
- The tool has not been used for rental purposes
- This warranty only covers defects arising under normal usage and does not cover any malfunction, failure or defect resulting from misuse, abuse (including overloading the product, exposure to water or rain) accidents, neglect or lack of proper installation and improper maintenance or storage.

To locate your nearest Senix service provider call toll free at 800-261-3981 or email us at service@senixtools.com.

Additional Limitations

Any implied warranty granted under state law, including warranties of merchantability or fitness for a particular purpose, are limited to three years from the date of purchase on power tools and chargers and seven years on batteries. The manufacturer is not responsible for direct, indirect, incidental or consequential damages. Some states and provinces do not allow limitations on how long an implied warranty lasts and/or do not allow the exclusion or limitation of incidental damages, so the above limitations and exclusions may not apply to you. This warranty gives you specific legal rights, and you may also have other rights which vary from state to state or province to province.

The YAT USA declines any responsibility in regard to civil liability arising from abusive use or not in conformity with proper use and maintenance of the machine as described in the operator's manual.

YAT USA is not responsible for direct, indirect, incidental or consequential damages.

After the purchase, the manufacturer recommends proper maintenance of the machine and to read the operator's manual before using the machine.

*Original purchase receipt may be required for proof of purchase

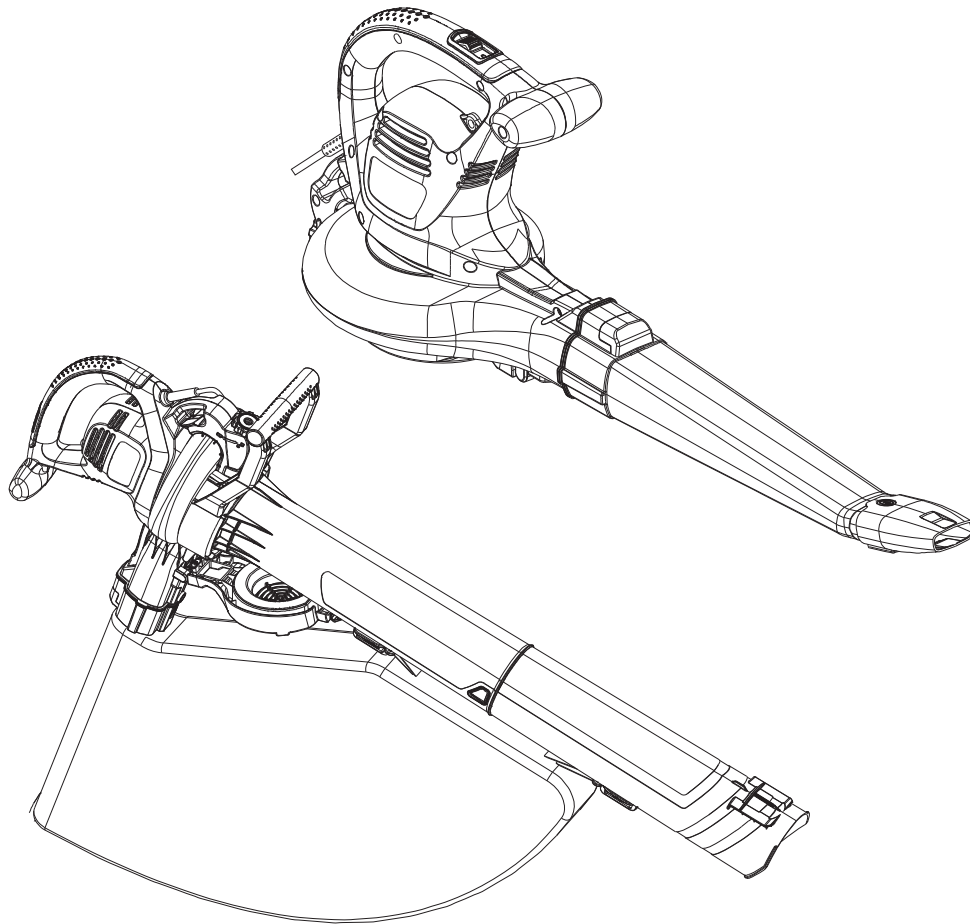
For customer service contact us toll free at 1-800-261-3981 or Senixtools.com.

YAT USA, Inc. 9048 E Bahia Dr, suite 105, Scottsdale, AZ 85260.



Motor de 12 amp. Sopladora y aspiradora eléctrica

Manual del operador
Modelo: BLVE12-M



Para el servicio de atención al cliente, llame al 1-800-261-3981 o envíe un correo electrónico a: Service@senixtools.com
GUARDE ESTE MANUAL PARA CONSULTAS FUTURAS.

ÍNDICE

SÍMBOLOS DE SEGURIDAD.....	17
DATOS TECNICOS.....	17
SEGURIDAD.....	18
UBICACION DE COMPONENTES.....	21
ENSAMBLAJE.....	22
OPERACIÓN.....	25
MANTENIMIENTO.....	27
PIEZAS.....	28
SOLUCIÓN DE PROBLEMAS.....	29
GARANTÍA.....	30

SÍMBOLOS DE SEGURIDAD



Para reducir el riesgo de lesiones, el usuario debe leer el manual de instrucciones.



Use protección para los oídos.



Use protección para los ojos.



Use máscara antipolvo.



Use protección para las manos.



Use calzado de seguridad antideslizante.



Evite las líneas eléctricas y use el producto en condiciones secas.



No exponer el producto a la lluvia.



Los objetos lanzados pueden rebotar y causar lesiones personales o daños a la propiedad.



Mantenga a todos los transeúntes al menos a 50 pies de distancia.



Indica peligro, advertencia o precaución. Precauciones relacionadas con su seguridad.



Desconecte del enchufe de la red eléctrica si el cable está dañado o enredado. **NO TOQUE EL CABLE ANTES DE DESCONECTAR LA CORRIENTE.**

ESPECIFICACIONES*

Modelo	BLVE12-M
Tensión nominal	120V a 60Hz
Corriente nominal	12A
Tipo de motor	Motor Universal
Velocidad sin carga	14000 /min
Velocidad máxima de aire	179 MPH
Volumen máximo de aire	420 CFM
Relación de mantillo	14:1
Capacidad de la bolsa	9.9 galones
Peso	8.2 lb. (3.72 kg)

MEDIDAS DE SEGURIDAD IMPORTANTES

Cuando se utilizan aparatos eléctricos, siempre se deben seguir las precauciones básicas, incluyendo las siguientes:

LEA TODAS LAS INSTRUCCIONES ANTES DE USAR ESTE APARATO



ADVERTENCIA:

Para reducir el riesgo de incendio, descarga eléctrica o lesiones:

No deje sin vigilancia el aparato (soplador) cuando esté enchufado. Desenchúfelo del tomacorriente cuando no esté en uso y antes de realizarle operaciones de mantenimiento.

- Tenga especial cuidado al limpiar en escaleras.
- No lo utilice sobre superficies mojadas.
- No permita que se utilice como si fuera un juguete. Es necesario prestar mucha atención cuando se utiliza por niños o cerca de ellos.
- Utilice el aparato únicamente como se describe en este manual. Utilice únicamente los accesorios recomendados por el fabricante.
- Mantenga el cabello, la ropa holgada, los dedos y todas las demás partes del cuerpo lejos de las partes móviles y de las aberturas.
- No lo use con un enchufe dañado. Si el aparato no funciona como debería, o si se ha caído, dañado, dejado al aire libre o caído en el agua, llévelo a un centro de servicio autorizado.
- Cuando lo use bajo luz directa del sol, manténgase alejado del agua.
- No exponga el aparato a la lluvia cuando está en funcionamiento.
- Almacene el aparato en interiores. No exponga el aparato a la lluvia ni al agua. Evite el sol directo.

CUANDO ESTÉ UTILIZANDO ESTE APARATO

No lo desenchufe tirando del cable. Para desenchufarlo, sujete el enchufe, no tire del cable. Apague todos los controles antes de desenchufar el aparato.

- No use herramientas eléctricas en ambientes explosivos, como ante la presencia de líquidos, gases o polvos inflamables. Las herramientas eléctricas generan chispas que pueden incendiar el polvo o los vapores.
- Nunca permita que los niños usen el aparato. Nunca permita que los adultos usen el aparato sin la instrucción adecuada.
- No cargue el aparato al aire libre.
- Use pantalones largos robustos, botas y guantes. Evite usar prendas sueltas o joyas que podrían quedar atrapadas en las partes móviles del aparato o en su motor.
- No fuerce el aparato. Use la herramienta eléctrica correcta para su aplicación. La herramienta correcta funcionará de forma más eficiente y segura cuando se utilice a la velocidad de funcionamiento para la

- que fue diseñada.
- No utilice el aparato descalzo ni con sandalias o calzado ligero similar.
- Use un calzado protector que proteja sus pies y mejore su estabilidad en superficies resbaladizas.
- Recójase el cabello largo por encima del hombro para evitar que se pueda enredar en las partes móviles.
- Mantenga los pies firmes y en equilibrio en todo momento. No extienda el cuerpo en exceso. Si se estira demasiado puede perder el equilibrio.
- No permita que los niños o las personas no instruidas en el uso del aparato lo utilicen.
- No use el aparato si el interruptor no lo enciende y apaga. Cualquier aparato que no pueda ser controlado con el interruptor es peligroso, y debe ser reparado.
- Mantenga a los transeúntes al menos a 50 pies (15 m) de distancia.
- Sólo para uso doméstico.
- No utilice esta herramienta cuando esté cansado, enfermo o bajo la influencia del alcohol, las drogas o los medicamentos.
- No use el aparato cuando haya poca iluminación.
- Mantenga las partes de su cuerpo alejadas de cualquier parte móvil y de las superficies calientes del aparato.
- No introduzca ningún objeto en las aberturas. No utilice el aparato si alguna de sus aberturas estuviera bloqueada. Mantenga las aberturas libres de polvo, pelusas, cabello y cualquier otra cosa que pueda reducir el flujo de aire.
- Examine el área de trabajo antes de cada uso. Retire todos los objetos que pudieran salir despedidos o que se puedan enganchar en el aparato, como piedras, vidrios rotos, clavos, alambres o cuerdas.
- Utilice únicamente piezas y accesorios de repuesto idénticos a los del fabricante. El uso de cualquier otra pieza puede crear un peligro o causar daños en el producto.

SEGURIDAD INFANTIL

Pueden ocurrir accidentes trágicos si el operador no es consciente de la presencia de niños.

- Mantenga a los niños fuera del área de trabajo y bajo el cuidado vigilante de un adulto responsable.
- No permita que los niños menores de 14 años utilicen este soplador. Los niños mayores de 14 años deben leer y entender las instrucciones de uso y las reglas de seguridad de este manual y deben ser entrenados y supervisados por su madre o su padre.
- Manténgase alerta y apague el soplador si un niño o cualquier otra persona entra en el área de trabajo.
- Tenga mucho cuidado al acercarse a esquinas ciegas, puertas, arbustos, árboles u otros objetos que puedan ocultar de su vista a un niño que pueda acceder al camino del soplador.

ADVERTENCIA (PROPOSICIÓN 65)

El polvo creado por las acciones de lijar, aserrar, moler,

taladrar y otras actividades de construcción contiene sustancias químicas que se sabe que causan cáncer, defectos de nacimiento u otros daños al sistema reproductor. Algunos ejemplos de estos productos químicos son:

- Plomo de pinturas a base de plomo
- Sílice cristalina de ladrillos y cemento y otros productos de albañilería, y
- Arsénico y cromo de madera tratada químicamente.

El riesgo de exposición a estos productos químicos varía en función de la frecuencia con la que se realice este tipo de trabajo.

Para reducir su exposición a estos productos químicos, trabaje en un área bien ventilada con equipos de seguridad aprobados, como máscaras antipolvo especialmente diseñadas para filtrar partículas microscópicas.

SEGURIDAD ELÉCTRICA



ADVERTENCIA:

No deje que los dedos entren en contacto con los terminales del enchufe al conectar o desconectar el cable de extensión del enchufe.

1. Las herramientas de doble aislamiento están equipadas con un enchufe polarizado, una clavija es más ancha que la otra, y requieren el uso de un cable de extensión polarizado. El enchufe de la herramienta se conecta a un cable de extensión polarizado en una sola posición. Si el enchufe no entra completamente en el cable de extensión, invierta el enchufe. Si el enchufe sigue sin entrar, obtenga un cable de extensión polarizado correcto. Un cable de extensión polarizado requerirá el uso de un tomacorriente polarizado. Este enchufe se conecta al tomacorriente polarizado en una sola posición. Si el enchufe no entra completamente en el tomacorriente, invierta el enchufe. Si el enchufe sigue sin entrar, póngase en contacto con un electricista calificado para instalar el tomacorriente adecuado. No modifique ni altere el enchufe del equipo, ni el receptáculo del cable de extensión, ni el enchufe del cable de extensión en modo alguno.
2. El doble aislamiento elimina la necesidad de usar un cable de alimentación conectado a tierra de tres hilos y de un sistema de alimentación conectado a tierra. Aplicable sólo a herramientas de clase II (doble aislamiento).
3. La protección del interruptor de circuito de falla a tierra (GFCI) debe proporcionarse en los circuitos o salidas que se utilizarán para el soplador. Hay receptáculos disponibles con protección GFCI integrada que pueden usarse para esta medida de protección.
4. Para evitar descargas eléctricas, utilice únicamente con un cable de extensión adecuado para uso al aire libre, como SW-A, SOW-A, STW-A, STOW-A, SJW-A, SJOW-A, SJTW-A, o SJTOW-A. Antes de su uso, compruebe que el cable de extensión está en buenas condiciones. Cuando utilice un cable de extensión, asegúrese de usar uno del calibre suficiente como para soportar la corriente que su

aparato. Para longitudes inferiores a 50 pies (15 m), se debe utilizar un cable de extensión N° 14 AWG (o superior). Otros cables de extensión pueden causar una caída de tensión, provocando una pérdida de potencia y un sobrecalentamiento.

5. Utilice un cable de extensión adecuado. Utilice SOLAMENTE los cables recomendados por Underwriters Laboratories (UL). Otros cables de extensión pueden causar una caída de tensión, provocando una pérdida de potencia y el sobrecalentamiento de la herramienta. Para esta herramienta se recomienda una medida AWG (American Wire Gauge) de al menos calibre 14 para un cable de extensión de 25 pies (7,62 m) o menos de longitud. Utilice un calibre 12 para un cable de extensión de 50 pies (15,24 m). No se recomiendan cables de extensión de 100 pies (30,48 m) o más. Recuerde, una medida de calibre de cable más pequeña tiene mayor capacidad que una medida mayor (un cable calibre 14 tiene más capacidad que un cable calibre 16; un cable calibre 12 tiene más capacidad que un cable calibre 14). En caso de duda, utilice el número más pequeño.

Calibre mínimo para cables de extensión

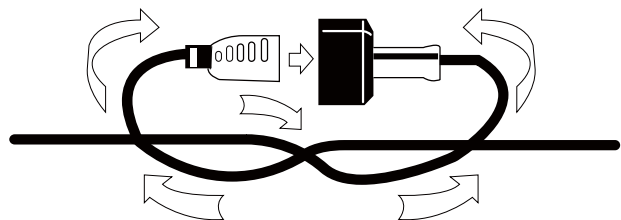
Voltios	Longitud total del cable en pies			
120 V	25	50	100	150

Amperaje

Más de / No más de	Calibre de alambre estadounidense			
0-6	18	16	16	14
6-10	18	16	14	12
10-12	16	16	14	12
12-16	14	12	No recomendado	

Para evitar que el cable del aparato se desconecte del cable de extensión durante el funcionamiento, haga un nudo con los dos cables como se muestra a continuación.

Amarre del cable de extensión



PRECAUCIÓN: Mantenga el cable de extensión alejado del área de trabajo. Coloque el cable de modo que no pueda quedar atrapado en arbustos, setos, troncos de árboles, cortadoras de pasto u otras obstrucciones mientras trabaja con el soplador.

- Para reducir el riesgo de descarga eléctrica, este aparato tiene un enchufe polarizado (es decir, una clavija es más ancha que la otra). Utilice este aparato únicamente con un cable de extensión polarizado con clasificación UL, CSA o ETL para uso al aire libre y en cualquier condición climática. El enchufe de

la herramienta se conecta a un cable de extensión polarizado en una sola posición.

Si el enchufe no entra completamente en el cable de extensión, invierta el enchufe. Si el enchufe sigue sin entrar, obtenga un cable de extensión polarizado correcto. Un cable de extensión polarizado requerirá el uso de un tomacorriente polarizado. Este enchufe del cable de extensión se conecta al tomacorriente polarizado en una sola posición. Si el enchufe no entra completamente en el tomacorriente, invierta el enchufe. Si el enchufe sigue sin entrar, póngase en contacto con un electricista calificado para instalar el tomacorriente adecuado. No modifique el enchufe del equipo, ni el receptáculo del cable de extensión, ni el enchufe del cable de extensión de modo alguno.

Advertencia – Para reducir el riesgo de lesiones personales debido a una conexión eléctrica desajustada entre el enchufe y el cable de extensión del aparato, conecte firme y completamente el enchufe del aparato al cable de extensión.

Compruebe periódicamente la conexión mientras está en funcionamiento para asegurarse de que está completamente conectada. No utilice un cable de extensión con una conexión desajustada. Una conexión desajustada puede provocar un sobrecalentamiento o un incendio y aumenta el riesgo de sufrir quemaduras.

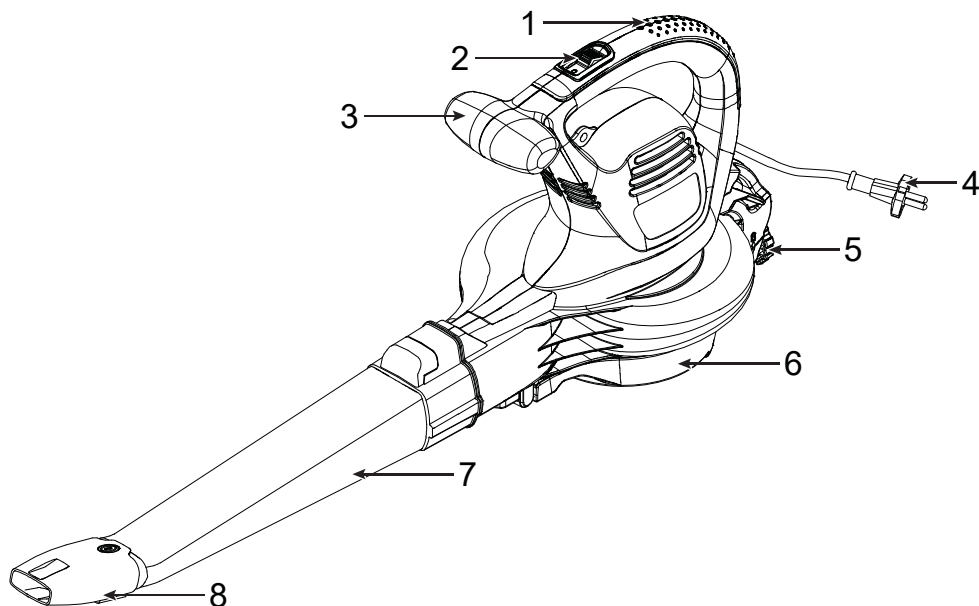
Preste atención al mantenimiento del aparato: Inspeccione los cables de extensión periódicamente y sustitúyalos si están dañados.

No maltrate el cable. Nunca tire del soplador por el cable ni tire del cable para desconectarlo del receptáculo. Mantenga el cable alejado del calor, el aceite y de bordes filosos.

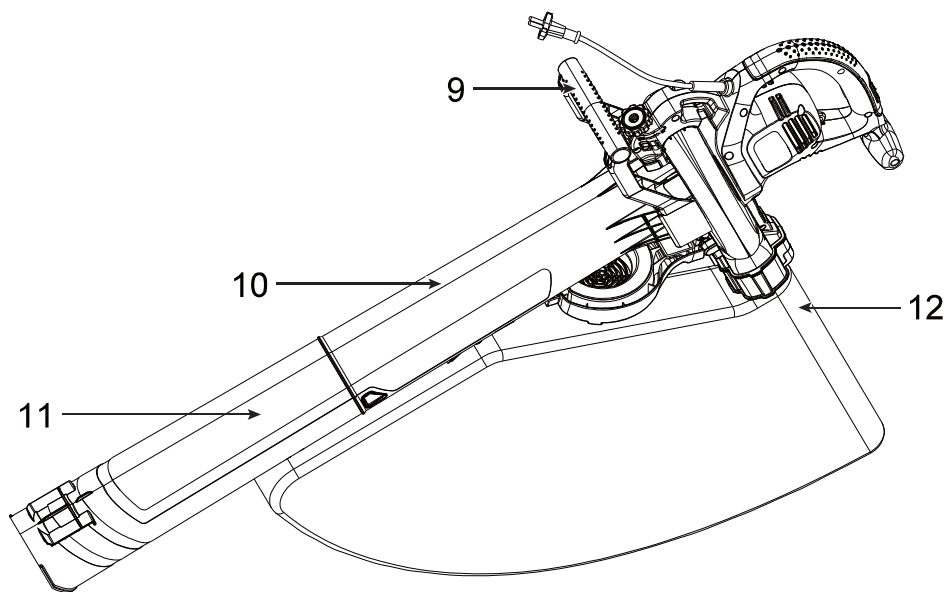
CONSERVE ESTE INSTRUCTIVO

UBICACIÓN DEL COMPONENTE

CONZCA SU sopladora/aspiradora/trituradora



1	Mango	5	Perilla de bloqueo
2	Interruptor de ENCENDIDO/ APAGADO	6	Cubierta de la entrada de aspiración
3	Mango auxiliar	7	Tubo de soplado
4	Enchufe	8	Boquilla de concentrador de soplado



9	Mango auxiliar	11	Tubo de aspiración/trituración trasero
10	Tubo de aspiración/trituración delantero	12	Bolsa colectiva

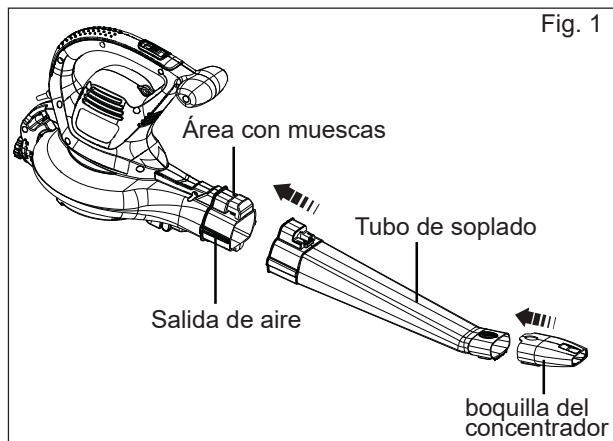


ADVERTENCIA:

Lea la sección INFORMACION IMPORTANTE DE SEGURIDAD que aparece al principio de este manual, incluyendo todo el texto bajo el subtítulo de dicha sección, antes de ensamblar o usar este producto.

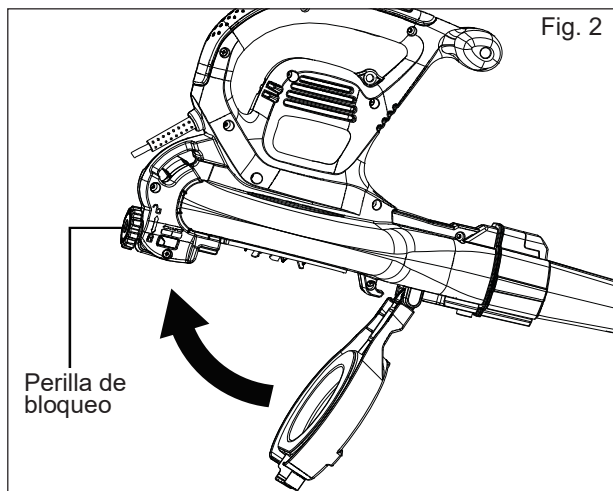
ENSAMBLAJE COMO SOPLADORA

1. Deslice el tubo de soplado hacia delante hasta que el área con muescas en la carcasa de la sopladora encaje en la ranura del tubo de soplado.
2. Inserte la boquilla del concentrador en el extremo del tubo de soplado hasta que encaje en su posición (Fig. 1).

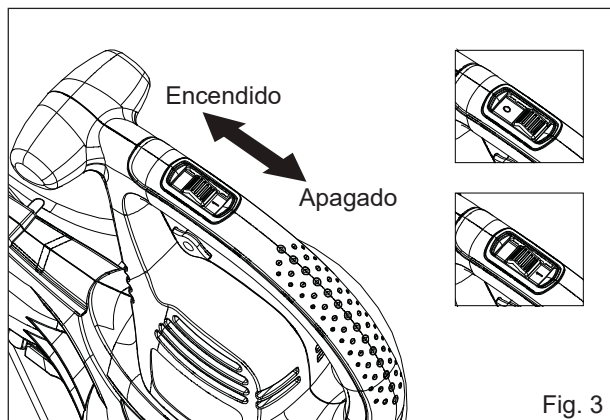


NOTA: La boquilla del concentrador se utiliza para aumentar el flujo de aire en áreas estrechas (es decir, alrededor de canchales de flores, debajo de terrazas, etc.).

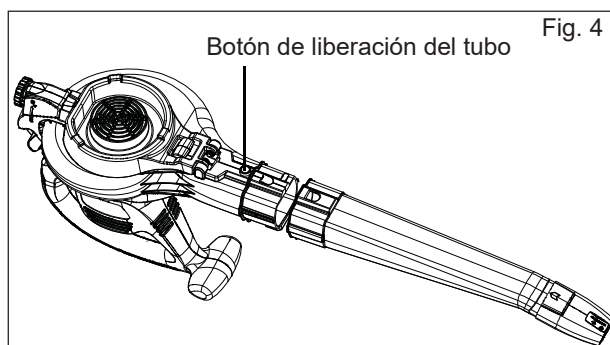
3. Antes de utilizar la función de soplado, gire la perilla de bloqueo para bloquear la cubierta (el indicador estará en la posición de extrema derecha, Fig. 2).



4. Para retirar el tubo de soplado, coloque el interruptor de ENCENDIDO/APAGADO en la posición de APAGADO (O) y desconecte la herramienta de la fuente de alimentación (Fig. 3).

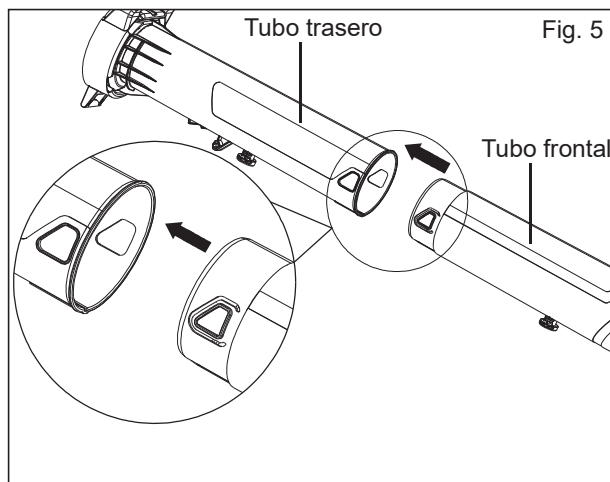


5. Presione el botón de liberación del tubo y retire el tubo de soplado (Fig. 4).

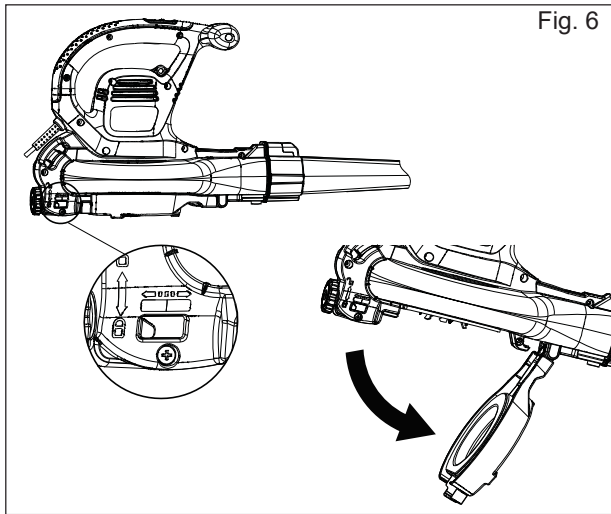


ENSAMBLAJE COMO SOPLADORA/TRITURADORA

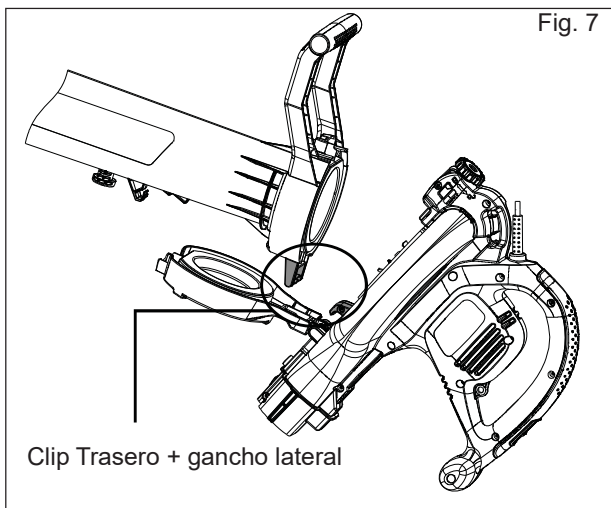
1. Deslice juntos los tubos de aspiración/trituración delanteros y traseros hasta que se enganche el botón de bloqueo (Fig. 5).



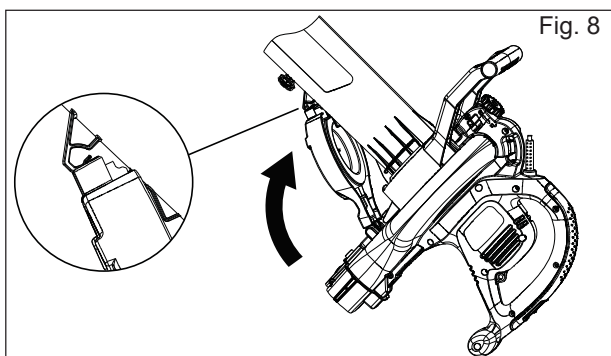
2. Gire la perilla de bloqueo para desbloquear la cubierta (el indicador está en la posición de extrema izquierda, Fig. 6).



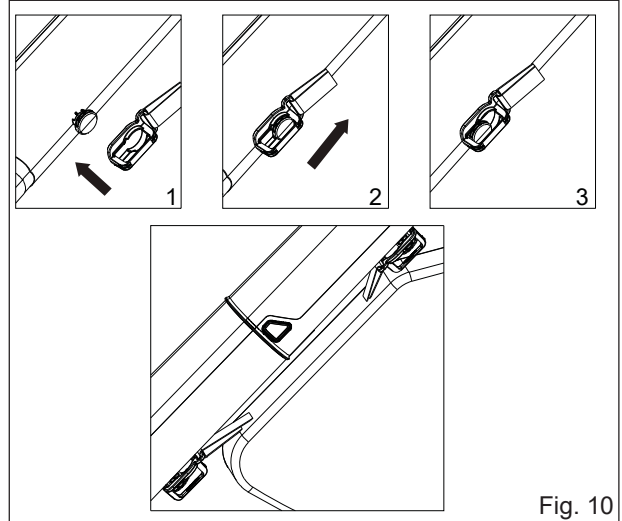
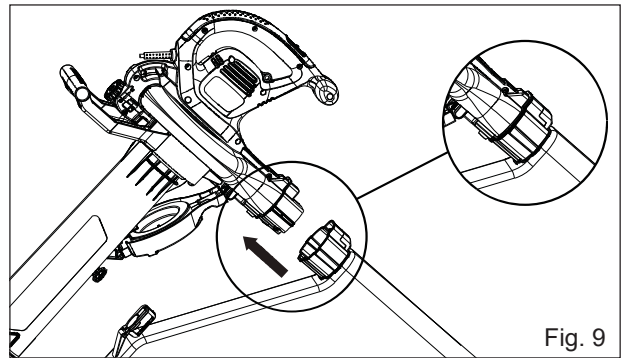
3. Con el tubo de soplado retirado, inserte el extremo lateral "enganchado" del tubo de trituración en el clip trasero del equipo. Gire la perilla de bloqueo para cerrar el tubo frontal (el indicador está en la posición de extrema derecha, Fig. 7).



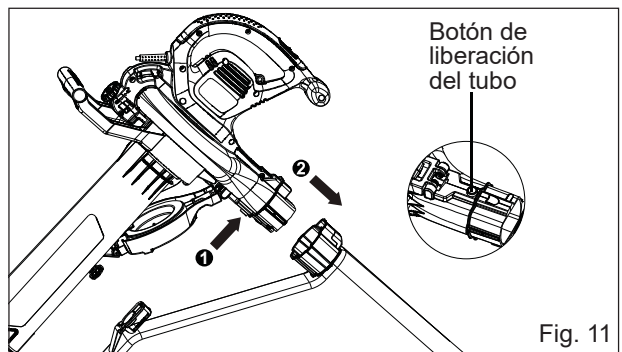
4. Haga que el gancho de intercubierta sea el gancho del tubo trasero (Fig. 8).



5. Inserte el adaptador de la bolsa de recogida en la salida de aire de soplado hasta que la bolsa de recogida esté firmemente sujeta (Fig. 9) y luego haga que el gancho de la bolsa sea el soporte de la correa en ambos lados del tubo (Fig. 10).



1. Para retirar la bolsa colectiva, suelte la bolsa del soporte de la correa en ambos lados del tubo, y simplemente presione el botón de liberación del tubo para retirar la bolsa (Fig. 11).



2. Para retirar el conjunto del tubo de aspiración/trituración, suelte la intercubierta del gancho del tubo, gire la perilla de bloqueo para desbloquear y luego retire el conjunto del tubo de su carcasa (Fig. 12).

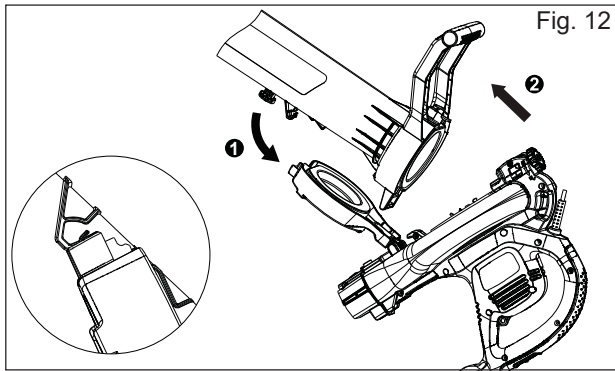


Fig. 12

NOTA: Es posible que deba retirar el tubo de soplado o los tubos de aspiración/trituración para desobstruir un tubo o impulsor obstruidos.

8. Asegúrese de desconectar el equipo de la fuente de alimentación antes de intentar eliminar cualquier obstrucción. El indicador de la perilla de bloqueo debe haberse introducido primero en el área negra; luego la máquina puede funcionar (Fig. 13).

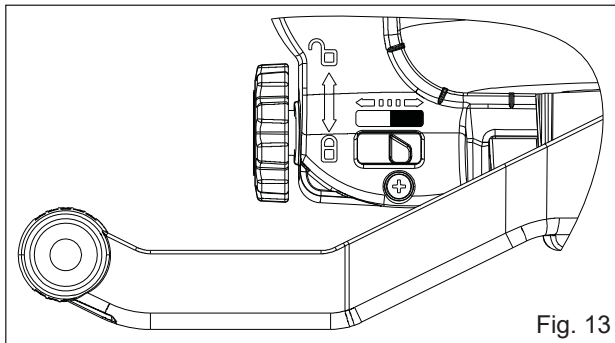


Fig. 13

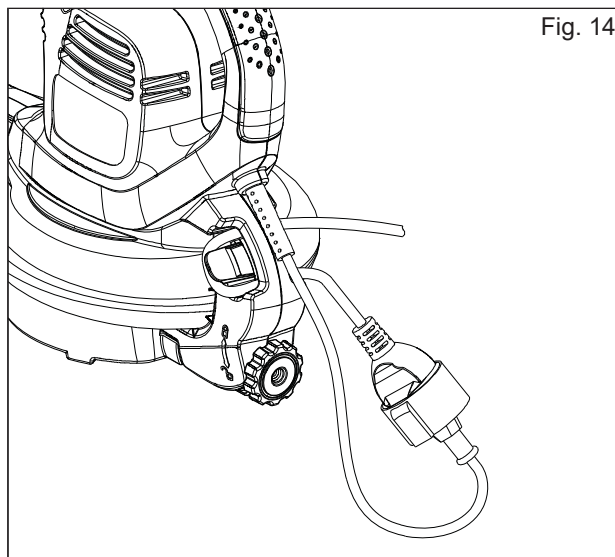
OPERACIÓN

ADVERTENCIA:

Lea la sección INFORMACION IMPORTANTE DE SEGURIDAD que aparece al principio de este manual, incluyendo todo el texto bajo el subtítulo de dicha sección, antes de ensamblar o usar este producto.

CONEXIÓN A UNA FUENTE DE ALIMENTACIÓN

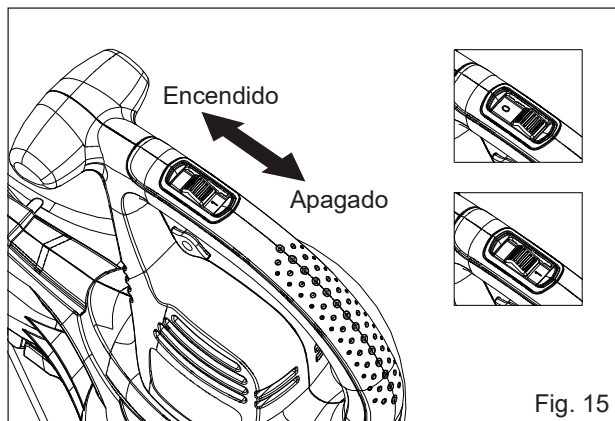
1. Fije el cable de extensión a la carcasa del motor utilizando el retenedor del cable situado en la parte posterior de la sopladora. Fijar el cable de extensión de esta manera evita la desconexión accidental del cable eléctrico durante el funcionamiento (Fig. 14).



2. Enchufe el extremo hembra del cable eléctrico en el receptáculo situado en la parte posterior del equipo.

ARRANQUE Y PARADA

1. Para arrancar la sopladora/aspiradora/trituradora eléctrica, deslice el interruptor de ENCENDIDO/APAGADO a la posición (1), este equipo está tiene una configuración de una velocidad (1) (Fig. 15).
2. Para detener el equipo, deslice el interruptor de ENCENDIDO/APAGADO a la posición (0) (Fig. 15).



CONSEJOS PARA LA OPERACIÓN

ADVERTENCIA:

Utilice la sopladora/aspiradora/trituradora sólo a la luz del día o con buena luz artificial.

- Cuando utilice la sopladora/aspiradora, plantes los pies firmemente en el suelo y coloque una mano en el mango del equipo y la otra en el mango auxiliar.
- Use equipos de protección personal durante su sesión de trabajo. Esto incluye botas, anteojos de seguridad, protectores de oídos, pantalones largos y una camisa de manga larga.
- Cuando utilice el equipo como trituradora, asegúrese de que la bolsa esté correctamente instalada y cerrada.
- Asegúrese de que la boquilla del tubo de soplado no esté dirigida a nadie ni a ningún residuo suelto antes de arrancar el equipo.
- Compruebe que el equipo esté en buen estado de funcionamiento. Asegúrese de que los tubos y protectores estén instalados y firmes.
- Asegúrese de que la cubierta de la entrada de aspiración/trituración esté completamente cerrada y bloqueada.
- Mantenga un agarre firme en los mangos o empuñaduras delanteros y traseros.
- Para reducir el riesgo de pérdida auditiva asociado a los niveles de sonido, se requiere protección auditiva.
- Use la correa para el hombro cuando utilice el equipo como trituradora.
- Use el equipo eléctrico solo en horas razonables, no temprano en la mañana ni tarde en la noche, ya que podría molestar a las personas. Respete los horarios indicados en las ordenanzas locales. Las recomendaciones habituales son de 9:00 a.m. a 5:00 p.m., de lunes a sábado.
- Para reducir los niveles de ruido, limite el número de equipos eléctricos que se usan en un momento dado y utilice las sopladoras eléctricas a la velocidad más baja posible que sea necesaria para realizar el trabajo.
- Use un rastrillo y una escoba para aflojar los residuos antes de soplar.
- En condiciones de polvo, moje ligeramente las superficies.
- Ahorre agua utilizando sopladoras eléctricas en lugar de mangueras para muchas aplicaciones de césped y jardín, incluyendo áreas como canalones, rejillas, terrazas, parrillas, portales y jardines.
- Sople los residuos en un área segura y abierta, lejos de niños, mascotas, ventanas abiertas o autos recién lavados.
- Limpie después de usar sopladoras de hojas y otros equipos de césped. Deseche los residuos adecuadamente.

ADVERTENCIA:

Para evitar lesiones personales graves, use protectores de oídos y anteojos de seguridad en todo momento cuando opere este equipo. Use un protector facial o máscara antipolvo en lugares polvorientos.

ADVERTENCIA:

Para evitar lesiones personales graves o daños al equipo, asegúrese de que el tubo de soplado o los tubos de trituración y la bolsa estén instalados antes de operar el equipo.

SALIDAS DE VENTILACIÓN

Nunca cubra las salidas de ventilación. Manténgalas libres de obstrucciones y residuos.. Siempre deben mantenerse desobstruidas para asegurar el adecuado enfriamiento del motor.

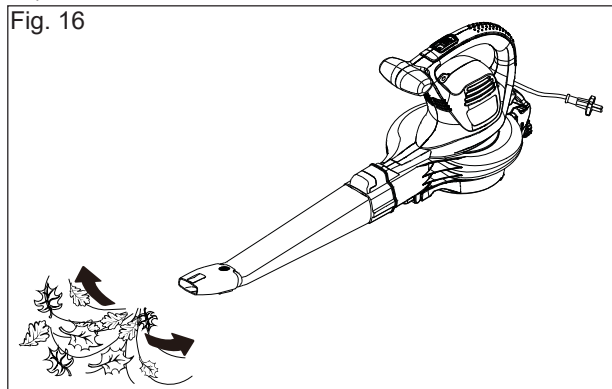
ADVERTENCIA:

Para evitar lesiones personales graves, no use ropa o artículos sueltos como bufandas, cuerdas, cadenas, corbatas, etc., que puedan ser arrastrados al interior de los conductos de ventilación. Atese el cabello largo hacia atrás para asegurar que no se introduzca en las salidas de ventilación.

MODO SOPLADORA

Sujete la sopladora firmemente con una mano en el mango principal y la otra mano en el mango auxiliar. Haga movimientos de barrido de un lado a otro con la boquilla situada a varias pulgadas sobre el suelo (Fig. 16).

Fig. 16

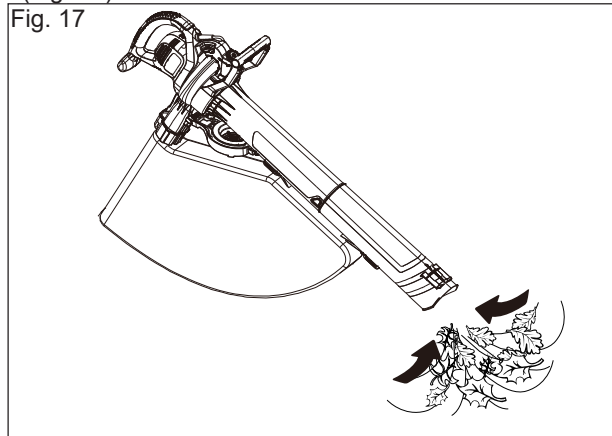


Haga avanzar lentamente el equipo, manteniendo la pila de residuos acumulados delante de usted. La mayoría de las operaciones de soplado en seco son más adecuadas a bajas velocidades que a altas velocidades. Soplar a alta velocidad es mejor para mover objetos más pesados, como grandes residuos o grava.

MODO ASPIRADORA/TRITURADORA

- Una vez que haya soplado los residuos / hojas formando una pila, puede pasar al modo de aspiración para recoger los residuos.
- Sujetando firmemente la aspiradora, realice un movimiento de barrido para recoger los residuos ligeros. Los residuos fluirán al interior de la bolsa. Artículos como hojas y ramas pequeñas serán triturados durante su paso a través de la carcasa del ventilador. Para prolongar la vida útil de la bolsa y mejorar el rendimiento, vacíe la bolsa con frecuencia (Fig. 17).

Fig. 17



- A medida que la bolsa se llena, la potencia de succión disminuye. Cuando esto suceda, coloque el interruptor de alimentación en la posición de APAGADO (0) y desconecte el equipo de la fuente de alimentación. Retire la bolsa y vacíela para eliminar los residuos.
- Para extraer la bolsa, presione el botón de liberación del tubo (Fig. 11). Para vaciar, sujete el mango plástico y agarre el mango de nylon en la parte inferior de la bolsa. Gire la bolsa boca abajo y sacúdala para eliminar los residuos y las hojas.

ADVERTENCIA:

Nunca retire la bolsa de recogida sin colocar primero el interruptor de alimentación en la posición de APAGADO (0) y desenchufar el equipo de la fuente de alimentación principal.

ADVERTENCIA:

No utilice el equipo en modo aspiradora/trituradora sin tener instalados los tubos de aspiración y la bolsa de recogida.

DESOBSTRUCCIÓN DE UN TUBO/IMPULSOR BLOQUEADO

ADVERTENCIA:

Para evitar lesiones personales graves, asegúrese de que el equipo esté apagado y desenchufado antes de desobstruir el impulsor.

ADVERTENCIA:

Para evitar lesiones personales graves, use siempre guantes para protegerse de las paletas del impulsor u otros objetos afilados.

Durante el proceso de aspiración, ciertos objetos como trozos de tela, sogas o palos de gran diámetro pueden obstruir el ventilador y bloquear el motor. Un dispositivo de protección térmica integrado en la sopladora aspiradora apagará el motor para evitar daños por sobrecalentamiento.

En caso de que se produzca una obstrucción y se reduzca la potencia:

1. Deslice el interruptor de ENCENDIDO/APAGADO a la posición de apagado (0) hasta que el equipo se detenga por completo.
2. Desconecte el equipo.
3. Retire el tubo de soplado o los tubos de aspiración/trituración y la bolsa.
4. Usando guantes de protección, retire cuidadosamente el material que obstruye el tubo o el impulsor. Inspeccione las paletas para asegurarse de que no estén dañadas. Gire las paletas del impulsor a mano para asegurarse de que la obstrucción haya desaparecido completamente.
5. Vuelva a instalar el tubo de soplado o los tubos de aspiración/trituración y la bolsa.
6. Espere 3 minutos hasta que el motor se enfríe.
7. Vuelva a conectar el equipo a la fuente de alimentación y coloque el interruptor de ENCENDIDO/APAGADO en la posición (1). La sopladora aspiradora reanudará su funcionamiento normal.



ADVERTENCIA:

Lea la sección INFORMACION IMPORTANTE DE SEGURIDAD que aparece al principio de este manual, incluyendo todo el texto bajo el subtítulo de dicha sección, antes de dar mantenimiento a este producto.

El mantenimiento normal, el reemplazo o la reparación de dispositivos y sistemas de control de emisiones pueden ser realizados por cualquier establecimiento o técnico de reparación calificado con piezas originales o equivalentes. Las reparaciones en el marco de la garantía y de llamadas a revisión deben ser realizadas por un centro de servicio autorizado; póngase en contacto con el servicio de atención al cliente para obtener asistencia.



ADVERTENCIA:

Desconecte el cable de extensión antes de realizar cualquier tarea de mantenimiento.

Si el cable de extensión está conectado al aparato, alguien podría encender accidentalmente el equipo mientras realiza tareas de mantenimiento en este, pudiendo provocar lesiones personales graves.

LIMPIEZA



ADVERTENCIA:

Para evitar lesiones personales graves, apague siempre el equipo y desconéctelo antes de limpiarlo o repararlo.

Utilice un cepillo pequeño para limpiar el exterior del equipo. No utilice detergentes fuertes, limpiadores domésticos que contengan aceites aromáticos (por ejemplo, pino y limón) o disolventes agresivos como el queroseno, ya que estas sustancias pueden dañar la carcasa plástica o los mangos. Use un paño suave y seco para secar el equipo.

1. Vacíe la bolsa después de cada uso para evitar el deterioro y la obstrucción del flujo de aire, lo que reducirá el rendimiento de la trituradora.
2. Use protección para los ojos y una máscara antipolvo. Limpie la bolsa según sea necesario. Invierta la bolsa de adentro hacia afuera después del vaciado inicial y sacúdala vigorosamente para eliminar el polvo y los residuos.
3. Lave la bolsa una vez al año o con más frecuencia si es necesario. Siga los pasos que se indican a continuación:
 - i. Retire la bolsa.
 - ii. Invierta la bolsa de adentro hacia afuera.
 - iii. Cuélguela.
 - iv. Lávela con una manguera.
 - v. Déjala colgada para que se seque.
 - vi. Invierta la bolsa con el lado derecho hacia arriba y vuelva a instalarla.

ALMACENAMIENTO

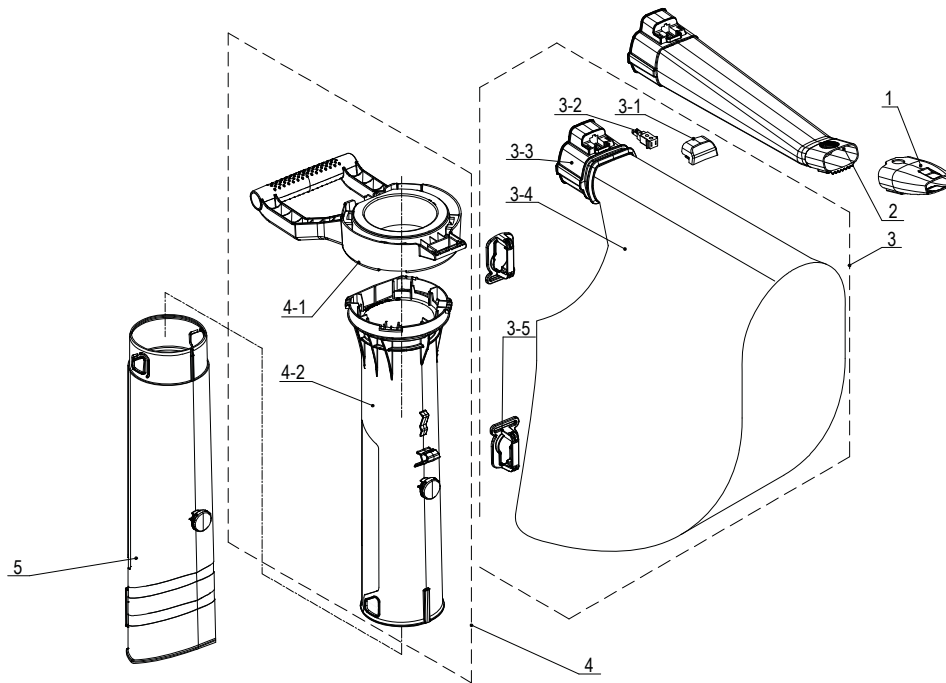
Examine minuciosamente el cable de extensión en busca de signos de desgaste o daño excesivos. Si están desgastadas o dañadas, reemplácelas inmediatamente.

Desconecte el cable de extensión de la sopladora/ aspiradora/trituradora eléctrica antes de guardarla. Guarde el cable con la sopladora/aspiradora/trituradora eléctrica bajo techo, en un lugar limpio, seco y cerrado con llave, fuera del alcance de los niños y los animales.

NOTA: Hay dispositivos de retención de cables de extensión disponibles comercialmente en caso de que desee comprar uno.

PIEZAS

VISTA DETALLADA



PIEZAS

N.º	N.º de pieza	Descripción	Ctd.
1	202041000012	Boquilla plana	1
2	202054000039	Tubo de soplado	1
3	199068000012	Conjunto de bolsa de polvo	1
3-1	202030001729	Protector	1
3-2	202999001785	Bloque de terminal macho tipo U	1
3-3	202154000009	Tubo curvo	1
3-4	299010000031	Bolsa de polvo	1
4	199049000033	Componentes del conducto	1
4-1	202024002548	Mango	1
4-2	202155000033	Tubo de soplado	1
5	202155000034	Tubo de soplado	1

Para piezas de repuesto, envíe un correo electrónico a: parts@SENIXtools.com.

SOLUCIÓN DE PROBLEMAS



ADVERTENCIA:

Desenchufe siempre el cable de alimentación antes de realizar cualquier ajuste, mantenimiento o reparación de la sopladora aspiradora eléctrica.

SÍNTOMA	POSIBLE CAUSA	ACCIONES RECOMENDADAS
El equipo no sopla ni tritura	1. Bolsa llena	1. Vaciar la bolsa.
	2. Tubo obstruido	2. Desobstruir.
	3. Impulsor obstruido	3. Desobstruir.
	4. Bolsa sucia	4. Limpiar la bolsa.
	5. Bolsa rota	5. Reemplazar la bolsa.
	6. Bolsa abierta	6. Cerrar la bolsa.
	7. Equipo desconectado	7. Conectar a un tomacorriente o a un cable de extensión.
El equipo no arranca	1. El equipo está desconectado	1. Comprobar el cable para asegurarse de que está conectado a un tomacorriente.
	2. El interruptor de alimentación/ velocidad está en posición de APAGADO (0).	2. Deslizar el interruptor posición de ENCENDIDO (1)
	3. Interruptor de alimentación defectuoso.	3. Contactar al servicio de atención al cliente de Senix al 1-800-261-3981.
	4. Los tubos de aspiración no están correctamente instalados.	4. Comprobar los tubos de aspiración y asegurar que estén correctamente instalados para permitir que se enganche el interruptor.
	5. La puerta de admisión/cubierta no está cerrada.	5. Asegurar que la puerta/cubierta esté completamente cerrada y bloqueada.
	6. Puede haberse disparado un disyuntor del circuito eléctrico de la casa.	6. Verificar el panel de disyuntores eléctricos y restablecerlo si es necesario.



AVISO:

Como propietario del equipo, usted es responsable de efectuar el mantenimiento requerido que se indica en la sección Mantenimiento. Se recomienda conservar todos los recibos que justifican el mantenimiento de su equipo. Descuidar o no realizar el mantenimiento requerido puede aumentar las emisiones, disminuir la eficiencia del combustible, reducir el rendimiento, causar daños irreversibles al motor o anular su garantía.

GARANTÍA

GARANTÍA LIMITADA DE DOS AÑOS

Este producto Senix se garantiza DURANTE DOS AÑOS, a partir de la fecha original de compra en un comercio minorista, contra defectos de materiales o mano de obra en herramientas eléctricas y cargadores. El producto defectuoso se reparará gratuitamente.*

Este producto Senix se garantiza DURANTE DOS AÑOS, a partir de la fecha original de compra en un comercio minorista, contra defectos de materiales o mano de obra en baterías. El producto defectuoso se reparará gratuitamente.*

Esta garantía no cubre el desgaste normal de piezas y componentes como la cadena de corte, la tubería o las paletas, ni cubre el costo de transporte del producto para recibir servicio de garantía o reparación.

La garantía está sujeta a las siguientes condiciones:

- La garantía se aplica al comprador original en comercio minorista y no es transferible*
- Registro de garantía en www.senixtools.com
- La herramienta no se ha sometido a uso incorrecto, abuso, negligencia, alteración o modificación y no ha sido reparada fuera de un centro de servicio autorizado
- Solo se han utilizado accesorios originales de Senix con o en este producto
- La herramienta presenta un desgaste normal
- La herramienta no se ha utilizado con fines comerciales o profesionales
- La herramienta no se ha utilizado con fines de alquiler
- Esta garantía solo cubre defectos que ocurran bajo el uso normal y no cubre casos de mal funcionamiento, fallo o defecto que emanen de un uso incorrecto, abuso (incluyendo sobrecarga del producto, exposición al agua o la lluvia), accidentes, negligencia e instalación, mantenimiento o almacenamiento inadecuados.

Para localizar a su proveedor de servicios de Senix más cercano, llame gratis al 800-261-3981 o envíenos un correo electrónico a service@senixtools.com.

Limitaciones adicionales

Cualquier garantía implícita otorgada en virtud de las leyes estatales, incluidas las garantías de comerciabilidad o idoneidad para un propósito particular, se limita a tres años a partir de la fecha de compra para herramientas eléctricas y cargadores y siete años para baterías. El fabricante no asume ninguna responsabilidad por daños directos, indirectos, incidentales o consecuentes. Algunos estados y provincias no permiten limitaciones en cuanto a la duración de una garantía implícita o no permiten la exclusión o limitación de daños incidentales, por lo que es posible que las limitaciones y exclusiones anteriores no se apliquen a usted. Esta garantía le otorga derechos legales específicos, y usted también puede tener otros derechos que varían de un estado a otro o de una provincia a otra.

YAT USA no asume ninguna responsabilidad con respecto a la responsabilidad civil que emane de un uso abusivo o no conforme al uso y mantenimiento adecuados de la máquina, descritos en el manual del operador.

YAT USA no asume ninguna responsabilidad por daños directos, indirectos, incidentales o consecuentes.

Después de la compra, el fabricante recomienda el mantenimiento adecuado de la máquina y leer el manual del operador antes de utilizar la máquina.

*Se puede exigir un recibo de compra original como justificante de compra

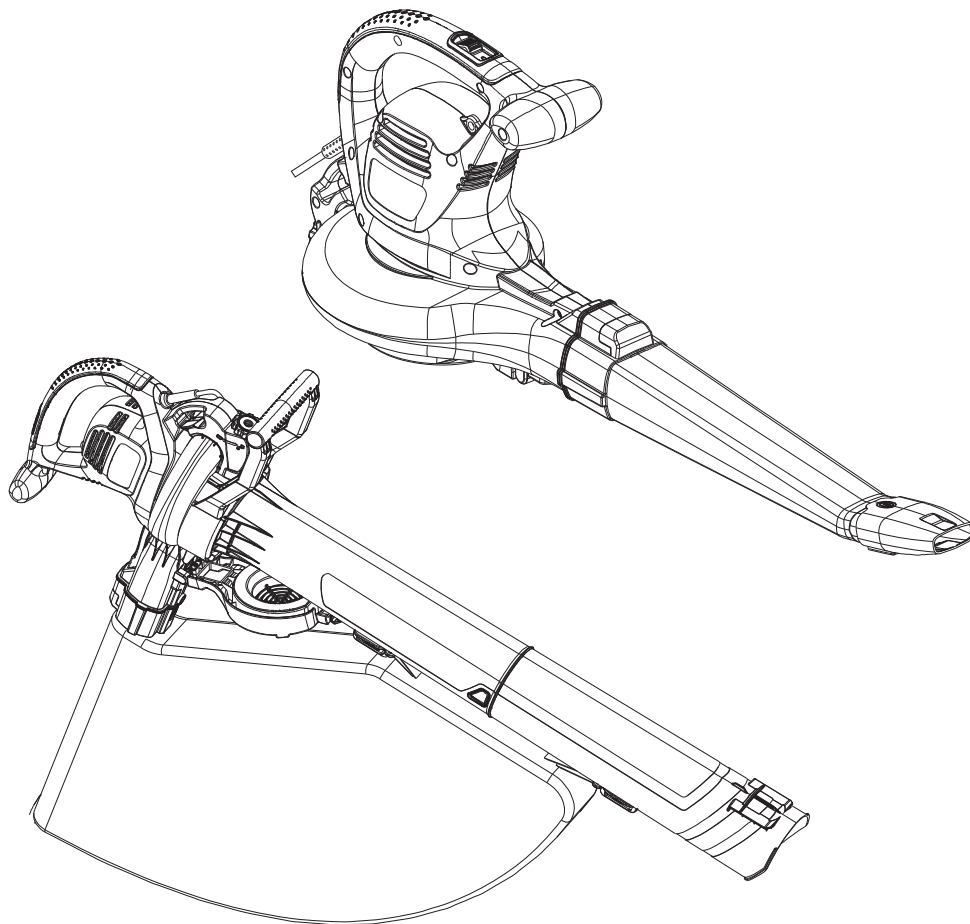
Para acceder al servicio de atención al cliente, póngase en contacto con nosotros llamando al número gratuito 1-800-261-3981 o visitando Senixtools.com.

YAT USA, Inc. 9048 E Bahia Dr, suite 105, Scottsdale, AZ 85260.



Moteur de 12 amp Aspirateur et souffleur électrique

Mode d'emploi
Modèle: BLVE12-M



Pour rejoindre le service à la clientèle, veuillez composer le 1-800-261-3981 ou envoyez un courriel à: Service@senixtools.com

CONSERVEZ CE MODE D'EMPLOI POUR TOUTE CONSULTATION ULTÉRIEURE.

8458-A072012001-001

TABLE DES MATIÈRES

SYMBOLES DE SÉCURITÉ.....	32
DONNÉES TECHNIQUES.....	32
SÉCURITÉ	33
EMPLACEMENT DES COMPOSANTS.....	36
ASSEMBLAGE.....	37
UTILISATION.....	40
ENTRETIEN.....	42
PIÈCES.....	43
DÉPANNAGE.....	44
GARANTIE.....	45

SYMBOLES DE SÉCURITÉ



Pour réduire le risque de blessures, l'utilisateur doit lire le mode d'emploi.



Portez une protection auditive.



Portez des lunettes de protection.



Portez un masque antipoussière.



Portez des gants de protection.



Portez des chaussures de protection antidérapantes.



Prenez garde à ne pas couper les fils électriques; utilisez l'appareil par temps sec.



Ne laissez pas l'appareil sous la pluie.



Des objets projetés peuvent ricocher et entraîner des blessures corporelles et des dégâts matériels.



Assurez-vous que toutes les personnes restent à une distance d'au moins 15 m.



Indique un danger, un avertissement ou une mise en garde.
Précautions qui impliquent votre sécurité.



Débranchez le câble d'alimentation de la prise si celui-ci est endommagé ou emmêlé.
NE TOUCHEZ PAS LE CÂBLE AVANT D'AVOIR COUPÉ L'ALIMENTATION.

SPÉCIFICATIONS*

Modèle:	BLVE12-M
Tension nominale	120 ~ 60Hz
Courant nominal	12A
Assemblage du moteur	Moteur universel
Vitesse à vide:	14 000 /min.
Rapidité maximale de l'air:	288 KM/H
Volume d'air maximal	11,9 m ³ /min
Ratio	14:1
Capacité du sac	45 L
Poids	3,72 kg

INSTRUCTIONS IMPORTANTES DE SÉCURITÉ

Lorsque vous utilisez un appareil électrique, des précautions élémentaires doivent toujours être respectées, parmi lesquelles :
LISEZ TOUTES LES INSTRUCTIONS AVANT D'UTILISER CET APPAREIL.



AVERTISSEMENT:

Pour réduire le risque d'incendie, de choc électrique ou de blessures :

Ne laissez pas l'appareil (souffleur) sans surveillance une fois branché. Débranchez l'appareil de la prise électrique quand vous ne l'utilisez pas et avant de le réparer.

- Faites extrêmement attention lorsque vous nettoyez des escaliers.
- N'utilisez pas cet appareil sur des surfaces humides.
- Ne laissez pas les enfants jouer avec cet appareil. Une attention particulière est nécessaire lorsqu'il est utilisé par ou près d'enfants.
- Utilisez uniquement comme décrit dans ce manuel d'utilisation. Utilisez uniquement les accessoires recommandés par le fabricant.
- Maintenez les cheveux, les vêtements amples, les doigts et toutes les parties du corps à distance des ouvertures et des pièces en mouvement.
- N'utilisez pas l'appareil si sa fiche est endommagée. Si l'outil ne fonctionne pas comme il devrait, s'il est tombé, endommagé, laissé à l'extérieur, ou s'il est tombé dans l'eau, apportez-le à un centre de réparation agréé.
- Lors d'une utilisation sous la lumière directe du soleil, veillez à garder l'appareil éloigné de l'eau.
- N'exposez pas l'appareil à la pluie pendant l'utilisation.
- Rangez l'appareil en intérieur. N'exposez pas l'appareil à la pluie ou à l'eau. Évitez la lumière directe du soleil.

LORS DE L'UTILISATION DE CET APPAREIL

Ne débranchez pas l'appareil en tirant sur le cordon d'alimentation. Pour débrancher l'appareil, saisissez la fiche et non le câble d'alimentation.

Éteignez toutes les commandes avant de le débrancher.

- N'utilisez pas un outil électrique dans une atmosphère explosive, par exemple en présence de liquides, de gaz ou de poussières inflammables. Les outils électriques génèrent des étincelles pouvant enflammer les poussières et les vapeurs.
- Ne permettez jamais aux enfants d'utiliser cet appareil. Ne laissez jamais des adultes utiliser l'appareil sans instructions appropriées.
- Ne chargez pas cet appareil en extérieur.
- Portez des pantalons longs, des bottes et des gants. Ne portez pas de vêtements amples, ni de bijoux, car ils risquent d'être entraînés dans les pièces mobiles.
- Ne forcez pas l'appareil. Utilisez l'outil électrique approprié au travail que vous voulez effectuer. L'outil approprié fonctionnera plus efficacement et en toute

sécurité s'il est utilisé à la vitesse à laquelle il a été conçu.

- N'utilisez pas l'appareil quand vous êtes pieds nus ou si vous portez des sandales ou des chaussures légères similaires.
- Portez des chaussures de protection qui permettent de protéger vos pieds et avoir de meilleurs appuis sur les sols glissants.
- Attachez les cheveux longs pour qu'ils soient au-dessus des épaules afin d'éviter tout risque d'enchevêtrement dans les pièces mobiles.
- Restez toujours d'aplomb et gardez constamment un bon équilibre. Ne tenez pas d'atteindre des endroits éloignés de votre corps. Cela pourrait provoquer une perte d'équilibre.
- Ne laissez pas des enfants ou des personnes non entraînées utiliser cet appareil.
- N'utilisez pas l'outil électrique si son interrupteur ne permet pas de le mettre sous tension et hors tension. Tout outil qui ne peut pas être contrôlé avec l'interrupteur marche/arrêt est dangereux et doit être réparé.
- Gardez tous les passants, les enfants et les animaux domestiques à une distance d'au moins 50 pieds. (15 m).
- Pour un usage domestique seulement.
- N'utilisez pas cet appareil quand vous êtes fatigué(e), malade ou sous l'influence d'alcool, de drogues ou de médicaments.
- Ne faites pas fonctionner l'appareil sous un faible éclairage.
- Veillez à maintenir toutes les parties de votre corps éloignées du mécanisme de coupe et des surfaces chaudes.
- N'insérez aucun objet dans les ouvertures. N'utilisez pas cet appareil avec des ouvertures bouchées. Veillez à ce que les ouvertures de ventilation restent exemptes de poussière, peluches, cheveux et tout ce qui pourrait réduire le flux d'air.
- Vérifiez la zone de travail avant chaque utilisation. Enlevez tous les objets tels que les pierres, le verre brisé, les clous, les fils métalliques ou les ficelles qui pourraient être projetés ou coincés dans l'outil.
- Utilisez uniquement des pièces de rechange et des accessoires du fabricant. L'utilisation de toute autre pièce peut créer un danger ou détériorer le produit.

SÉCURITÉ DES ENFANTS

Un accident tragique peut se produire si l'utilisateur ne garde pas à l'esprit que des enfants sont présents.

- Veillez à ce que les enfants restent hors de l'aire de travail et sous la surveillance d'un adulte responsable.
- Ne laissez pas les enfants de moins de 14 ans pour faire fonctionner ce souffleur. Les enfants âgés de 14 ans et plus doivent lire et comprendre les instructions d'utilisation et les règles de sécurité de ce manuel et doivent être formés et supervisés par un parent.
- Restez vigilant(e) et éteignez le souffleur si un enfant

- ou une autre personne pénètre dans l'aire de travail.
- Faites extrêmement attention lorsque vous vous approchez d'angles morts, de portes, d'arbustes, d'arbres ou de tout autre objet susceptible de gêner votre vue car un enfant, par exemple, pourrait courir sur le passage du souffleur.

AVERTISSEMENT (PROPOSITION 65)

Certaines poussières engendrées par ponçage, sciage, meulage, perçage et d'autres travaux du domaine de la construction contiennent des substances chimiques considérées comme cancérigènes, tératogènes ou nocives pour les fonctions reproductrices. Liste non exhaustive de ces substances :

- Plomb contenu dans les peintures au plomb.
- Silice cristalline des briques, du ciment et d'autres matériaux de construction, et
- L'arsenic et le chrome du bois de construction traité chimiquement.

Les risques engendrés par l'exposition à ces substances dépendent de la fréquence de ce type de travaux.

Pour réduire votre exposition à ces produits chimiques, travaillez dans des endroits bien aérés et en utilisant des équipements de sécurité homologuée, tels que des masques anti-poussières spécifiquement conçus pour filtrer les particules microscopiques.

SÉCURITÉ ÉLECTRIQUE



AVERTISSEMENT :

Ne touchez pas les bornes de la fiche lors du branchement ou du débranchement de la rallonge de la prise.

- Les outils à double isolation sont équipés d'une fiche polarisée (l'une des broches est plus large que l'autre et nécessite l'utilisation d'une rallonge électrique polarisée). La fiche de l'appareil ne peut s'insérer dans une rallonge électrique polarisée que dans un seul sens. Si la prise ne s'insère pas complètement dans la prise secteur, inversez la prise. Si la prise ne correspond toujours pas, procurez-vous une rallonge polarisée appropriée. Une rallonge polarisée doit être branchée sur une prise murale polarisée. Cette prise d'alimentation ne pourra être insérée que d'une seule façon dans une prise polarisée. Si la prise ne s'insère pas complètement dans la prise secteur, inversez la prise. Si la fiche ne s'insère toujours pas, contactez un électricien qualifié pour l'installer correctement dans une prise. Sous aucun prétexte ne pouvez-vous modifier la fiche de l'appareil, le réceptacle de la rallonge électrique ou la fiche de la rallonge électrique.
- La double isolation élimine le besoin d'un câble d'alimentation à trois fils et d'un système d'alimentation habituel relié à la terre. Applicable uniquement aux outils de classe II (à double isolation).
- Un disjoncteur de protection à la terre (DDFT) doit être fourni sur le(s) circuit(s) de sortie d'air pour utiliser le souffleur. Les boîtiers sont disponibles avec

une protection GFCI intégrée et doivent être utilisés pour cette mesure de protection.

- pour éviter un choc électrique, utilisez exclusivement une rallonge électrique adaptée à un usage en extérieur, par exemple un, SW-SEMEZ-A, STW-A, SJW POUR RANGER-A, un, SJOW-A, SJTW-A, ou SJTOW-A. Avant l'utilisation, assurez-vous que la rallonge est en bon état électrique. Lorsque vous utilisez une rallonge, veillez à en utiliser une suffisamment puissante pour supporter le courant que votre produit consommera. Pour une longueur inférieure à 50 pieds (15 m), une rallonge électrique de type No.14 AWG (ou supérieur) doit être utilisée. Une rallonge sous-dimensionnée provoquera une chute de tension entraînant une perte de puissance et une surchauffe.
- Utilisez une rallonge électrique appropriée. Utilisez exclusivement des rallonges électriques listées par les «Underwriters Laboratories» (UL). D'autres types de rallonges électriques peuvent provoquer une baisse de tension, ce qui peut provoquer une perte de puissance et la surchauffe de l'outil. Pour cet outil, un calibre d'au moins 14 AWG (unité de mesure américaine des fils électriques) est recommandé, pour une rallonge d'une longueur de 25 pieds au plus. Utilisez un calibre 12 pour une rallonge de 50 pieds. Les rallonges électriques de 100 pieds ou plus ne sont pas recommandées. N'oubliez pas que les fils électriques de plus petit calibre ont une plus grande capacité que les câbles de grand calibre (un câble de calibre 14 a une plus grande capacité qu'un câble de calibre 16 et un câble de calibre 12 a une plus grande capacité qu'un câble de calibre 14). En cas de doute, utilisez un calibre plus petit.

Calibre minimal des rallonges

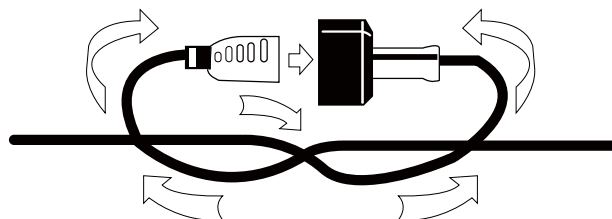
Volts	Longueur totale du câble en pieds			
120 V	7,62 m	15,24 m	30,5 m	45,7 m

Ampères

Plus que / pas plus de	AWG			
0-6	18	16	16	14
6-10	18	16	14	12
10-12	16	16	14	12
12-16	14	12	Non recommandé	

Pour éviter que le câble d'alimentation de l'appareil ne se débranche pendant l'utilisation de la rallonge électrique, faites un nœud avec les deux câbles comme illustré ci-dessous.

Rallonge de sécurité



ATTENTION : Gardez la rallonge éloignée de la zone de travail. Positionnez le câble de sorte qu'il ne soit pas happé par les arbustes, les haies, les troncs d'arbres, les tondeuses à gazon ou tout autre obstacle quand vous travaillez avec l'aspirateur-souffleur.

- Pour réduire le risque de choc électrique, cet appareil est pourvu d'une fiche polarisée (l'une des broches est plus large que l'autre). Utilisez cet appareil exclusivement avec une UL, CSA ou CERTIFICATIONS ETL rallonge nominale pour un usage en extérieur, utilisez tout temps. La fiche de l'appareil ne peut s'insérer dans une rallonge électrique polarisée dans un seul sens uniquement.

Si la fiche ne s'insère pas complètement dans la prise secteur, inversez la prise. Si la prise ne correspond toujours pas, procurez-vous une rallonge polarisée appropriée. Une rallonge polarisée doit être branchée sur une prise murale polarisée. Cette prise d'alimentation ne pourra être insérée que d'une seule façon dans une prise polarisée. Si la prise ne s'insère pas complètement dans la prise secteur, inversez la prise. Si la fiche ne s'insère toujours pas, contactez un électricien qualifié pour l'installer correctement dans une prise. Ne modifiez pas la prise de l'appareil, le boîtier de la rallonge ou la prise de la rallonge de quelque manière que ce soit.

Avertissement – afin de réduire les risques de blessures corporelles dus à une connexion électrique entre la fiche de l'appareil et la rallonge électrique, fixez fermement et complètement l'appareil branché sur une rallonge électrique. Inspectez régulièrement la connexion pendant l'utilisation pour vérifier qu'il n'est pas entièrement assemblé. N'utilisez pas de rallonge électrique fournissant une connexion. Une connexion lâche peut provoquer une surchauffe, un incendie, et accroît le risque de brûlure.

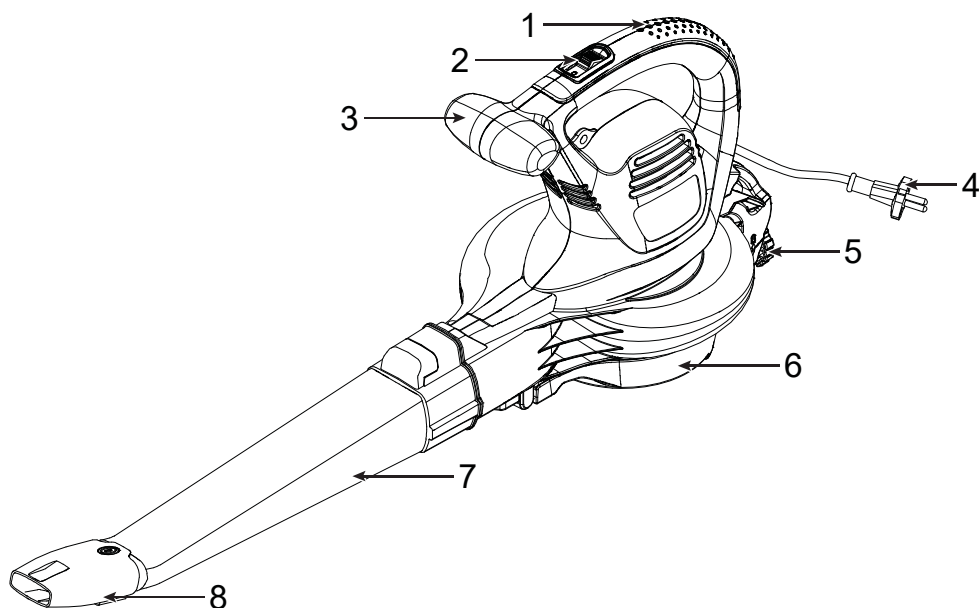
Entretenez votre appareil - Inspectez périodiquement la rallonge et remplacez-la si elle est endommagée.

Prenez soin du câble d'alimentation. Ne transportez jamais le souffleur en le tenant par son câble et ne tirez par sur le câble pour le déconnecter de la prise. Gardez le câble éloigné de la chaleur, de l'huile et des arêtes vives.

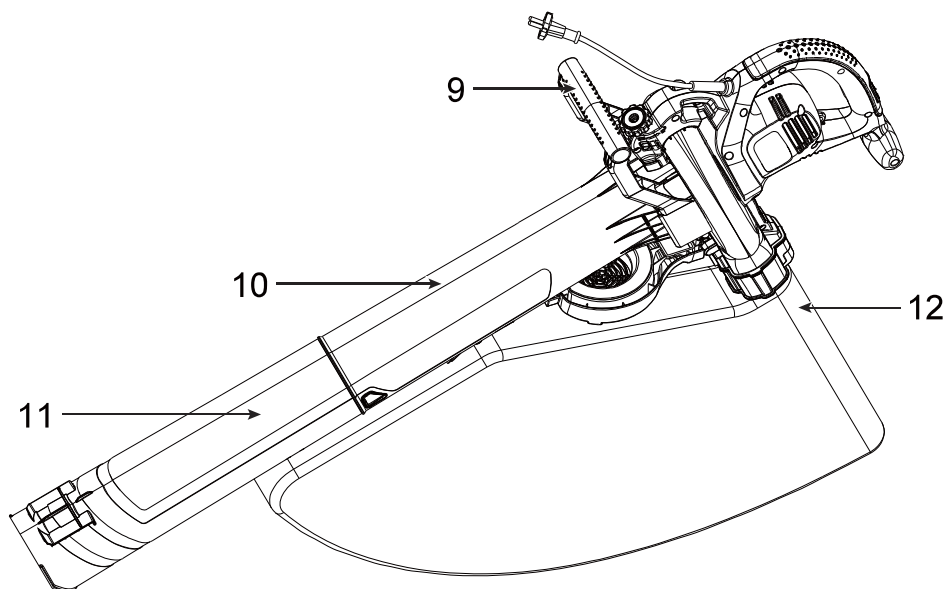
CONSERVEZ CES INSTRUCTIONS

EMPLACEMENT DES COMPOSANTS

DESCRIPTION DE VOTRE Souffleur/aspirateur/broyeur



1	Poignée	5	Bouton de verrouillage.
2	Interrupteur marche/arrêt	6	Couvercle de l'orifice d'aspiration
3	Poignée auxiliaire	7	Tube de soufflage
4	Prise	8	Embout concentrateur de soufflage



9	Poignée auxiliaire	11	Tube arrière d'aspiration/de broyage
10	Tube avant d'aspiration/de broyage	12	Sac de collecte

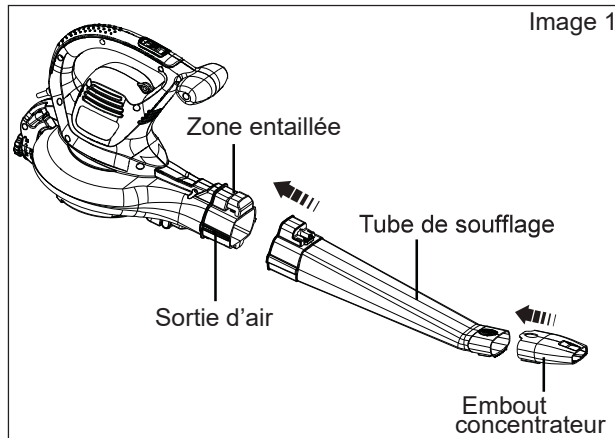
ASSEMBLAGE

AVERTISSEMENT:

Avant l'assemblage ou l'utilisation de ce produit, lisez au complet la section «INFORMATIONS IMPORTANTES DE SÉCURITÉ» qui se trouve au début de ce mode d'emploi, y compris tout le texte qui se trouve sous les entêtes.

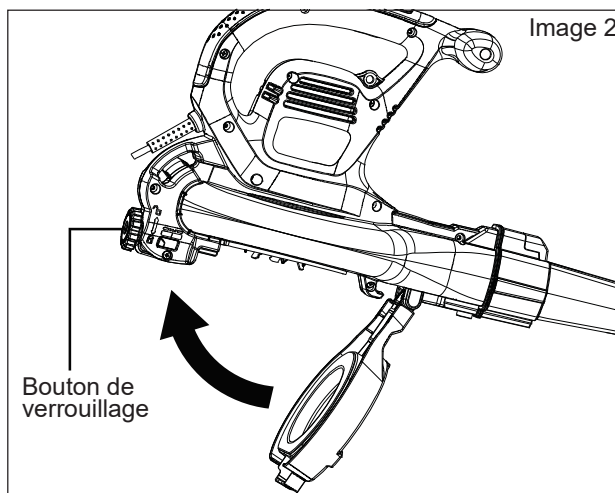
ASSEMBLAGE DU SOUFFLEUR

1. Faites glisser le tube de soufflage vers l'avant jusqu'à ce que la zone entaillée du boîtier du souffleur s'insère dans la fente du tube de soufflage.
2. Insérez l'embout concentrateur de soufflage sur l'extrémité du tube de soufflage jusqu'à ce qu'il demeure en place (image 1).

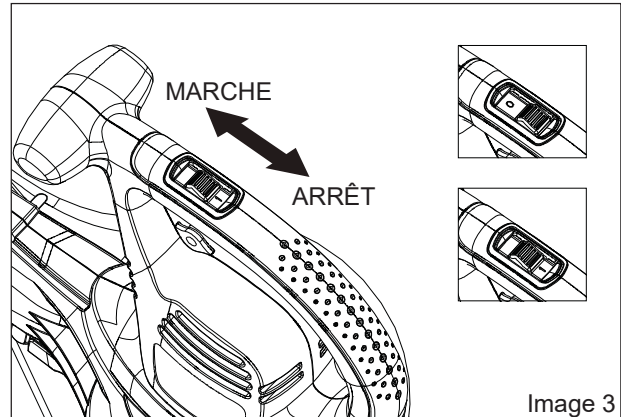


REMARQUE : L'embout concentrateur est utilisé pour augmenter le débit d'air dans les espaces exigus (par exemple autour des parterres, sous les terrasses, etc.).

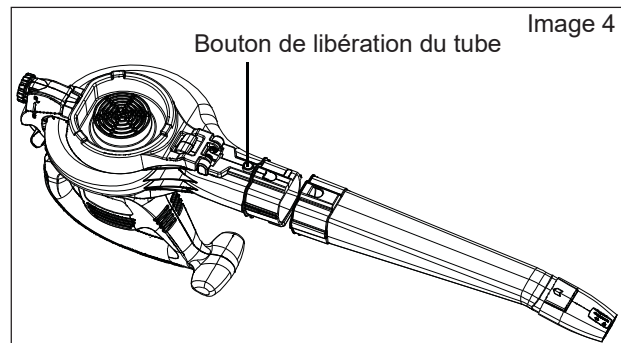
3. Avant d'utiliser le mode souffleur, tournez le bouton de verrouillage de sorte que le couvercle demeure en place (l'indicateur s'allumera sur la position complètement à droite, image 2).



4. Pour démonter le tube de soufflage, mettez l'interrupteur marche/arrêt en position «OFF» (O) et débranchez l'outil de l'alimentation électrique (image 3).

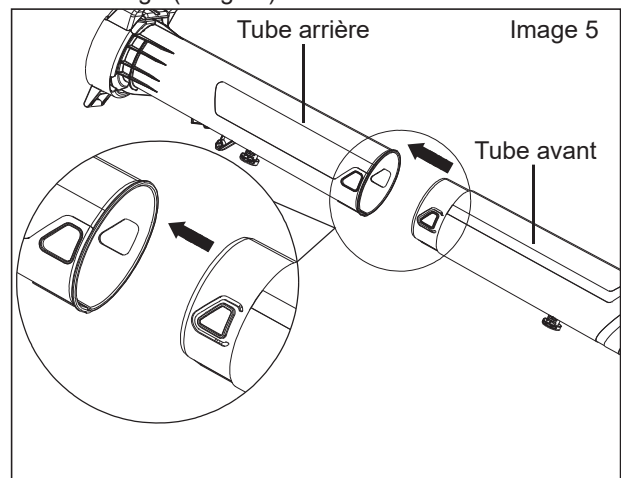


5. Appuyez sur le bouton de libération du tube et retirez le tube du souffleur (image 4).

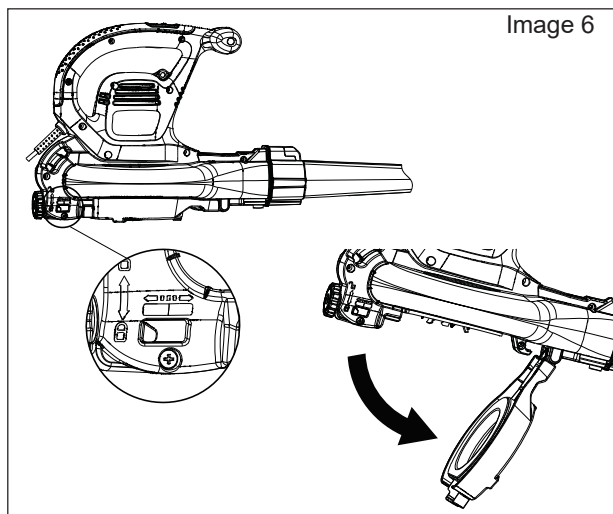


ASSEMBLAGE DE L'ASPIRATEUR/BROYEUR

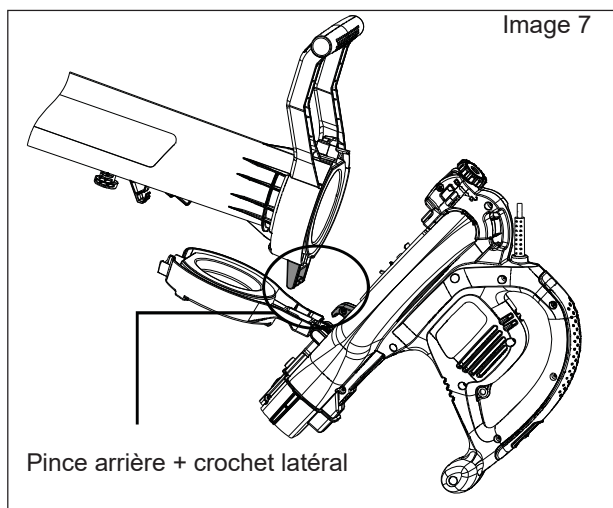
1. Faites glisser les tubes avant et arrière d'aspiration et de broyage jusqu'à l'activation du bouton de verrouillage (image 5).



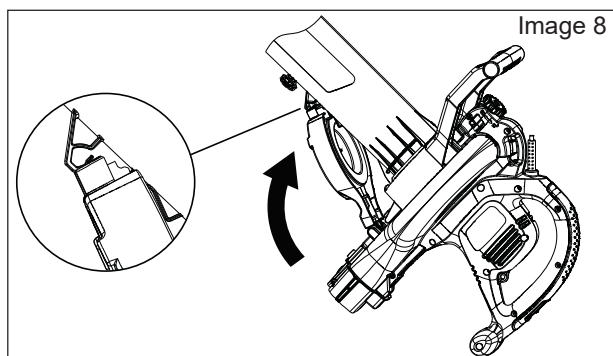
2. Tournez le bouton de verrouillage pour débloquer le couvercle (le voyant est sur la position la plus gauche, image 6).



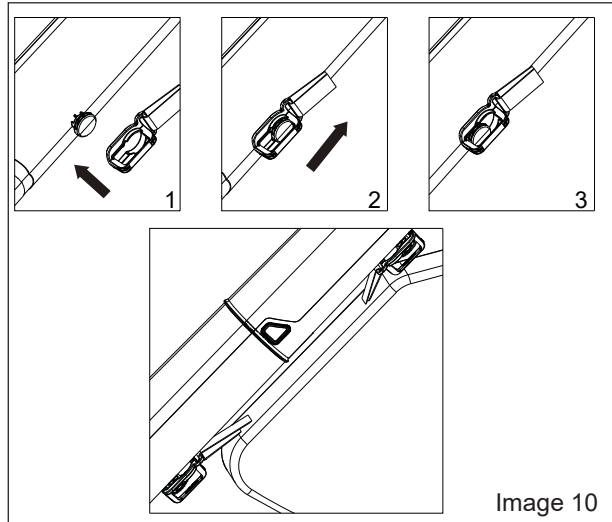
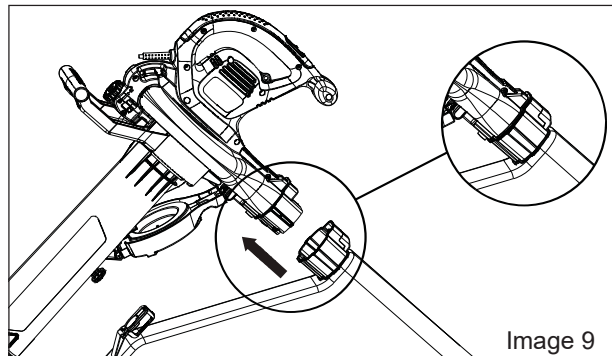
3. Une fois le tube de soufflage enlevé, insérez le côté «accroché» du tube de broyage dans la pince arrière de l'appareil. Tournez le bouton de verrouillage pour refermer le tube avant (le voyant est alors complètement à droite, image 7).



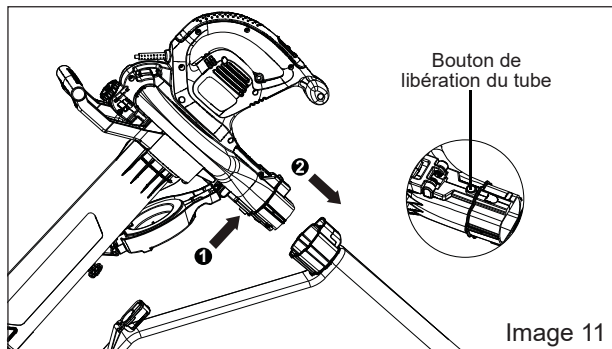
4. Vérifiez que le couvercle s'accroche au crochet du tube arrière (image 8).



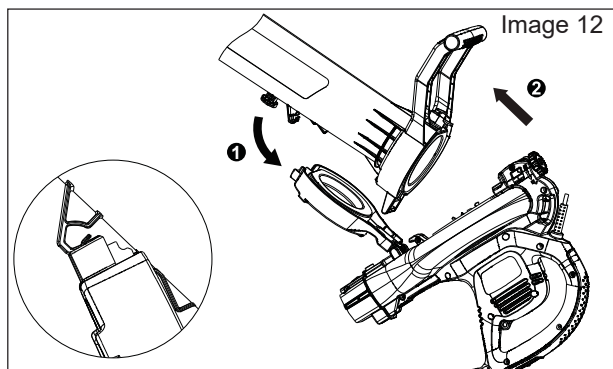
5. Insérez l'adaptateur du sac de collecte dans la sortie d'air du souffleur jusqu'à ce que le sac soit solidement fixé (image 9), puis accrochez le sac sur les deux côtés du tube au moyen du support à courroie. (image 10).



1. Pour retirer le sac de collecte, libérez le sac du support de la courroie sur les deux côtés du tube, puis appuyez sur le bouton de déverrouillage du tube pour retirer le sac (image 11).

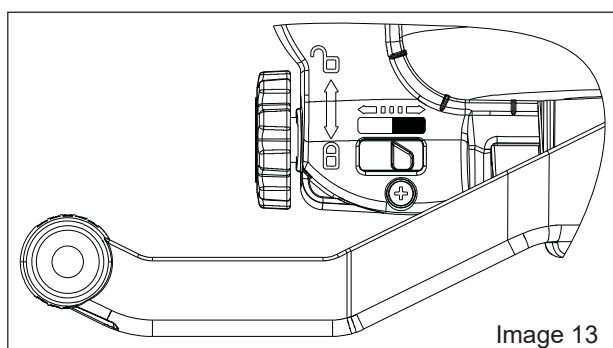


2. Pour démonter le tube d'aspiration/de broyage relâchez le couvercle accroché au crochet du tube, tournez le bouton de verrouillage en position de déverrouillage, puis retirez le tube de son boîtier (image 12).



REMARQUE : Il peut être nécessaire de retirer le tube de soufflage ou les tubes d'aspiration et de broyage pour débloquer le tube ou la turbine bloquée.

8. Veillez à débrancher l'appareil de la prise électrique avant de tenter d'en débloquer une section. Le voyant du bouton de verrouillage doit premièrement être dans la zone noire pour que l'appareil puisse être mis en marche (image 13).



AVERTISSEMENT:

Avant l'assemblage ou l'utilisation de ce produit, lisez au complet la section «INFORMATIONS IMPORTANTES DE SÉCURITÉ» qui se trouve au début de ce mode d'emploi, y compris tout le texte qui se trouve sous les entêtes.

BRANCHER À UNE SOURCE D'ALIMENTATION

1. Fixez la rallonge électrique sur le bloc moteur avec le porte-câble situé à l'arrière du souffleur. Fixer ainsi la rallonge électrique permet d'éviter que le câble d'alimentation de l'appareil ne se détache accidentellement pendant l'utilisation (image 14).

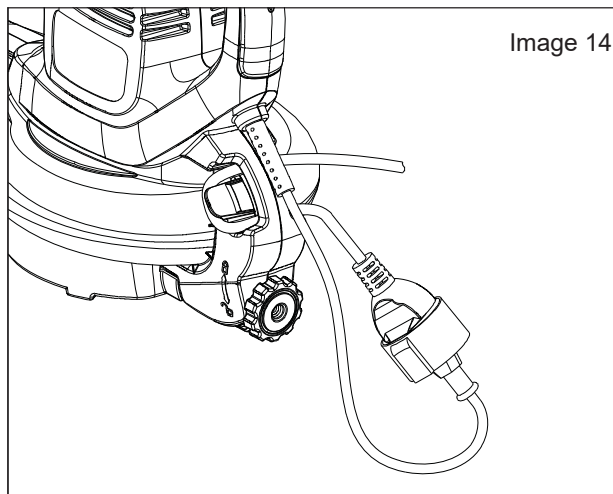


Image 14

2. Branchez l'extrémité femelle du câble d'alimentation dans la prise au dos de l'appareil.

DÉMARRAGE ET ARRÊT

1. Pour démarrer l'aspirateur/souffleur/broyeur électrique, faites glisser l'interrupteur marche/arrêt en position (1); cet appareil est équipé de réglages de vitesse (1) (image 15).
2. Pour arrêter l'appareil, faites glisser l'interrupteur marche/arrêt en position (0) (image. 15).

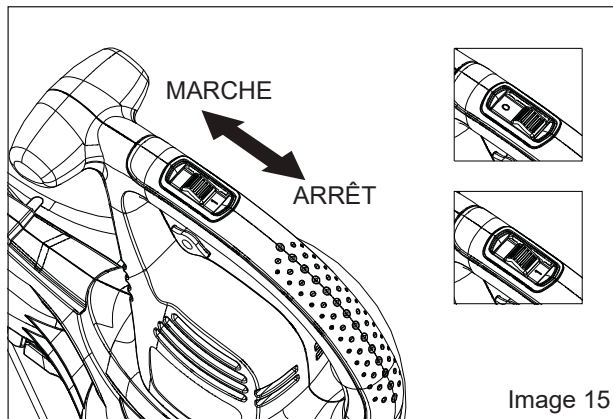


Image 15

CONSEILS D'UTILISATION

AVERTISSEMENT:

Utilisez le souffleur/aspirateur/broyeur uniquement à la lumière du jour ou sous une lumière artificielle suffisante.

- Lorsque vous utilisez l'aspirateur-souffleur, plantez vos pieds fermement sur le sol et placez une main sur la poignée de l'appareil et l'autre main sur la poignée auxiliaire.
- Portez des équipements de protection individuelle pendant votre session de travail. Cela comprend des chaussures solides, des lunettes de sécurité ou des lunettes de protection, des protections auditives, des pantalons longs et un chandail à manche longue.
- Avant d'utiliser l'appareil comme broyeur, vérifiez que le sac est correctement installé et refermé.
- Veillez à ce que l'embout du tube du souffleur ne soit pas dirigé vers des personnes ou des débris éparpillés avant de mettre l'appareil en marche.
- Vérifiez que l'appareil est en bon état de fonctionnement. Vérifiez que tous les tubes et toutes les attaches sont en place et sécurisés.
- Veillez à ce que le couvercle de l'orifice de l'aspirateur/broyeur est complètement fermé et verrouillé.
- Maintenez fermement les poignées avant et arrière.
- Pour réduire le risque de perte d'acuité auditive associée aux niveaux sonores, le port d'une protection auditive est nécessaire.
- Utilisez la sangle d'épaule lorsque vous utilisez l'appareil en mode broyeur.
- N'utilisez l'équipement électrique qu'à des heures raisonnables – pas trop tôt le matin ou tard le soir, car cela peut déranger vos voisins. Conformez-vous aux normes horaires locales. Les heures habituellement recommandées sont entre 9h00 et 17h00, du lundi au samedi.
- Pour réduire le niveau sonore, limitez le nombre d'appareils électriques utilisés simultanément et utilisez les souffleurs à la vitesse la plus basse possible pour effectuer le travail.
- Utilisez un râtelier et un balai pour déplacer les débris avant de les souffler.
- Dans les environnements poussiéreux, humidifiez légèrement les surfaces.
- Économisez de l'eau en utilisant des souffleurs électriques au lieu de boyaux pour le gazon et le jardin, et pour des espaces tels que les caniveaux, paravents, grilles, patios, porches et jardins.
- Soufflez les débris dans un endroit sûr et dans un espace ouvert éloigné des enfants, des animaux de compagnie, des fenêtres ouvertes et des voitures récemment nettoyées.
- Après avoir utilisé les souffleurs et les autres équipements d'entretien du gazon, nettoyez-les. Jetez les débris d'une manière appropriée.

AVERTISSEMENT:

Pour éviter des blessures corporelles graves, portez des protections auditives, des lunettes de protection ou des lunettes de sécurité en permanence pendant l'utilisation de cet appareil. Portez un masque facial ou un masque à poussière dans les endroits poussiéreux.

AVERTISSEMENT:

Pour éviter des blessures corporelles graves ou la détérioration de l'appareil, veillez à ce que le tube de soufflage, ou les tubes de broyage, et le sac soient assemblés avant d'utiliser l'appareil.

LES TROUS D'AÉRATION

Ne recouvrez jamais les trous d'aération. Veillez à ce qu'ils ne soient jamais obstrués ni qu'ils ne contiennent jamais de débris. Pour assurer le bon refroidissement du moteur, les trous doivent toujours rester dégagés.



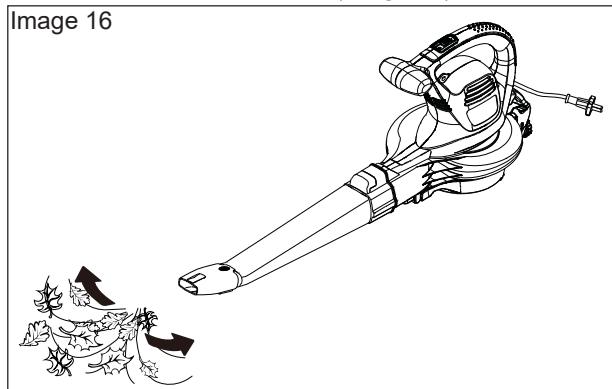
AVERTISSEMENT:

Pour éviter des blessures corporelles graves, ne portez pas de vêtements amples ou des articles tels que des écharpes, des cravates, des fils, des chaînes, etc., car ils risquent d'être happés par les trous d'aération. Pour vous assurer que vos cheveux longs ne soient pas aspirés par les trous d'aération, attachez vos cheveux longs.

MODE SOUFFLEUR

Tenez fermement le souffleur avec une main sur la poignée principale et l'autre main sur la poignée auxiliaire. Effectuez un mouvement de balayage d'un côté à l'autre avec l'embout à quelques centimètres au-dessus du sol ou du plancher (image 16).

Image 16

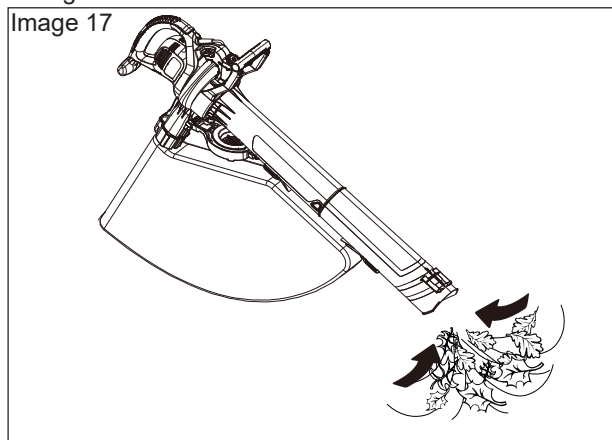


Déplacez lentement l'appareil devant vous, en maintenant le tas de débris accumulés devant vous. La plupart des travaux de soufflage à sec sont mieux adaptés à une vitesse lente plutôt que rapide. Le soufflage rapide est préférable pour déplacer des objets lourds tels que les gros débris ou le gravier.

MODE ASPIRATEUR/BROYEUR

- Une fois que vous avez soufflé les débris/feuilles en tas, vous pouvez changer en mode aspirateur pour récupérer les débris.
- Avec une prise ferme sur l'aspirateur, effectuez une action de balayage pour récupérer les débris plus légers. Les débris s'accumuleront dans le sac. Les objets tels que les petites feuilles et les brindilles seront broyés en passant à travers du boîtier du ventilateur. Pour une meilleure performance et une durée de vie plus longue du sac, videz-le fréquemment.

Image 17



- Plus le sac se remplit, plus la puissance d'aspiration diminue. Si cela se produit, tournez l'interrupteur marche/arrêt à «OFF» (0) et débranchez l'appareil de la prise électrique. Retirez le sac et videz les débris.
- Pour retirer le sac, appuyez sur le bouton de déverrouillage du tube (image 11). Pour le vider, tenez la poignée en plastique et saisissez la poignée en nylon en dessous du sac. Tournez le sac à l'envers et secouez les débris et les feuilles.



AVERTISSEMENT:

Ne retirez jamais le sac de collecte sans avoir préalablement mis l'interrupteur marche/arrêt en position «OFF» (0) et débranché l'appareil de la source d'alimentation.



AVERTISSEMENT:

N'utilisez pas le mode aspirateur/broyeur sans que les tubes d'aspiration et le sac à de collecte ne soient en place.

NETTOYER UN TUBE ou UNE TURBINE BLOQUÉS



AVERTISSEMENT:

Pour éviter des blessures corporelles graves, veillez à ce que l'appareil soit éteint et débranché avant d'enlever la turbine.



AVERTISSEMENT:

Pour éviter des blessures corporelles graves, portez toujours des gants pour vous protéger des lames de la turbine ou d'autres objets coupants.

Pendant le processus d'aspiration, certains objets, par exemple une corde ou des bâtons de grand diamètre, pourraient obstruer le ventilateur et bloquer le moteur. Un dispositif de protection thermique, intégré à l'aspirateur-souffleur, coupe l'alimentation électrique du moteur afin d'éviter les dommages dus à une surchauffe.

En cas d'obstruction et de coupe d'alimentation:

1. Faites glisser l'interrupteur marche/arrêt en position (0) jusqu'à ce que l'appareil se soit complètement arrêté.
2. Débranchez l'appareil.
3. Retirez le tube de soufflage ou les tubes d'aspiration/ de broyage, et le sac.
4. Utilisant des gants protecteurs, retirez avec précaution le matériau obstruant le tube ou la turbine. Inspectez les lames pour garantir qu'aucun dommage n'a été causé. Faites tourner les lames de la turbine à la main afin de déloger la source du blocage.
5. Réinstallez le tube de soufflage ou d'aspiration/ broyage, et le sac.
6. Attendez 3 minutes pour le refroidissement du moteur.
7. Branchez l'appareil dans une prise électrique et tournez l'interrupteur marche/arrêt en position «ON» (1). Le souffleur/aspirateur reprendra son fonctionnement normal.



AVERTISSEMENT:

Avant l'assemblage ou l'utilisation de ce produit, lisez au complet la section «INFORMATIONS IMPORTANTES DE SÉCURITÉ» qui se trouve au début de ce mode d'emploi, y compris tout le texte qui se trouve sous les entêtes.

L'entretien régulier, les remplacements et les réparations des systèmes et dispositifs de contrôle des émissions peuvent être effectués par un service de réparation qualifié ou une personne avec des pièces d'origine ou équivalentes. Le travail sous garantie et les réparations de rappel doivent être effectuées par un centre de réparation agréé. Veuillez communiquer avec le service à la clientèle pour assistance.



AVERTISSEMENT:

Débranchez la rallonge électrique avant d'effectuer l'entretien.

Si le câble d'alimentation est branché dans l'appareil, une personne pourrait accidentellement allumer l'appareil quand vous effectuez une opération d'entretien sur l'appareil, ce qui peut provoquer des blessures corporelles graves.

NETTOYAGE



AVERTISSEMENT:

Pour éviter de graves blessures, arrêtez toujours le moteur et laissez-le refroidir avant de nettoyer ou de procéder à un entretien sur l'appareil.

Utilisez une petite brosse pour nettoyer l'extérieur de l'appareil. N'utilisez pas de détergents puissants, de produits nettoyants contenant des huiles aromatiques domestiques (par exemple de pin et de citron) ou de solvants agressifs, par exemple l'essence, car ces substances peuvent endommager le boîtier en plastique ou les poignées. Essuyez toute humidité avec un chiffon doux.

1. Videz le sac après chaque utilisation pour éviter toute détérioration et restriction du flux d'air, qui réduisent les performances du broyeur.
2. Portez des lunettes de protection. Nettoyez le sac si nécessaire. Retournez le sac à l'envers après l'avoir vidé puis secouez vigoureusement la poussière et les débris.
3. Lavez le sac une fois par an ou plus souvent si nécessaire. Suivez les étapes ci-dessous:
 - i. Retirez le sac.
 - ii. Retournez le sac à l'envers.
 - iii. Suspendez-le.
 - iv. Arrosez à l'aide d'un boyau.
 - v. Suspendez-le pour le faire sécher.
 - vi. Retournez le sac et réinsérez-le.

ENTREPOSAGE

Inspectez soigneusement la rallonge électrique pour détecter des signes d'usures ou de détérioration.

Si la rallonge est endommagée, remplacez-la immédiatement.

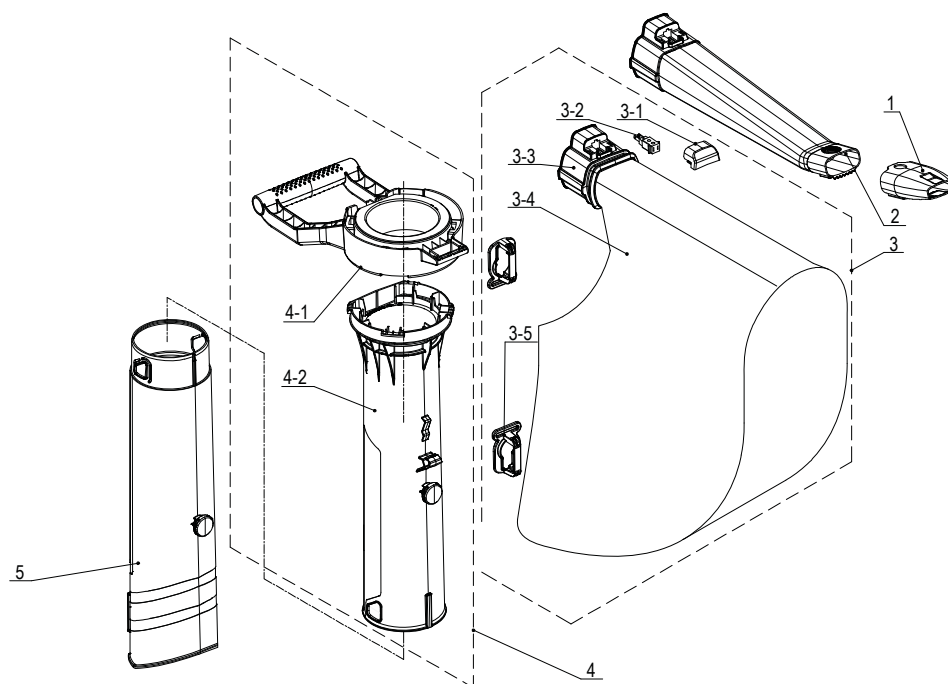
Débranchez le câble d'alimentation de l'aspirateur/souffleur/broyeur électrique avant de le ranger.

Rangez le câble d'alimentation avec l'aspirateur/souffleur/broyeur électrique à l'intérieur et dans un endroit propre, sec et verrouillé, hors de la portée des enfants et des animaux.

REMARQUE: Au besoin, vous pouvez acheter des supports à rallonges électriques dans les magasins.

PIÈCES

VUE AGRANDIE



PIÈCES

N°	No. de pièce	Description	Qté
1	202041000012	Nez plat	1
2	202054000039	Tuyau de soufflage	1
3	199068000012	Assemblage du sac de collecte	1
3-1	202030001729	Enveloppe	1
3-2	202999001785	Bloc terminal mâle en U	1
3-3	202154000009	Tube plié	1
3-4	299010000031	Sac de collecte	1
4	199049000033	Composants du cylindre	1
4-1	202024002548	Poignée	1
4-2	202155000033	Tuyau de soufflage	1
5	202155000034	Tube de soufflage	1

Pour obtenir des pièces de rechange, envoyez un courriel à:



AVERTISSEMENT:

Débranchez toujours le câble d'alimentation avant d'effectuer un réglage, un entretien ou une réparation de votre aspirateur-souffleur électrique.

SYMPTÔME	CAUSE POSSIBLE	ACTIONS RECOMMANDÉES
L'appareil ne souffle pas ou ne broie pas	1. Le sac est plein.	1. Videz le sac.
	2. Un tube est bloqué.	2. Déloger le blocage.
	3. La turbine est bloquée.	3. Déloger le blocage.
	4. Le sac est sale.	4. Nettoyez le sac.
	5. Le sac est déchiré.	5. Remplacez le sac.
	6. Le sac est ouvert.	6. Fermez le sac.
	7. L'appareil est débranché.	7. Branchez l'appareil dans une prise électrique ou une rallonge électrique.
L'appareil ne souffle pas.	1. L'appareil est débranché.	1. Vérifiez que le câble d'alimentation est branché dans une prise électrique.
	2. L'interrupteur marche-arrêt/vitesse est en position (0) «OFF».	2. Faites glisser l'interrupteur marche/arrêt en position «ON» (1)
	3. L'interrupteur marche/arrêt est défectueux.	3. Communiquez avec le service clientèle Senix au 1-800-261-3981.
	4. Les tubes d'aspiration ne sont pas correctement installés.	4. Vérifiez les tubes d'aspiration et assurez-vous qu'ils sont correctement installés pour permettre à l'interrupteur marche/arrêt d'être activés.
	5. Le couvercle du portail d'aspiration n'est pas fermé.	5. Veillez à ce que le couvercle du portail d'aspiration soit complètement fermé et verrouillé.
	6. Un fusible s'est peut-être déclenché dans votre logement.	6. Vérifiez le panneau mural du disjoncteur et réglez-le si nécessaire.



REMARQUE:

En tant que propriétaire de l'appareil, vous êtes responsable des entretiens listés dans la section sur l'entretien. Il est recommandé de conserver tous les reçus couvrant l'entretien de votre appareil. Négliger ou ne pas effectuer l'entretien requis peut augmenter les émissions, diminuer l'efficacité énergétique, dégrader les performances, endommager irréversiblement le moteur ou annuler votre garantie.

GARANTIE

GARANTIE LIMITÉE DE DEUX ANS

Ce produit Senix est garanti PENDANT DEUX ANS à compter de la date d'achat d'origine, contre les défauts de matériaux ou de fabrication sur les outils électriques et les chargeurs. Le produit défectueux sera réparé gratuitement.*

Ce produit Senix est garanti PENDANT DEUX ANS à compter de la date d'achat d'origine, contre les défauts de matériaux ou de fabrication de la batterie. Le produit défectueux sera réparé gratuitement.*

Cette garantie ne couvre pas l'usure normale des pièces et des composants tels que la chaîne de coupe, la ligne ou les lames, et cette garantie ne couvre pas les frais de transport du produit pour la garantie ou l'entretien.

La garantie est sujette aux deux conditions suivantes:

- La garantie s'applique à l'acheteur au détail d'origine et n'est pas transférable*

Enregistrement de la garantie sur www.senixtools.com

- L'appareil n'a pas été utilisé incorrectement, abusé, négligé, altéré, modifié ou réparé par quiconque d'autre qu'un centre d'entretien autorisé.
- Seuls les accessoires Senix authentiques ont été utilisés avec ou sur ce produit.
- L'outil a été soumis à une usure normale
- L'outil n'a pas été utilisé à des fins commerciales ou professionnelles
- L'outil n'a pas été utilisé à des fins de location
- Cette garantie ne couvre que les défauts résultant d'une utilisation normale et ne couvre pas les mauvais fonctionnements, défaillances ou défauts résultant d'une utilisation incorrecte, d'un abus (surcharge du produit, exposition à l'eau ou à la pluie), d'une négligence ou d'un défaut d'installation, d'entretien ou de stockage.

Pour localiser votre fournisseur de services Senix le plus près de chez vous, appelez gratuitement le 800-261-3981 ou envoyez-nous un courriel à service@senixtools.com.

Limitations supplémentaires

Toute garantie implicite accordée en vertu de la loi de l'État, y compris les garanties de qualité marchande ou d'adéquation à un usage particulier, est limitée à trois ans à compter de la date d'achat des outils électriques et à sept ans pour les batteries. Le fabricant n'est pas responsable des dommages directs, indirects, accessoires ou consécutifs. Certains états et provinces n'autorisent pas les limitations sur la durée d'une garantie implicite et/ou n'autorisent pas l'exclusion ou la limitation des dommages accessoires, et dans ce cas, les restrictions décrites précédemment pourraient ne pas s'appliquer. Cette garantie vous donne des droits légaux spécifiques, et vous pouvez également avoir d'autres droits qui varient d'un état à l'autre ou d'une province à l'autre.

YAT USA décline toute responsabilité en matière de responsabilité civile résultant d'une utilisation abusive ou non conforme à une utilisation et une maintenance correctes de la machine telles que décrites dans le mode d'emploi.

YAT USA n'est pas responsable des dommages directs, indirects, accessoires ou consécutifs.

Après l'achat, le fabricant recommande un entretien approprié de la machine et de lire le mode d'emploi avant d'utiliser la machine.

* Un reçu d'achat original peut être exigé comme preuve d'achat.

Pour le service à la clientèle, communiquez avec nous gratuitement au 1-800-261-3981 ou sur www.senixtools.com.
YAT USA, Inc. 9048 E Bahia Dr, suite 105, Scottsdale, AZ 85260.

