

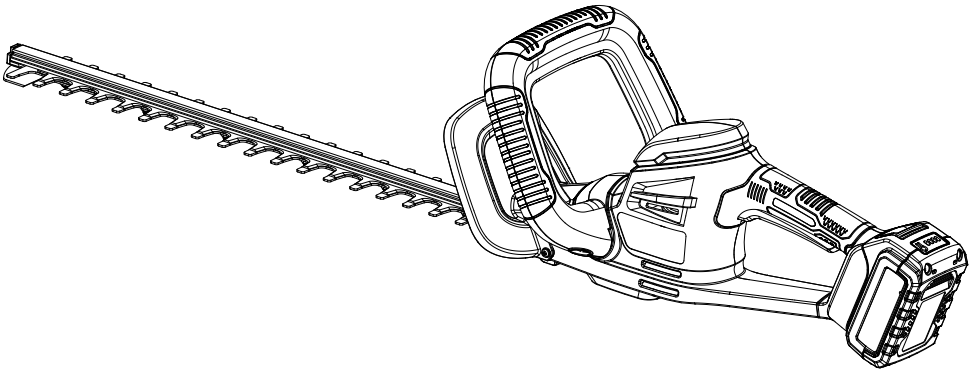


20V MAX LITHIUM-ION CORDLESS HEDGE TRIMMER

Operator's manual

Model: HTX2-M

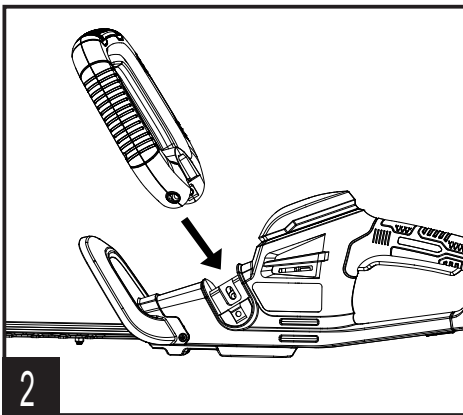
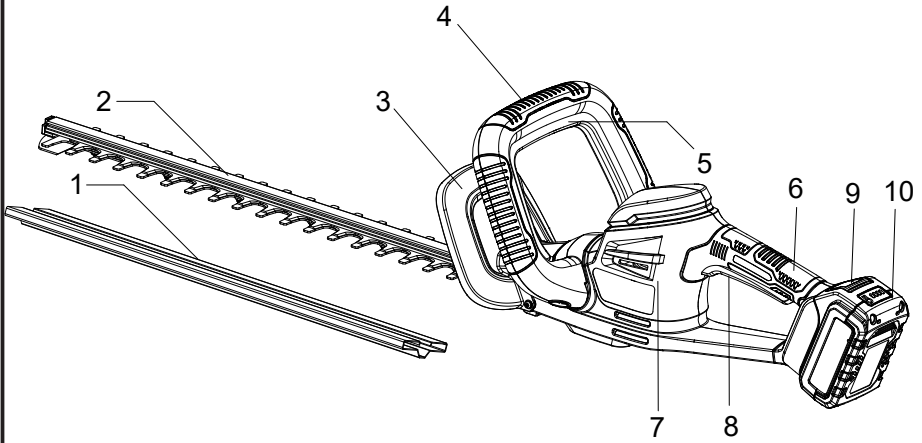
HTX2-M-0



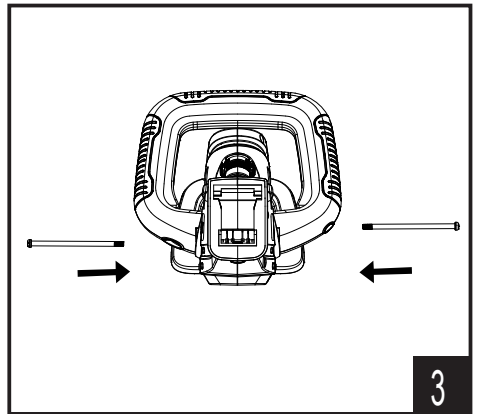
For customer support, please call 1-800-261-3981 or send email to:
Service@senixtools.com
SAVE THIS MANUAL FOR FUTURE REFERENCE.

ORIGINAL INSTRUCTIONS

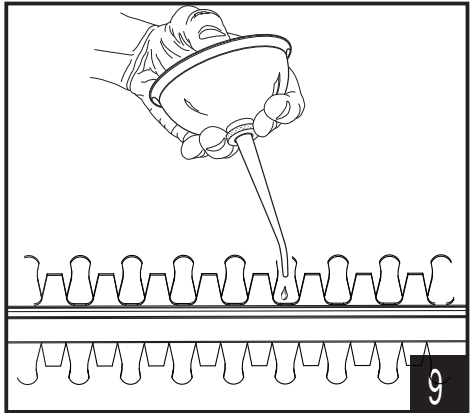
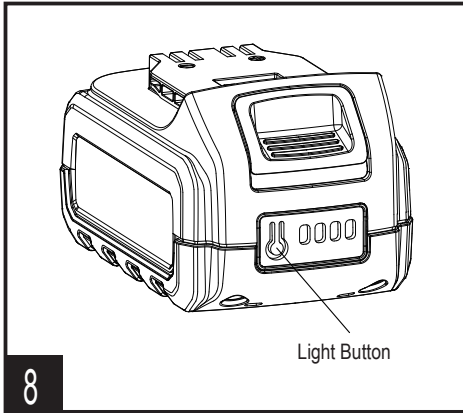
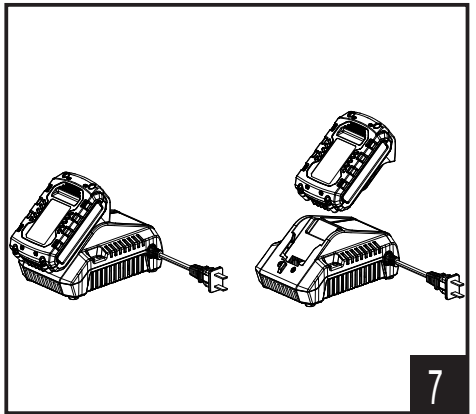
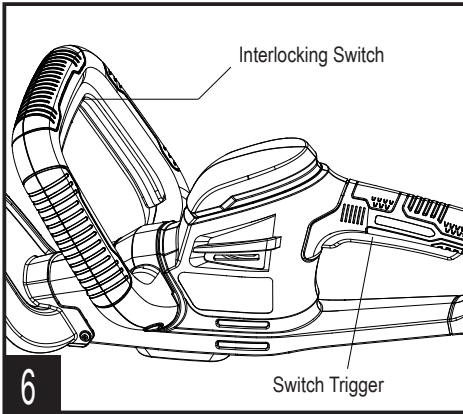
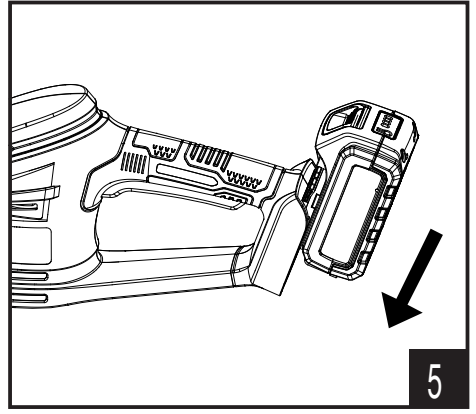
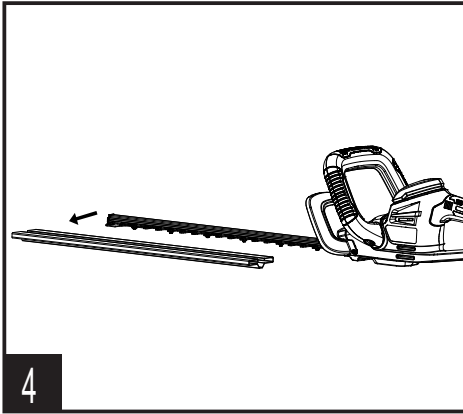
1



2



3



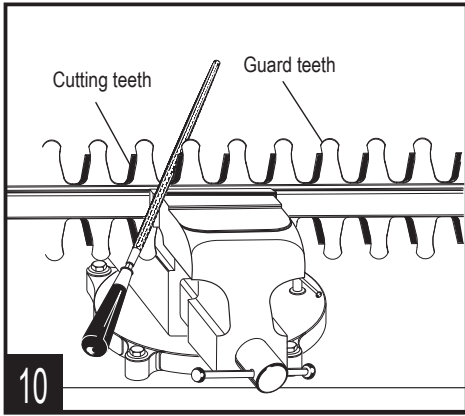


TABLE OF CONTENTS

SAFETY & INTERNATIONAL SYMBOLS	5
SAFETY INSTRUCTIONS.....	6
KNOW YOUR UNIT	15
SPECIFICATIONS*	15
ASSEMBLY	16
OPERATION.....	16
MAINTENANCE	18
TROUBLESHOOTING	20
WARRANTY	21

SAFETY & INTERNATIONAL SYMBOLS

Explanation of Safety & international symbols describes safety and international symbols and pictographs that may appear on this product. Read the operator's manual for complete safety, assembly, operating and maintenance and repair information.



Caution / Warning.



To reduce the risk of injury, user must read instruction manual.



Wear eye protection.



Wear head protection.



DANGER – Keep hands away from blade.



Do not use in rain or wet conditions.



Wear safety footwear.



Wear protective gloves.



Do not dispose of battery packs in rivers or immerse in water.



Do not dispose of battery packs in fire. They will explode and cause injury.



Use and store the battery within a temperature below 122°F(50°C).



Do not disassemble, crush, heat above 212°F(100°C); Never expose the battery to microwaves or high pressures.



Keep bystanders a safe distance away from the work area.



Indoor use only. Only use battery charger indoors.

SAFETY INSTRUCTIONS

All Operators Must Read These Instructions Before Use.

Always follow these safety guidelines. Failure to do so may result in serious bodily injury or death.

DANGER!

This indicates a hazardous situation, which, if not followed, will result in serious injury or death.

WARNING!

This indicates a hazardous situation, which, if not followed, could result in serious injury or death.

CAUTION!

This indicates a hazardous situation, which, if not followed, could result in minor or moderate injury.

GENERAL POWER TOOL SAFETY WARNINGS

WARNING!

Read all safety warnings and all instructions. Failure to follow the warnings and instructions may result in electric shock, fire and/or serious injury.

Save all warnings and instructions for future reference.

The term "power tool" in the warnings refers to your

mainsoperated (corded) power tool or battery-operated (cordless) power tool.

1) Work Area Safety

- a. Keep work area clean and well lit – Cluttered or dark areas invite accidents.
- b. Do not operate power tools in explosive atmospheres, such as in the presence of flammable liquids, gases or dust – Power tools create sparks which may ignite the dust or fumes.
- c. Keep children and bystanders away while operating a power tool – Distractions can cause you to lose control.

2) Electrical Safety

- a. Power tool plugs must match the outlet. Never modify the plug in any way. Do not use any adapter plugs with earthed (grounded) power tools. Unmodified plugs and matching outlets will reduce risk of electric shock.
- b. Avoid body contact with earthed or grounded surfaces, such as pipes, radiators, ranges and refrigerators – There is an increased risk of electric shock if your body is earthed or grounded.

- c. Do not expose power tools to rain or wet conditions – Water entering a power tool will increase the risk of electric shock.
 - d. Do not abuse the cord. Never use the cord for carrying, pulling or unplugging the power tool. Keep cord away from heat, oil, sharp edges or moving parts. Damaged or entangled cords increase the risk of electric shock.
 - e. When operating a power tool outdoors, use an extension cord suitable for outdoor use. Use of a cord suitable for outdoor use reduces the risk of electric shock.
- reduce personal injuries.
 - c. Avoid accidental starting. Ensure the switch is in the off-position before plugging in – Carrying power tools with your finger on the switch or plugging in power tools that have the switch on invites accidents.
 - d. Remove any adjusting key or wrench before turning the power tool on – A wrench or a key left attached to a rotating part of the power tool may result in personal injury.
 - e. Do not overreach. Keep proper footing and balance at all times – This enables better control of the power tool in unexpected situations.

3) Personal Safety

- a. Stay alert, watch what you are doing and use common sense when operating a power tool. Do not use a power tool while you are tired or under the influence of drugs, alcohol or medication – A moment of inattention while operating power tools may result in serious personal injury.
 - b. Use safety equipment. Always wear eye protection – Safety equipment such as dust mask, non-skid safety shoes, hard hat, or hearing protection used for appropriate conditions will
- f. Dress properly. Do not wear loose clothing or jewelry. Keep your hair, clothing and gloves away from moving parts – Loose clothes, jewelry or long hair can be caught in moving parts.
 - g. If devices are provided for the connection of dust extraction and collection facilities, ensure these are connected and properly used – Use of dust collection can reduce dust-related hazards.

4) Power Tool Use + Care

- a. Do not force the power tool. Use

- the correct power tool for your application – The correct power tool will do the job better and safer at the rate for which it was designed.
- b. Do not use the power tool if the switch does not turn it on and off – Any power tool that cannot be controlled with the switch is dangerous and must be repaired.
 - c. Disconnect the battery pack from the power tool before making any adjustments, changing accessories, or storing power tools – Such preventive safety measures reduce the risk of starting the power tool accidentally.
 - d. Store idle power tools out of the reach of children and do not allow persons unfamiliar with the power tool or these instructions to operate the power tool – Power tools are dangerous in the hands of untrained users.
 - e. Maintain power tools. Check for misalignment or binding of moving parts, breakage of parts and any other condition that may affect the power tool's operation. If damaged, have the power tool repaired before use – Many accidents are caused by poorly maintained power tools.
 - f. Keep cutting tools sharp and clean – Properly maintained cutting tools with sharp cutting edges are less likely to bind and are easier to control.
 - g. Use the power tool, accessories and tool bits etc., in accordance with these instructions and in the manner intended for the particular type of power tool, taking into account the working conditions and the work to be performed – Use of the power tool for operations different from those intended could result in a hazardous situation.
- ### 5) Battery tool use and care
- a. Recharge only with the charger specified by the manufacturer. A charger that is suitable for one type of battery pack may create a risk of fire when used with another battery pack.
 - b. Use power tools only with specifically designated battery packs. Use of any other battery packs may create a risk of injury and fire.
 - c. When battery pack is not in use, keep it away from other metal objects, like paper clips, coins, keys, nails, screws or other small metal objects, that can make a

connection from one terminal to another. Shorting the battery terminals together may cause burns or a fire.

- d. Under abusive conditions, liquid may be ejected from the battery; avoid contact. If contact accidentally occurs, flush with water. If liquid contacts eyes, additionally seek medical help. Liquid ejected from the battery may cause irritation or burns.

6) Service

- a. Have your power tool serviced by a qualified repair person using only identical replacement parts. This will ensure that the safety of the power tool is maintained.

WARNINGS FOR ALL BATTERY-OPERATED APPLIANCES

- a. Prevent unintentional starting. Ensure the power switch is in the off-position before connecting to battery pack, picking up or carrying the appliance. Carrying the appliance with your finger on the power switch or energizing the appliance that has the power switch on invites accidents.
- b. Make sure the power switch is off and the battery pack is removed before clearing jammed material,

making adjustments, changing accessories, storing or servicing the appliance. Unexpected actuation of the appliance while clearing jammed material or servicing may result in serious personal injury.

- c. Recharge only with the charger specified by the manufacturer. A charger that is suitable for one type of battery pack may create a risk of fire when used with another battery pack.
- d. Use appliances only with specifically designated battery packs. Use of any other battery packs may create a risk of injury and fire.
- e. When battery pack is not in use, keep it away from other metal objects, like paper clips, coins, keys, nails, screws or other small metal objects, that can make a connection from one terminal to another. Shorting the battery terminals together may cause burns or a fire.
- f. Under abusive conditions, liquid may be ejected from the battery; avoid contact. If contact accidentally occurs, flush with water. If liquid contacts eyes, additionally seek medical help. Liquid ejected from the battery

may cause irritation or burns. (This advice is considered correct for conventional NiMh, NiCd, lead acid and lithium-ion cell types. If this advice is incorrect for a cell design that differs from these, then the correct advice may be substituted.)

- g. Do not use a battery pack or appliance that is damaged or modified. Damaged or modified batteries may exhibit unpredictable behavior resulting in fire, explosion or risk of injury.
- h. Do not expose a battery pack or appliance to fire or excessive temperature. Exposure to fire or temperature above 130°C may cause explosion. The temperature of 130°C can be replaced by the temperature of 265°F.
- i. Follow all charging instructions and do not charge the battery pack or appliance outside of the temperature range specified in the instructions. Charging improperly or at temperatures outside of the specified range may damage the battery and increase the risk of fire.
- j. Have servicing performed by a qualified repair person using only

identical replacement parts. This will ensure that the safety of the product is maintained.

- k. Do not modify or attempt to repair the appliance or the battery pack (as applicable) except as indicated in the instructions for use and care.

ADDITIONAL SAFETY RULES FOR HEDGE TRIMMER

- a. Use both hands when operating the hedge trimmer. Using one hand could cause loss of control and result in serious personal injury.
- b. Keep all parts of the body away from the cutter blade. Do not remove cut material or hold material to be cut when blades are moving. Make sure the switch is off when clearing jammed material. A moment of inattention while operating the hedge trimmer may result in serious personal injury.
- c. Carry the hedge trimmer by the handle with the cutter blade stopped. When transporting or storing the hedge trimmer always fit the cutting device cover. Proper handling of the hedge trimmer will reduce possible personal injury from the cutter

- blades.
- d. Hold the power tool by insulated gripping surfaces only, because the cutter blade may contact hidden wiring or its own cord. Cutter blades contacting a ²live² wire may make exposed metal parts of the power tool ²live² and could give the operator an electric shock.
 - e. Keep cable away from cutting area. During operation the cable may be hidden in shrubs and can be accidentally cut by the blade.
 - f. Remove any blade that has been damaged. Always make sure that the blade is installed correctly and securely fastened before each use. Failure to do so can cause serious injury.
 - g. Service on the product must be performed by qualified repair personnel only. Service or maintenance performed by unqualified personnel could result in injury to the user or damage to the product.
 - h. Do not overreach and to keep the balance at all times. Always be sure of the footing on slopes. Walk when operating the power tool, never run.
 - i. Do not touch moving hazardous parts before the battery pack is removed and the moving hazardous parts have come to a complete stop.
 - j. Do not using the machine in bad weather conditions especially when there is a risk of lightning.
 - k. Inspect the area to be cut and remove any foreign objects that will influence your cutting. If the foreign objects can not be removed, e.g. wire fences, please mark and remember it to avoid toughing them during cutting.
 - l. Ensure that the hedge trimmer is correctly located in a designated working position before starting the motor.
 - m. Always ensure that the air vents are kept clear of debris.
 - n. If the cutting attachment strikes any foreign object or the product starts making any unusual noise or vibration, switch the product off, remove the battery, allow the product to stop and take the following steps:
 - inspect for damage;
 - check for, and tighten, any loose parts;
 - have any damaged parts replaced or repaired with parts having equivalent specifications.

- o. Never allow people unfamiliar with these instructions or children to use the product. Local regulations can restrict the age of the operator.
 - p. Keep in mind that the operator or user is responsible for accidents or hazards occurring to other people or their property.
- Use the battery pack only in conjunction with this product and/or product family. This measure alone protects the battery against dangerous overload.
 - The battery can be damaged by pointed objects such as nails or screwdrivers or by force applied externally. An internal short circuit can occur and the battery can burn, smoke, explode or overheat.

BATTERY PACK SAFETY WARNINGS

- Ensure the switch is in the off position before inserting battery pack. Inserting the battery pack into machines that have the switch on can cause accidents.
 - Use only original battery packs intended specifically for this machine. Use of any other battery packs may create a risk of injury and fire.
 - Do not open the battery. Danger of short-circuiting.
 - Protect the battery against heat (e.g., against continuous intense sunlight and fire) water and moisture. Danger of explosion.
 - In case of damage and improper use of the battery, vapours may be emitted. Ventilate the area and seek medical help in case of complaints. The vapours can irritate the respiratory system.
- Do not short-circuit the battery. There is danger of explosion.
 - Store and use the battery only within a temperature range between $-4^{\circ}\text{F}(-20^{\circ}\text{C})$ to $77^{\circ}\text{F}(25^{\circ}\text{C})$. As an example, do not leave the battery in the car in summer.
 - Occasionally clean the venting slots and contact pins of the battery pack using a soft, clean and dry brush.

BATTERY CHARGER SAFETY WARNINGS

Read all safety warnings and instructions before using the charger. Only for indoor use!

- This appliance is not intended for use by children and persons with physical, sensory or mental limitations or a lack

of experience or knowledge. This appliance can be used by children aged from 8 years and above and persons with reduced physical, sensory or mental capabilities or lack of experience and knowledge if they have been given supervision or instruction concerning use of the appliance in a safe way and understand the hazards involved. Children shall not play with the appliance. Cleaning and user maintenance shall not be made by children without supervision.

- The supply cord cannot be replaced. If the cord is damaged the appliance should be scrapped.
- Only charge the Lithium-Ion battery pack as mentioned in this instruction manual. Do not charge non-rechargeable batteries.
- The battery and charger must be placed in a well ventilated area.
- If the supply cord is damaged, it must be replaced by the manufacturer, its service agent or similarly qualified persons in order to avoid a hazard.
- Do not operate the battery charger on easily inflammable surfaces (e. g., paper, textiles,

etc.) or surroundings. The heating of the battery charger during the charging process can pose a fire hazard.

- Do not cover the ventilation slots of the battery charger. Otherwise, the battery charger can overheat and no longer operate properly.

VIBRATION + NOISE REDUCTION

To reduce the impact of noise and vibration emission, limit the time of operation, use low-vibration and low-noise operating modes as well as wear personal protective equipment. Take the following points into account to minimise the vibration and noise exposure risks.

- Only use the product as intended by its design and these instructions.
- Ensure that the product is in good condition and well maintained.
- Use correct attachments for the product and ensure they are in good condition.
- Keep tight grip on the handles/ grip surface.
- Maintain this product in accordance with these instructions and keep it well lubricated (where appropriate).
- Plan your work schedule to

spread any high vibration tool use across a longer period of time.

EMERGENCY

Familiarize yourself with the use of this product by means of this instruction manual. Memorize the safety directions and follow them to the letter. This will help to prevent risks and hazards.

- Always be alert when using this product, so that you can recognize and handle risks early. Fast intervention can prevent serious injury and damage to property.
- Switch off the product and remove the battery pack if there are malfunctions. Have the product checked by a qualified professional and repaired, if necessary, before you operate it again.

KNOW YOUR UNIT

APPLICATIONS

Model: HTX2-M

As a hedge trimmer:

Cutting and trimming hedges and bushes in domestic use.

1	Blade Cover
2	Cutting Blade
3	Guard
4	Front Handle
5	Interlocking Switch
6	Handle
7	Housing
8	Switch Trigger
9	Unlock Button of Battery Pack
10	Battery Pack



NOTE:

HTX2-M-0 does not include the charger and the battery pack.

SPECIFICATIONS*

Model	HTX2-M	
Input voltage	18V d.c.	
No-load speed	2600spm	
Cutting length	18in	
Tooth space	1.1in	
Cutting capacity	0.8in	
Weight (without battery pack)	5.51lbs	
Battery pack model for option	B25X2	B50X2
Rated voltage	18V	18V
Rated capacity	2.5Ah	5.0Ah
Weight	0.74lbs	1.43lbs
Charger model	CHX2	
Rated input	100-240V ~ 50/60Hz	
Rated output	21V, 2000mA	
Charging time (with 2.5 Ah battery)	85mins	
Charging time (with 5.0 Ah battery)	130mins	
Protection class(for charger)	□ / II	
Weight	0.75lbs	

Model	HTX2-M-0
Input voltage	18V d.c.
No-load speed	2600spm
Cutting length	18in
Tooth space	1.1in
Cutting capacity	0.8in
Weight (without battery pack)	5.51lbs
Battery pack model	Not included
Charger model	Not included

ASSEMBLY

1. Unpack all parts and lay them on a flat, stable surface:
2. Remove all packing materials and shipping devices, if applicable.
3. The scope of delivery varies depending on the country and purchased variant:
Model of HTX2-M-0.
 - Hedge trimmer x1
 - Blade Cover x1
 - Screw x2
 - Front Handle x1
 - Instruction Manual x1
4. If you find that parts are missing or show damage do not use the product but contact your dealer. Using an incomplete or damaged product represents a hazard to people and property.
5. Ensure that you have all the accessories and tools needed for assembly and operation. This also includes suitable personal protective equipment.



NOTE:

HTX2-M includes the charger and the battery pack.
HTX2-M-0 does not include the charger and the battery pack.



WARNING:



Wear protective gloves for this assembly work and always lay the product on a flat and stable surface while assembling.



Follow the assembly instructions step-by-step and use the pictures provided as a visual guide to easily assemble the product!

Do not insert the battery pack before the power tool is completely assembled or adjusted!

ASSEMBLING THE FRONT HANDLE



WARNING:

To avoid serious personal injury and damage to the unit, shut the unit off before removing or installing an attachment.

1. Align and insert the front handle (Fig.2).
2. Fix the front handle with two screws (Fig.3).
3. Check if the handle is firmly seated in case of injury.

REMOVING THE BLADE COVER

Remove the blade cover before turning on the machine (Fig.4).

It is recommended to cover the blade when your work is finished.

INSTALLING/REMOVING THE BATTERY PACK



WARNING:

Make sure battery pack snaps in place.
Failure to securely seat the battery pack could cause the battery pack to fall out, resulting in serious personal injury.

To install:

Align and slide the battery pack into the slots of the battery docking port until it locks in place (Fig.5).

To remove:

Press the unlock button of battery pack and remove the battery pack from the product.

OPERATION



WARNING:

Always wear eye, hearing, hand, foot and body protection to reduce the risk of injury when operating this unit. Keep all parts of your body away from the rotating cutting attachment and hot surfaces.

SWITCHING ON/OFF

Hold the product as in working condition.

To start the product, press the switch trigger and the interlocking switch at the front handle at the same time.

To switch the product off, release the switch trigger or the interlocking switch (Fig.6).



NOTE:

For safety reasons, both the interlocking switch and the switch trigger must remain pressed during the entire operation.

GENERAL



WARNING:

Always lubricate the cutting blade with protective spray before use and storage.

1. Double check that all parts are properly fixed.
2. Check the product as well as accessories for damage before each use. Do not use the product if it is damaged or shows wear.
3. Ensure that the air vents are always unobstructed and clear. Clean them if necessary with a soft brush. Blocked air vents may lead to overheating and damage the product
4. Wear eye, hearing, hand, foot and body protection.
5. Always hold the product on its handles. Keep the handles dry and free from lubricant to ensure safe holding.
6. Keep your body and feet in safety distance to cutting head.
7. Inspect the area to be cut and remove any foreign objects that will influence your cutting. If the foreign objects can not be removed, e.g. wire fences, please mark and remember it to avoid touching them during cutting.
8. Run the machine to top speed before cutting.
9. Switch the product off immediately if you are disturbed while working by other people entering the working area. Always let the product come to complete stop before putting it down.
10. Do not overwork yourself. Take regular breaks to ensure you can concentrate on the work and have full control over the product.



NOTE:

In some countries regulations define at what time of the day and on what special days products are allowed to be used and what restrictions apply! Ask your community for detailed information and observe the regulations in order to preserve a peaceful neighborhood and avoid committing administrative offences.

CUTTING TIPS



WARNING:

Never cut near electric cords or lines. If blade jams on any electrical cord or line, **DO NOT TOUCH THE BLADE! IT CAN BECOME ELECTRICALLY LIVE AND VERY DANGEROUS.** Continue to hold the hedge trimmer by the insulated rear handle or lay it

down and away from you in a safe manner. Disconnect the electrical service to the damaged line or cord before attempting to free the blade from the line or cord. Contact with the blade, other conductive parts of the hedge trimmer, or live electric cords or lines will result in death by electrocution or serious injury.

- Clear the area to be cut before each use. Remove all objects such as cords, lights, wire, or loose string which can become entangled in the cutting blade and create a risk of serious personal injury.
- Before starting the hedge trimmer, hold the unit with both hands with the cutting blades directed away from you. Always use the hedge trimmer properly.
- Do not force the hedge trimmer through heavy shrubbery. This can cause the blades to bind and slow down. If the blades slow down, reduce the pace.
- Do not try to cut stems or twigs that are larger than 3/4 in. thick, or those obviously too large to feed into the cutting blade. Use a non-powered hand saw or pruning saw to trim large stems.
- If blades do become jammed, stop the product, allow the blades to stop and remove the battery pack before attempting to remove the obstruction.
- If desired, you can use a string to help cut your hedge level. Decide how high you want the hedge.
- Then, stretch a piece of string along the hedge at this height. Trim the hedge just above this guide line of string. Trim the side of a hedge so that it will be slightly narrower at the top. More of the hedge will be exposed when shaped this way, and it will be more uniform.
- Always hold hedge trimmer with both hands when operating. Use a firm grip on the handles. Never hold shrubs with one hand and operate the hedge trimmer with the other. Improper operation of the hedge trimmer could result in serious injury. The unit is used for cutting in either direction in a slow, sweeping action from side to side.
- Wear gloves when trimming thorny or prickly growth. When trimming new growth, use a wide sweeping action, so that the stems are fed directly into the cutting blade. Older growth will have thicker stems and will be trimmed easiest by using a sawing movement.
- The risk of the operation may occur, such as the sharp tree branches may cut the user's skin, the blade of the unit may hurt the user's body. Always wear eye, hearing, hand, foot and body protection to reduce the risk of injury when operating this unit.

HOW TO CHARGE THE BATTERY PACK



WARNING:

This Lithium-Ion battery pack is shipped partially charged. Fully charge the battery pack before using it for the first time.



NOTE:

Charging batteries at a ambient temperature of 32°F(0°C)-104°F(40°C).

1. Charge the Lithium-Ion battery pack only with the correct charger.
2. Connect the charger to a power supply, the light indicator of the charger turns red.
3. Align the raised ribs of the battery pack with the slot in the charger.
4. Insert the battery pack into the charger, the light indicator of the charger turns green and it flashes.
5. The charger will communicate with the battery pack to evaluate the condition of the battery pack (Fig.7).
6. It is fully charged that the four lights of the battery turn on. Disconnect the power supply from the charger. Remove battery pack from the charger.

CHARGING INDICATOR

Press the light button (Fig.8) to check the battery pack whether needs to charge.

Lights			Status
Lighted	Off	Blinking	
			The battery is at full capacity.
			The battery is at 75% capacity.
			The battery is at 50% capacity and requires charging.
			The battery is at 25% capacity and requires charging soon.

	The battery is less than 5% capacity and requires charging immediately.
--	---



WARNING:

Malfunctions may occur when the four lights blinking in turns.

OVERHEAT PROTECTION

When the tool/battery is overheated, the tool stops automatically. In this situation, let the power tool/battery cool before turning the tool on again.

OVERDISCHARGE PROTECTION

When the battery capacity is not enough, the tool stops automatically. In this case, remove the battery from the tool and charge the battery.

MAINTENANCE



WARNING:

Always switch the product off, remove the battery pack and let the product cool down before performing cleaning and maintenance work!

Always wear eye, hearing, hand, foot and body protection to reduce the risk of injury when operating this unit.

Only perform cleaning and maintenance work according to these instructions! All further works must be performed by a qualified specialist!

And only use specified spare parts for replacement.

LUBRICATING THE BLADE



WARNING:

Always allow the blades of the hedge trimmer to come to a complete stop and pull out the battery pack before lubricating. Failure to do so could result in accidental starting causing possible serious personal injury.

For easier operation and longer blade life, lubricate the hedge trimmer blade before and after each use. If you will not be using the hedge trimmer for an extended time, it is advisable to oil the blade periodically. Stop the hedge trimmer. Pull out the battery pack from the product. Lay the hedge trimmer on a flat surface and apply light weight machine oil along the edge of the top blade (Fig.9).

SHARPENING THE BLADE



WARNING:

During the maintenance, users should take care of their safety. Always wear eye, hearing, hand, foot and body protection to reduce the risk of injury when operating this unit. And check the unit that it can work normally after the maintenance. If any deterioration occurs, follow the maintenance according to this instruction!



NOTE:

Allow the blades of the hedge trimmer to come to a complete stop in the position shown. This will allow clearance for the file between the cutter teeth and the guard teeth.

Remove and pulling out the battery pack from the product. Clamp the blade assembly in a vise and file the exposed cutting surface of each blade tooth with an 8 in. smooth round file, 1/4 in. or 7/32 in. in diameter. Be sure to retain the original angle of the tooth when filing. In order to file both sides of each cutter tooth, you may need to momentarily run the hedge trimmer until the opposing side of the cutter teeth are exposed. Do not run the hedge trimmer while it is locked into the vise. Make sure all tools for sharpening have been removed before installing the battery. Remove the battery pack and repeat the sharpening process for the newly exposed teeth (Fig.10).

CLEANING

Switch the product off, pull out the battery pack from the product. Use a small brush to clean the outside of the unit. Do not use strong detergents. Household cleaners that contain aromatic oils such as pine and lemon, and solvents such as kerosene, can damage plastic. Wipe off any moisture with a soft cloth.



NOTE:

If the cutting blade is blocked by foreign objects during the operating, stop the product, wait for the cutting blade stops entirely, remove the foreign objects and clean the cutting blade.

TRANSPORT

- Clean the product as described above.
- Install the blade cover during the transport.
- Always carry the product by its handle.
- Protect the product from any heavy impact or strong vibrations which may occur during transportation in vehicles.
- Secure the product to prevent it from slipping or falling over, damage or injury.

STORAGE

- Clean the product as described above.
- Store the product and its accessories in a dark, dry, frost-free, well-ventilated place.
- Always store the product in a place that is inaccessible to children. The ideal storage temperature is between 50°F(10°C) and 86°F(30°C).
- We recommend using the original package for storage or covering the product with a suitable cloth or enclosure to protect it against dust.



NOTE:

To prolong battery life, never store battery pack in a completely discharged condition. Make sure the battery pack is charged once per year or when the LED indicator shows only one light.

DISPOSAL

Waste product should not be disposed of with household waste. Please recycle where facilities exist. Check with your local authority or retailer for recycling advice.

During the operation, the leaves or tree branches may be cut by the unit, users should clean these objects to protect environment.



Electrical products should not be discarded with household products. Used electrical products must be collected separately and disposed of at collection points provided for this purpose. Talk with your local authorities or dealer for advice on recycling.

TROUBLESHOOTING

Suspected malfunctions are often due to causes that the users can fix themselves. Therefore, check the product using this section. In most cases the problem can be solved quickly.

PROBLEM	POSSIBLE CAUSE	SOLUTION
Product does not start	Battery pack not properly attached	Attach properly
	Battery pack capacity too low	Remove and charge battery pack
	Battery pack damaged	Check by a specialist electrician
	Switch trigger or interlocking switch not set on ON position	Refer to chapter "SWITCHING ON/OFF"
Product does not reach full power	Battery pack capacity too low	Charge battery pack
	Air vents are blocked	Clean the air vents
Result is unsatisfactory	Cutting attachment is worn	Replace with a new one
Vibration or noise is excessive	Bolts/nuts are loose	Tighten bolts/nuts
Product suddenly stops	Battery pack capacity too low	Remove and charge battery pack
	Battery too hot	Remove battery pack and let it cool down

WARRANTY

LIMITED TWO-YEAR WARRANTY

2-year limited warranty on all Senix X2 series outdoor battery powered equipment and charger. 2-year limited warranty on all Senix X2 batteries.*

FOR TWO YEARS from the original date of retail purchase this Senix product is warranted against defects in materials or workmanship on power tools and chargers. Defective product will receive free repair.*

FOR TWO YEARS from the original date of retail purchase this Senix product is warranted against defects in materials or workmanship on batteries. Defective product will receive free repair.*

This warranty does not cover normal wear of parts and components such as cutting chain, line or blades nor does this warranty cover product transportation cost for warranty or service.

Warranty is subject to the following conditions:

- Warranty applies to the original purchaser at retail and is not transferrable*
- Warranty Registration at www.senixtools.com
- The tool has not been misused, abused, neglected, altered, modified or repaired by anyone other than an authorized service center
- Only genuine Senix accessories have been used with or on this product
- The tool has been subjected to normal wear and tear
- The tool has not been used for trade or professional purposes
- The tool has not been used for rental purposes
- This warranty only covers defects arising under normal usage and does not cover any malfunction, failure or defect resulting from misuse, abuse (including overloading the product, exposure to water or rain) accidents, neglect or lack of proper installation and improper maintenance or storage.

To locate your nearest Senix service provider call toll free at 800-261-3981 or email us at service@senixtools.com.

Additional Limitations

Any implied warranty granted under state law, including warranties of merchantability or fitness for a particular purpose, are limited to three years from the date of purchase on power tools and chargers and seven years on batteries. The manufacturer is not responsible for direct, indirect, incidental or consequential damages. Some states and provinces do not allow limitations on how long an implied warranty lasts and/or do not allow the exclusion or limitation of incidental damages, so the above limitations and exclusions may not apply to you. This warranty gives you specific legal rights, and you may also have other rights which vary from state to state or province to province.

The YAT USA declines any responsibility in regard to civil liability arising from abusive use or not in conformity with proper use and maintenance of the machine as described in the operator's manual.

YAT USA is not responsible for direct, indirect, incidental or consequential damages.

After the purchase, the manufacturer recommends proper maintenance of the machine and to read the operator's manual before using the machine.

*Original purchase receipt may be required for proof of purchase

For customer service contact us toll free at 1-800-261-3981 or Senixtools.com.

YAT USA, Inc. 6441 Hendry Rd. Suite A Charlotte, NC. 28269

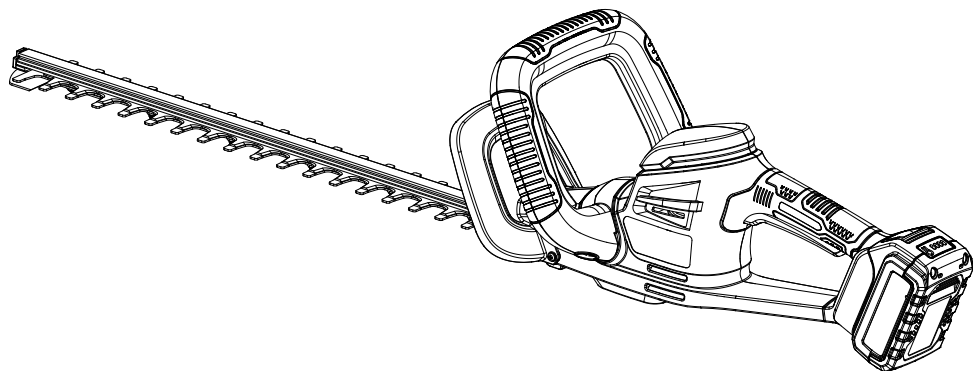


CORTADORA DE SETOS INALÁMBRICA DE IONES DE LITIO MÁX 20V

Manual del operador

Modelo: HTX2-M

HTX2-M-0



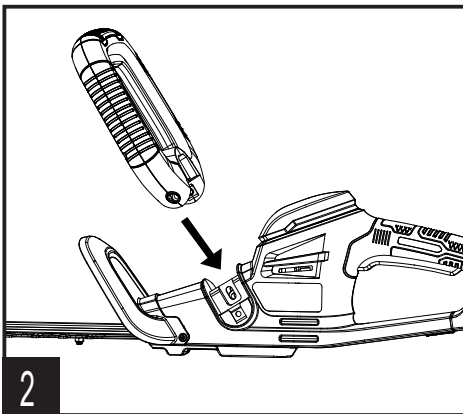
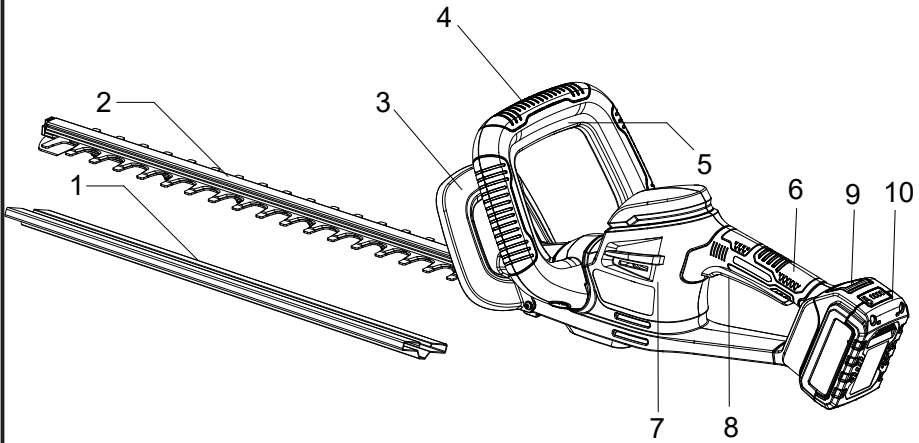
Para el servicio de atención al cliente, llame al 1-800-261-3981 o envíe un email a:

Service@senixtools.com

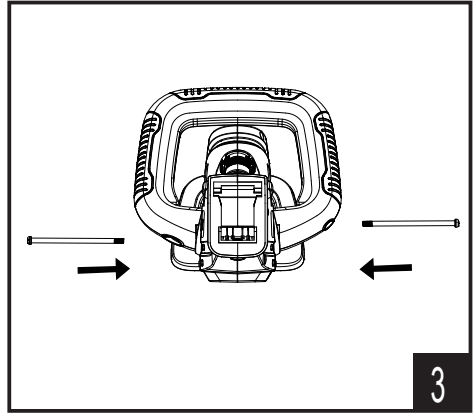
GUARDE ESTE MANUAL PARA FUTURAS CONSULTAS.

INSTRUCCIONES ORIGINALES

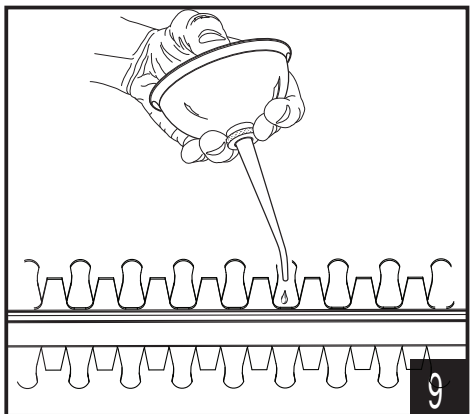
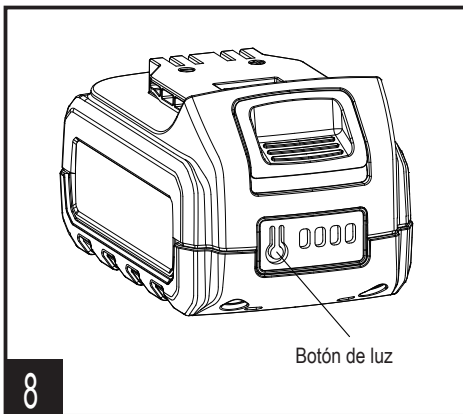
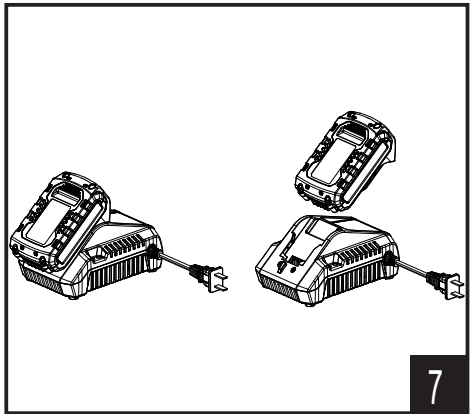
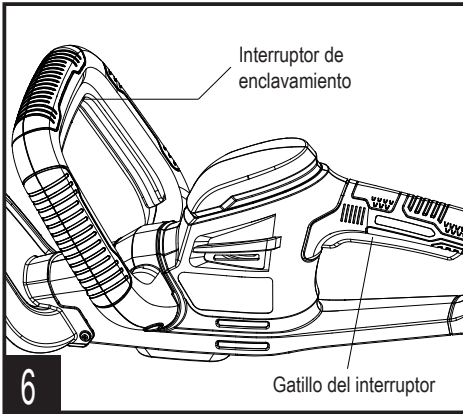
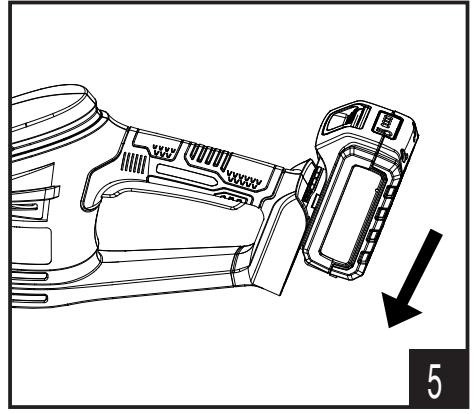
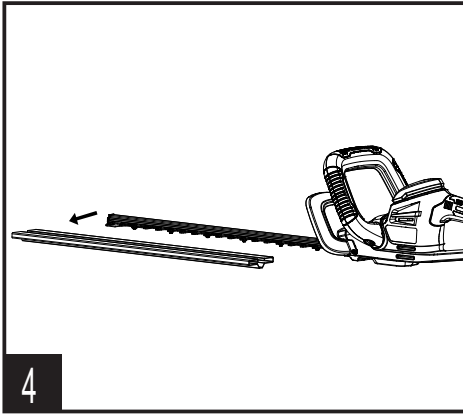
1

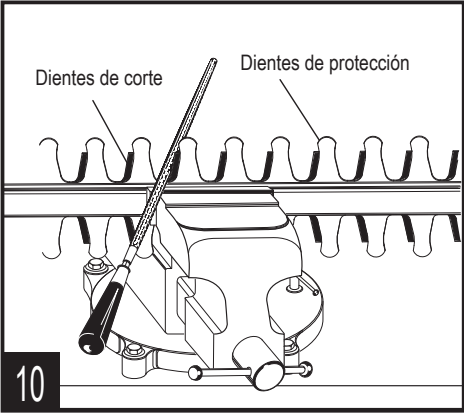


2



3





ÍNDICE

SEGURIDAD Y SÍMBOLOS INTERNACIONALES	26
INSTRUCCIONES DE SEGURIDAD	27
CONOZCA SU UNIDAD	37
ESPECIFICACIONES*	37
ENSAMBLAJE	38
OPERACIÓN	38
MANTENIMIENTO	41
SOLUCIÓN DE PROBLEMAS	43
GARANTÍA	44

SEGURIDAD Y SÍMBOLOS INTERNACIONALES

Este manual del operador describe la seguridad y los símbolos y pictogramas internacionales que pueden aparecer en este producto. Lea el manual del operador para obtener información completa sobre seguridad, montaje, operación y mantenimiento y reparación.



Precaución / Advertencia.



Para reducir el riesgo de lesiones, el usuario debe leer y entender el manual de instrucciones.



Use protección para los ojos.



Use protección para la cabeza.



PELIGRO: mantenga las manos alejadas de la cuchilla.



No usar bajo la lluvia o en condiciones de humedad.



Use calzado de seguridad.



Use guantes de protección.



No deseche los paquetes de baterías en los ríos ni los sumerja en agua.



No arroje los paquetes de baterías al fuego. Explotarán y causarán lesiones.



Use y guarde la batería a una temperatura inferior a 122°F (50°C).



No desensamble, aplaste o caliente por encima de los 212°F (100°C). Nunca exponga la batería a microondas o altas presiones.



Mantenga a los transeúntes a una distancia segura de la zona de trabajo.



Para uso solo en interiores. Utilice el cargador de batería únicamente en interiores.

INSTRUCCIONES DE SEGURIDAD

Todos los operadores deben leer estas

Instrucciones antes del uso.

Siga siempre estas pautas de seguridad. De no hacerlo, puede provocar lesiones personales graves o la muerte.

¡PELIGRO!

Esto indica una situación peligrosa que, si no se sigue, provocará lesiones graves o la muerte.

¡ADVERTENCIA!

Esto indica una situación peligrosa que, si no se sigue, podría provocar lesiones graves o la muerte.

¡PRECAUCIÓN!

Esto indica una situación peligrosa que, si no se sigue, podría provocar lesiones leves o moderadas.

ADVERTENCIAS DE SEGURIDAD GENERALES PARA HERRAMIENTAS ELÉCTRICAS

¡ADVERTENCIA!

Lea todas las advertencias de seguridad y todas

las instrucciones. Si no sigue las advertencias y las instrucciones, puede producirse una descarga eléctrica, un incendio y/o una lesión

seria.

Guarde todas las advertencias e instrucciones para su consulta futura.

El término "herramienta eléctrica" que aparece en las advertencias se refiere a herramientas alimentadas por la red eléctrica (con cable) o a herramientas alimentadas por batería (sin cable).

1) Seguridad en el área de trabajo

- a. Mantenga el área de trabajo limpia y bien iluminada: las áreas desordenadas u oscuras pueden provocar accidentes.
- b. No utilice herramientas eléctricas en atmósferas explosivas, como en presencia de líquidos, gases o polvo inflamables. Las herramientas eléctricas generan chispas que pueden encender el polvo o los vapores.
- c. Mantenga alejados a los niños y transeúntes mientras utiliza una herramienta eléctrica: las distracciones pueden hacer que pierda el control.

2) Seguridad eléctrica

- a. Los enchufes de las herramientas eléctricas deben coincidir con el tomacorriente. Nunca modifique el enchufe de ningun-

na manera. No utilice enchufes adaptadores con herramientas eléctricas conectadas a tierra. Los enchufes sin modificar y los tomacorrientes coincidentes reducirán el riesgo de descarga eléctrica.

- b. Evite el contacto corporal con superficies conectadas a tierra, como tuberías, radiadores, estufas y refrigeradores: existe un mayor riesgo de descarga eléctrica si su cuerpo está conectado a tierra.
- c. No exponga las herramientas eléctricas a la lluvia ni a condiciones de humedad: el agua que ingresa a una herramienta eléctrica aumentará el riesgo de descarga eléctrica.
- d. No maltrate el cable. Nunca use el cable para transportar, desenchufar o tirar de la herramienta eléctrica. Mantenga el cable alejado del calor, el aceite, los bordes afilados o las piezas móviles. Los cables dañados o enredados aumentan el riesgo de descarga eléctrica.
- e. Cuando opere una herramienta eléctrica al aire libre, use un cable de extensión para uso en exteriores. El uso de un cable para exteriores reduce el riesgo

de descarga eléctrica.

3) Seguridad personal

- a. Manténgase alerta, preste atención a lo que está haciendo y use el sentido común cuando opere una herramienta eléctrica. No utilice una herramienta eléctrica si está cansado o bajo la influencia de drogas, alcohol o medicamentos. Un momento de falta de atención mientras utiliza herramientas eléctricas puede provocar lesiones personales graves.
- b. Utilice equipos de seguridad. Utilice siempre protección para los ojos. Los equipos de protección que utilice para las condiciones adecuadas, como mascarillas antipolvo, zapatos de seguridad antideslizantes o protección auditiva, reducirán las lesiones personales.
- c. Evite arranques accidentales. Asegúrese que el interruptor esté en la posición de apagado antes de enchufarlo: llevar herramientas eléctricas con el dedo en el interruptor o enchufar herramientas eléctricas que tienen el interruptor encendido puede provocar accidentes.
- d. Retire cualquier llave de ajuste o

- llave inglesa antes de encender la herramienta eléctrica. Una llave inglesa o una llave colocada en una parte giratoria de la herramienta eléctrica pueden provocar lesiones personales.
- e. No extienda el cuerpo en exceso. Mantenga una base y un equilibrio adecuados en todo momento: esto permite un mejor control de la herramienta eléctrica en situaciones inesperadas.
 - f. Vístase correctamente. No use ropa suelta o joyas. Mantenga el cabello, la ropa y los guantes alejados de las piezas móviles: la ropa holgada, las joyas o el pelo largo pueden quedar atrapados en las piezas móviles.
 - g. Si se proporcionan dispositivos para la conexión de instalaciones de extracción y recolección de polvo, asegúrese de que estén conectados y se utilicen correctamente. El uso de la recolección de polvo puede reducir los peligros relacionados con el polvo.
- la herramienta eléctrica correcta hará el trabajo mejor y más seguro a la velocidad para la que fue diseñada.
- b. No utilice la herramienta eléctrica si el interruptor no la enciende y apaga. Cualquier herramienta eléctrica que no pueda controlarse con el interruptor es peligrosa y debe repararse.
 - c. Desconecte el paquete de baterías de la herramienta eléctrica antes de realizar cualquier ajuste, cambiar accesorios o almacenar herramientas eléctricas. Estas medidas de seguridad preventivas reducen el riesgo de encender la herramienta eléctrica accidentalmente.
 - d. Guarde las herramientas eléctricas inactivas fuera del alcance de los niños y no permita que personas no familiarizadas con la herramienta eléctrica o con estas instrucciones operen la herramienta eléctrica. Las herramientas eléctricas son peligrosas en manos de usuarios inexpertos.
 - e. Realice un mantenimiento a las herramientas eléctricas. Compruebe que no hayan piezas móviles desalineadas, atoradas o rotas ni ninguna otra condición

4) Uso y cuidado de las herramientas eléctricas

- a. No fuerce la herramienta eléctrica. Utilice la herramienta eléctrica correcta para su aplicación:

que pueda afectar el funcionamiento de la herramienta eléctrica. Si está dañada, haga reparar la herramienta eléctrica antes de usarla. Muchos accidentes son causados por herramientas eléctricas con un mantenimiento deficiente.

- f. Mantenga las herramientas de corte afiladas y limpias. Las herramientas de corte con un mantenimiento adecuado son menos propensas a trabarse y son más fáciles de controlar.
- g. Utilice la herramienta eléctrica, accesorios y brocas, etc., de acuerdo con estas instrucciones y de la manera prevista para el tipo particular de herramienta eléctrica, teniendo en cuenta las condiciones de trabajo y el trabajo a realizar. El uso de la herramienta eléctrica para operaciones diferentes de las previstas podría resultar en una situación peligrosa.

5) Uso y cuidado de la herramienta de batería

- a. Recargar solo con el cargador especificado por el fabricante. Un cargador adecuado para un tipo de paquete de batería podría crear un riesgo de incendio

si se usa con otro paquete de batería distinto.

- b. Use herramientas eléctricas solo con los paquetes de batería específicamente designados. El uso de cualquier otro paquete de batería puede generar riesgo de lesiones e incendio.
- c. Cuando el paquete de batería no esté en uso, manténgalo alejado de otros objetos metálicos como clips, monedas, llaves, clavos, tornillos u otros objetos pequeños de metal, que puedan hacer una conexión entre una terminal y otra. Un cortocircuito en las terminales de la batería podría causar quemaduras o incendios.
- d. En condiciones extremas, el líquido podría ser eyectado de la batería; en ese caso, evite el contacto. Si hay contacto accidental, enjuague con agua. Si el líquido entrara en los ojos, busque ayuda médica. El líquido eyectado de la batería puede causar irritación o quemaduras.

6) Servicio

- a. Haga reparar su herramienta eléctrica con un reparador calificado, utilizando solamente piezas de repuesto idénticas.

Esto asegurará que se mantenga la seguridad de la herramienta eléctrica.

ADVERTENCIAS PARA TODOS LOS APARATOS A BATERÍA

- a. Evite arranques accidentales. Asegúrese que el interruptor esté en la posición de OFF (apagado) antes de conectar el paquete de baterías, recoger la herramienta o transportarla. Transportar herramientas eléctricas con el dedo en el interruptor o energizar herramientas eléctricas con el interruptor encendido, invita a accidentes.
- b. Asegúrese de que el interruptor de encendido esté apagado y que la batería esté retirada antes de limpiar el material atascado, hacer ajustes, cambiar accesorios, almacenar o reparar el aparato. Si el cortador de setos se enciende accidentalmente cuando se está limpiando el material atascado o cuando se está dando mantenimiento al aparato, podría causar lesiones personales graves.
- c. Recargar solo con el cargador especificado por el fabricante. Un cargador adecuado para un tipo de paquete de batería podría crear un riesgo de incendio si se usa con otro paquete de batería distinto.
- d. Use los aparatos solo con los paquetes de batería específicamente designados. El uso de cualquier otro paquete de batería puede generar riesgo de lesiones e incendio.
- e. Cuando el paquete de batería no esté en uso, manténgalo alejado de otros objetos metálicos como clips, monedas, llaves, clavos, tornillos u otros objetos pequeños de metal, que puedan hacer una conexión entre una terminal y otra. Un cortocircuito en las terminales de la batería podría causar quemaduras o incendios.
- f. En condiciones extremas, el líquido podría ser eyectado de la batería; en ese caso, evite el contacto. Si hay contacto accidental, enjuague con agua. Si el líquido entrara en los ojos, busque ayuda médica. El líquido eyectado de la batería puede causar irritación o quemaduras. (Este consejo se considera correcto para los tipos de pilas de iones de litio, plomo, ácido y NiMh, NiCd convencionales. Si este consejo es incorrecto para

- un diseño de celda que difiere de estos, entonces se puede sustituir por el consejo correcto).
- g. No use el paquete de batería o la herramienta si está dañada o modificada. Las baterías dañadas o modificadas pueden tener un comportamiento impredecible que puede resultar en incendios, explosiones o riesgo de lesiones.
 - h. No exponga el paquete de batería o la herramienta al fuego o a temperaturas excesivas. La exposición al fuego o a temperaturas superiores a (130 °C) puede causar explosiones. La temperatura de 130 °C puede reemplazarse por la temperatura de 265 °F.
 - i. Siga todas las instrucciones de carga y no cargue el paquete de batería el aparato fuera del rango de temperatura especificado en las instrucciones. La carga inadecuada o a temperaturas que excedan el rango especificado puede dañar la batería e incrementar el riesgo de incendio.
 - j. Haga que el servicio lo lleve a cabo un técnico calificado que utilice únicamente piezas de repuesto idénticas. Esto asegurará que se mantenga la seguridad del producto.
 - k. No modifique ni intente reparar el aparato o el paquete de baterías (según corresponda) excepto como se indica en las instrucciones de uso y cuidado.

REGLAS DE SEGURIDAD ADICIONALES PARA LA CORTADORA DE SETOS

- a. Sujete siempre la cortadora de setos con ambas manos al utilizarla. Al usarlo con una sola mano podría perder el control y resultar en lesiones personales graves.
- b. Mantenga todas las partes de su cuerpo alejadas de las cuchillas de corte. No retirar el material cortado ni sostener el material que se va a cortar cuando las cuchillas estén en movimiento. Asegúrese de que el interruptor esté apagado cuando limpie el material atascado. Un momento de descuido durante la operación del cortadora de setos puede provocar una lesión personal grave.
- c. Transporte la cortadora de setos por el mango cuando la hoja de la cuchilla esté detenida. Cuando transporte o guarde el cortadora de setos, siempre inserte la cubierta del dispositivo de corte.

- El manejo adecuado de la cortadora de setos reducirá la posibilidad de lesiones personales causadas por las cuchillas de la cortadora.
- d. Sostenga la herramienta eléctrica solamente mediante las superficies aisladas de agarre porque la cuchilla puede entrar en contacto con cableado oculto o con su propio cable. Las cuchillas que entran en contacto con un cable bajo tensión pueden hacer que las partes metálicas expuestas de la herramienta eléctrica se carguen y darle al operador una descarga eléctrica.
 - e. Mantenga el cableado alejado de la zona de corte. Durante la operación, el cable puede quedar oculto entre los matorrales y la cuchilla podría cortarlo accidentalmente.
 - f. Retire cualquier hoja que haya sido dañada. Asegúrese siempre de que la hoja esté instalada correctamente y sujeta de forma segura antes de cada uso. No hacerlo puede causar lesiones graves.
 - g. El servicio del producto debe ser realizado únicamente por personal de reparación calificado. El servicio o mantenimiento realizado por personal no calificado podría resultar en lesiones al usuario o daños al producto.
 - h. No se incline demasiado y mantenga el equilibrio en todo momento. Cuando esté en una superficie inclinada, siempre fíjese dónde pisa. Camine mientras opera la herramienta eléctrica, nunca corra.
 - i. Antes de tocar las piezas móviles peligrosas, espere a que estas se hayan detenido por completo y a que se haya retirado la batería.
 - j. No utilice la máquina en condiciones climáticas adversas, especialmente cuando exista riesgo de relámpagos.
 - k. Inspeccione el área a cortar y retire los objetos extraños que pueden interferir con el corte. Si no se pueden quitar los objetos extraños, como portones de cable, márquelos y recuerde evitar tocarlos a la hora de cortar.
 - l. Asegúrese de que el cortadora de setos esté correctamente ubicada en una posición de trabajo designada antes de arrancar el motor.
 - m. Asegúrese siempre de que los conductos de aire se mantengan libres de desechos.

- n. Si el accesorio de corte golpea algún objeto extraño o el producto comienza a hacer ruidos o vibraciones inusuales, apague el producto, retire la batería, deje que el producto se detenga y siga los siguientes pasos:
- inspecciones en búsqueda de algún daño;
 - verifique y apriete las piezas sueltas;
 - reemplace o repare las piezas dañadas con piezas que tengan especificaciones equivalentes.
- o. Nunca permita que personas que desconozcan estas instrucciones o que los niños usen el producto. Las regulaciones locales pueden restringir la edad del operador.
- p. Tenga en cuenta que el operador o usuario es responsable de accidentes o peligros que sucedan a otras personas o a su propiedad.

ADVERTENCIAS DE SEGURIDAD DEL PAQUETE DE BATERÍA

- Antes de insertar el paquete de batería, asegúrese de que el interruptor esté en la posición de apagado (off) La inserción del paquete de batería en máquinas que tengan el interruptor encendido (on) podría causar accidentes.
- Use solo paquetes de batería originales diseñados específicamente para esta máquina. El uso de cualquier otro paquete de batería puede generar riesgo de lesiones e incendio.
- No abra la batería. Peligro de cortocircuito.
- Proteja la batería del calor (como luz solar intensa y continua e incendios), el agua y la humedad. Peligro de explosión.
- En caso de daño o uso inadecuado de la batería, podrían emitirse vapores. Ventile el área y busque ayuda médica en caso de quejas. Los vapores pueden irritar el sistema respiratorio.
- Use el paquete de batería solo con este producto y/o familia de productos. Esta medida por sí sola protege la batería contra una sobrecarga peligrosa.
- La batería puede dañarse por objetos puntiagudos como clavos o tornillos o si se aplica fuerza externamente. Puede ocurrir un cortocircuito interno y la batería puede quemarse, humear, explotar o sobrecalentarse.
- No provoque un cortocircuito de la batería. Existe el peligro de

explosión.

- Almacene y use la batería solo dentro de un rango de temperatura entre -4 °F (-20 °C) y 77 °F (25 °C). Por ejemplo, no deje la batería dentro del auto en verano.
- Limpie de vez en cuando las ranuras de ventilación y clavijas de contacto del paquete de batería con un cepillo suave, limpio y seco.

ADVERTENCIAS DE SEGURIDAD DEL CARGADOR DE BATERÍAS

Lea todas las instrucciones y advertencias de seguridad antes de usar el cargador. ¡Para uso solo en interiores!

- Este equipo no está previsto para ser utilizado por niños o por personas con limitaciones físicas, sensoriales o mentales o con falta de experiencia o conocimiento. Este aparato puede ser usado por niños a partir de 8 años y mayores, y personas con capacidades físicas, sensoriales o mentales reducidas o con falta de experiencia y conocimiento si tienen supervisión o instrucciones relativas al uso del aparato de manera segura y si comprenden los peligros que

conlleva. Los niños no deben jugar con el aparato. Los niños no deberán realizar la limpieza y el mantenimiento sin supervisión.

- El cable de suministro no puede reemplazarse. Si el cable está dañado, el aparato deberá desecharse.
- Cargue la batería de iones de litio únicamente como se menciona en este manual de instrucciones. No cargue baterías no recargables.
- La batería y el cargador deben colocarse en un área bien ventilada.
- Si el cable de suministro está dañado, para evitar cualquier peligro, deberá ser sustituido por el fabricante, su agente de servicio o personas similarmente calificadas.
- No opere el cargador de batería en superficies o entornos fácilmente inflamables (como papel, textiles, etc.). El calor del cargador de la batería durante el proceso de carga puede suponer un peligro de incendio.
- No tape las ranuras de ventilación del cargador de baterías. Si las tapa, el cargador podría sobrecalentarse y dejar de funcionar correctamente.

VIBRACIÓN + REDUCCIÓN DE RUIDO

Para reducir el impacto de las emisiones de ruido y vibración, limite el tiempo de funcionamiento, utilice modos de funcionamiento de poca vibración y poco ruido y use equipos de protección personal. Tenga en cuenta los siguientes aspectos para minimizar los riesgos de exposición a la vibración y al ruido.

- Utilice el producto únicamente según lo previsto en su diseño y según estas instrucciones.
- Asegúrese de que el producto esté en buenas condiciones y reciba el mantenimiento correcto.
- Utilice los accesorios correctos para el producto y asegúrese de que estén en buenas condiciones.
- Mantenga un agarre firme de las asas y de la superficie de agarre.
- Realice el mantenimiento de este producto de acuerdo con estas instrucciones y manténgalo bien lubricado (cuando corresponda).
- Planifique su horario de trabajo para distribuir cualquier uso de la herramienta a alta vibración a lo largo de un período de tiempo más largo.

EMERGENCIA

Familiarícese con el uso de este producto mediante este manual de instrucciones. Memorice las instrucciones de seguridad y sígalas al pie de la letra. Esto ayudará a prevenir riesgos y peligros.

- Siempre esté alerta cuando utilice este producto para que pueda reconocer y manejar los riesgos a tiempo. Una intervención rápida puede prevenir lesiones graves y daños a la propiedad.
- Apague el producto y retire el paquete de batería si hay cualquier mal funcionamiento. Asegúrese de que el producto sea revisado por un profesional calificado y que sea reparado, si es necesario, antes de volver a operarlo.

CONOZCA SU UNIDAD

APLICACIONES

Modelo: HTX2-M

Como cortadora de setos:

Cortar y podar setos y arbustos en el uso doméstico.

1	Cubierta de la cuchilla
2	Cuchilla de corte
3	Protector
4	Mango delantero
5	Interruptor de enclavamiento
6	Mango
7	Alojamiento
8	Gatillo del interruptor
9	Botón de desbloqueo del paquete de baterías
10	Paquete de batería



NOTA:

La HTX2-M-0 no incluye el cargador ni el paquete de batería.

ESPECIFICACIONES*

Modelo	HTX2-M	
Voltaje de entrada	18V c.c.	
Velocidad sin carga	2600 rpm	
Longitud de corte	45 cm	
Espacio del diente	2.8 cm	
Capacidad de corte	2 cm	
Peso (sin batería)	2.5 kg	
Modelo de paquete de baterías para la opción	B25X2	B50X2
Tensión nominal	18V	18V
Capacidad nominal	2.5Ah	5.0Ah
Peso	336 gramos	649 gramos
Modelo del cargador	CHX2	
Entrada nominal	100-240 V ~ 50 / 60Hz	
Salida nominal	21 V, 2000 mA	
Tiempo de carga (con batería de 2.5 Ah)	85 mins	
Tiempo de carga (con batería de 5.0 Ah)	130 mins	
Clase de protección (para cargador)	/ II	
Peso	340 gramos	

Modelo	HTX2-M-0
Voltaje de entrada	18V c.c.
Velocidad sin carga	2600 rpm
Longitud de corte	45 cm
Espacio del diente	2.8 cm
Capacidad de corte	2 cm
Peso (sin batería)	2.5 kg
Modelo del paquete de batería	No incluido
Modelo del cargador	No incluido

ENSAMBLAJE

1. Desempaque todas las piezas y colóquelas en una superficie llana y estable:
2. Retire todos los materiales de embalaje y dispositivos de envío, si corresponde.
3. El alcance de la entrega varía en función del país y la variante adquirida:
 - Modelo de HTX2-M-0.
 - Cortadora de setos x1
 - Cubierta de la cuchilla x1
 - Tornillo x2
 - Mango delantero x1
 - Manual de instrucciones x1
4. Si ve que faltan partes o se ve dañado, no use el producto y póngase en contacto con el distribuidor. El uso de un producto incompleto o dañado representa un peligro para las personas y la propiedad.
5. Asegúrese de que tiene todos los accesorios y herramientas necesarios para el ensamblaje y la operación. Esto también incluye el uso de equipos de protección personal adecuados.



NOTA:

HTX2-M incluye el cargador y el paquete de batería.
HTX2-M-0 no incluye el cargador ni el paquete de batería.



ADVERTENCIA:



Póngase guantes de protección para este trabajo de ensamblaje y coloque siempre el producto sobre una superficie plana y estable cuando lo esté montando.



Siga las instrucciones de ensamblaje paso a paso y use las imágenes que se indican como guía visual para ensamblar fácilmente el producto.

¡No inserte la batería antes de que la herramienta eléctrica esté completamente ensamblada o ajustada!

ENSAMBLAJE DEL MANGO DELANTERO



ADVERTENCIA:

Para evitar lesiones personales graves y daños a la unidad, apague la unidad antes de eliminar o instalar un accesorio.

1. Alinee e inserte el mango delantero (Fig.2).
2. Fije el mango delantero con dos tornillos (Fig. 3).
3. Compruebe si el mango está firmemente asentado en caso de lesión.

RETIRE LA CUBIERTA DE LAS CUCHILLAS

Retire la cubierta de la cuchilla antes de encender la máquina (Fig.4).

Se recomienda cubrir las cuchillas cuando termine el trabajo.

INSTALAR/RETIRAR EL PAQUETE DE BATERÍA



ADVERTENCIA:

Asegúrese de que la batería encaje en su lugar. Un paquete de batería incorrectamente colocado se puede caer y causar lesiones personales graves.

Para instalar:

Acople, alinee y deslice el paquete de batería en las ranuras del puerto de carga de la batería hasta que haga clic indicando que encajó (Fig. 5).

Para retirar:

Presione el botón de desbloqueo del paquete de la batería y extráigala del producto.

OPERACIÓN



ADVERTENCIA:

Use siempre protección para los ojos, oídos, pies y cuerpo, y reduzca así el riesgo de lesiones a la hora de operar esta unidad. Mantenga todas las partes de su cuerpo alejadas del accesorio de corte en rotación y de las superficies calientes.

APAGAR Y ENCENDER

Sostenga el producto como en condiciones de funcionamiento.

Para encender el producto, presione el gatillo del interruptor y el interruptor de enclavamiento en el mango delantero al

mismo tiempo.

Para apagar el producto, libere el gatillo del interruptor o el interruptor de enclavamiento (Fig. 6).



NOTA:

Por razones de seguridad, tanto el interruptor de enclavamiento como el gatillo del interruptor deben mantenerse presionados durante toda la operación.

GENERAL



ADVERTENCIA:

Siempre lubrique la cuchilla con spray protector antes del uso y almacenamiento.

1. Verifique que todas las partes hayan quedado correctamente fijadas.
2. Antes de cada uso, verifique el producto y sus accesorios para detectar posibles daños. No use el producto si está dañado o muestra signos de desgaste.
3. Asegúrese de que las rendijas de ventilación estén siempre sin obstrucciones y despejadas. Limpie si es necesario con un cepillo suave. Las rendijas de ventilación bloqueadas podrían causar sobrecalentamiento y dañar el producto.
4. Utilice protección para los ojos, los oídos, las manos, los pies y el cuerpo.
5. Siempre sujete el producto por las asas. Mantenga las asas secas y sin lubricante para asegurar un soporte seguro.
6. Mantenga su cuerpo y sus pies a una distancia de seguridad del cabezal de corte.
7. Inspeccione el área a cortar y retire los objetos extraños que pueden interferir con el corte. Si no se pueden quitar los objetos extraños, como portones de cable, márquelos y recuerde evitar tocarlos a la hora de cortar.
8. Ponga la máquina en velocidad máxima antes de cortar.
9. Apague el producto de inmediato si otras personas que entran al área de trabajo lo perturban mientras usted trabaja. Siempre espere a que el producto se detenga completamente antes de ponerlo en el suelo.
10. No trabaje en exceso. Tome pausas regulares para asegurar su concentración en el trabajo y el control total del producto.



NOTA:

Algunos países tienen regulaciones que definen el horario del día y los días especiales en que se permite el uso de los productos, así como las restricciones que se aplican. Pida información detallada a su comunidad y respete las regulaciones con el fin de preservar la tranquilidad del

vecindario y evitar cometer infracciones administrativas.

CONSEJOS PARA EL CORTE



ADVERTENCIA:

Nunca corte cerca del cableado eléctrico. Si las cuchillas se atascan con cualquier cableado eléctrico, ¡NO TOQUE LAS CUCHILLAS! PUEDEN CARGARSE CON ELECTRICIDAD Y VOLVERSE MUY PELIGROSAS. Siga sosteniendo la cortadora de setos por el mango trasero aislado y cuando termine, guárdelo con todos los cuidados relativos a la seguridad. Desconecte la alimentación eléctrica del cableado dañado antes de tratar de liberar las cuchillas de los cables. El contacto con las cuchillas, otras partes conductoras de la cortadora de setos o cables eléctricos bajo tensión resultará en la muerte causada por electrocución o lesiones graves.

- Despeje el área a cortar antes de cada uso. Retire todos los objetos como cables, luces, alambres, cables o hilos sueltos que puedan enredarse con la cuchilla de corte y generar un riesgo de lesiones personales graves.
- Antes de encender la cortadora de setos, sostenga la unidad con ambas manos con la dirección de las cuchillas hacia afuera. Use siempre la cortadora de setos correctamente.
- No fuerce la cortadora de setos en arbustos muy densos. Podría causar que las cuchillas se peguen y se desaceleren. Si las cuchillas se desaceleran, reduzca el ritmo de trabajo.
- No trate de cortar tallos o ramas con un grosor mayor a 3/4 de pulgadas, o los que son evidentemente demasiado grandes para el tamaño de la cuchilla. Use una sierra manual o una sierra de vaina para cortar tallos más grandes.
- Si las cuchillas se atorán, detenga el producto, espere a que las cuchillas se detengan y retire el paquete de batería antes de intentar retirar la obstrucción.
- Si lo desea, puede usar una cuerda para ayudarlo a cortar el nivel del seto. Decida la altura a la que quiere el seto.
- Luego, estire una cuerda a lo largo del seto a esa altura. Póse el seto justo por encima de la línea orientativa de la cuerda. Póse los lados del seto para que esté ligeramente más angosto en la parte superior. Una mayor parte del seto quedará expuesta cuando se le da esta forma y quedará más uniforme.
- Sujete siempre la herramienta con ambas manos al

utilizarla. Mantenga un agarre firme de las asas. Nunca sostenga los arbustos con una mano y opere la cortadora de setos con la otra. El manejo incorrecto de la cortadora de setos puede resultar en lesiones graves. La unidad se usa para cortar en cualquier dirección mediante una acción lenta y de barrido de lado a lado.

- Use guantes cuando podes arbustos espinosos o punzantes. Al podar maleza nueva, hágalo con un movimiento amplio de barrido para que los tallos entren directamente en las cuchillas. La maleza vieja tendrá tallos más gruesos y será más fácil de podar con un movimiento tipo serrado.
- Hay riesgos como que las ramas afiladas de un árbol rasguen la piel del usuario, que la cuchilla de la unidad pueda lesionar el cuerpo del usuario. Use siempre protección para los ojos, oídos, pies y cuerpo, y reduzca así el riesgo de lesiones a la hora de operar esta unidad.

CÓMO CARGAR EL PAQUETE DE BATERÍA



ADVERTENCIA:

Este paquete de batería de iones de litio se envía parcialmente cargado. Cargue por completo el paquete de batería antes de usarlo por primera vez.



NOTA:

Carga de baterías a una temperatura ambiente de 32 °F (0 °C) -104 °F (40 °C).

1. Cargue el paquete de batería de iones de litio solo con el cargador indicado.
2. Conecte el cargador a una fuente de alimentación; el indicador luminoso del cargador se pondrá en rojo.
3. Alinee las ranuras levantadas del paquete de batería con la ranura en el cargador.
4. Inserte el paquete de batería en el cargador, la luz indicadora del cargador se enciende en verde y parpadea.
5. El cargador se va a comunicar con el paquete de batería para evaluar su condición (Fig. 7).
6. Está completamente cargado cuando se encienden las cuatro luces de la batería. Desconecte el cargador del suministro de energía. Retire el paquete de batería del cargador.

INDICADOR DE CARGA

Pulse el botón de luz (Fig. 8) para ver si el paquete de batería necesita cargarse.

Luces			Estatus
Iluminado	Apagado	Parpadeo	
			La batería está al máximo de capacidad.
			La batería está al 75% de capacidad.
			La batería está al 50% de capacidad y necesita cargarse.
			La batería está al 25% de capacidad y necesita cargarse pronto.
			La batería está a menos de 5% de capacidad y necesita cargarse pronto.



ADVERTENCIA:

Pueden ocurrir averías cuando las cuatro luces parpadean por turnos.

PROTECCIÓN CONTRA EL SOBRECALENTAMIENTO

Cuando la herramienta/batería se sobrecalienta, la herramienta se detiene automáticamente. En esta situación, deje que la herramienta eléctrica/batería se enfríe antes de volver a encenderla.

PROTECCIÓN CONTRA SOBRE DESCARGA

Cuando la capacidad de la batería no es suficiente, la herramienta se detiene automáticamente. En este caso, retire la batería de la herramienta y cárguela.

MANTENIMIENTO



ADVERTENCIA:

¡Siempre apague el producto, desconecte el paquete de batería de la unidad y deje que el producto se enfríe antes de efectuar trabajos de mantenimiento o limpieza!

Use siempre protección para los ojos, oídos, pies y cuerpo, y reduzca así el riesgo de lesiones a la hora de operar esta unidad.

¡Realice los trabajos de limpieza y mantenimiento conforme a estas instrucciones únicamente! Cualquier otro trabajo debe ser realizado por un especialista cualificado.

Y solo use las piezas de repuesto especificadas para el reemplazo.

LUBRICAR LAS CUCHILLAS



ADVERTENCIA:

Siempre espere a que las cuchillas de la cortadora de setos se hayan detenido por completo para retirar el paquete de batería antes de lubricarlas. Si no lo hace, podría provocarse un accidente que cause lesiones personales graves.

Para una operación más sencilla y una vida útil más larga de las cuchillas, lubrique las cuchillas de la cortadora de setos antes y después de cada uso.

Si va a usar la cortadora de setos por un período largo, se recomienda que aceite las cuchillas periódicamente.

Detenga la cortadora de setos. Retire y saque el paquete de batería del producto. Coloque la cortadora de setos sobre una superficie plana y aplique aceite ligero para máquinas a lo largo del borde de la cuchilla superior (Fig.9).

AFILADO DE LAS CUCHILLAS



ADVERTENCIA:

Durante el mantenimiento, los usuarios deben cuidar su seguridad. Use siempre protección para los ojos, oídos, pies y cuerpo, y reduzca así el riesgo de lesiones a la hora de operar esta unidad. Y compruebe la unidad para ver que funcione como debe tras el mantenimiento. Si hay cualquier deterioro, siga el mantenimiento según estas instrucciones.



NOTA:

Espere a que las cuchillas de la cortadora de setos se hayan detenido por completo en la posición mostrada. Así quedará libre para la lima entre los dientes de corte y los dientes de protección.

Retire y saque el paquete de batería del producto.

Sujete el conjunto de cuchillas en un tornillo de bando y afile la superficie de corte expuesta en cada diente de cuchilla con una lima redonda lisa de 8 pulgadas, 1/4 de pulgada o 7/32 pulgada de diámetro. Asegúrese de conservar el ángulo original del diente a la hora de afilar.

Para limar ambos lados de cada diente cortador, es posible que deba ejecutar momentáneamente la cortadora de setos hasta que el lado opuesto de los dientes cortadores quede expuesto. No haga funcionar la cortadora de setos mientras esté bloqueada con el tornillo. Asegúrese de que se hayan quitado todas las herramientas para afilar antes de instalar la batería. Retire la batería y repita el proceso de afilado para los dientes recién expuestos (Fig.10).

LIMPIEZA

Apague el producto, extraiga el paquete de la batería del producto.

Utilice un cepillo pequeño para limpiar el exterior de la unidad. No use detergentes fuertes. Los limpiadores domésticos que contienen aceites aromáticos, como pino y limón, y los solventes tales como el queroseno, pueden dañar el plástico. Use un paño suave para secar el equipo.



NOTA:

Si la cuchilla se llega a atorar con objetos extraños durante el funcionamiento, detenga el producto, espere a que las cuchillas se detengan por completo, retire los objetos extraños y limpie las cuchillas.

TRANSPORTE

- Limpie el producto de la manera antes mencionada.
- Instale la cubierta de la cuchilla durante el transporte.
- Siempre transporte el producto sujetándolo por las asas.
- Proteja el producto contra cualquier impacto o vibración intensa que pueda ocurrir durante el transporte en un vehículo.
- Asegure el producto para evitar que este resbale o se caiga y para evitar daños o lesiones.

ALMACENAMIENTO

- Limpie el producto de la manera antes mencionada.
- Guarde el producto y sus accesorios en un lugar oscuro, seco, libre de heladas y bien ventilado.
- Guarde siempre el producto en un lugar que no esté accesible a los niños. La temperatura ideal de almacenamiento está entre 50 °F (10 °C) y 86 °F (30 °C).
- Recomendamos el uso del paquete original para guardar o tapar el producto con un paño o caja para protegerlo del polvo.



NOTA:

Para prolongar la vida útil de la batería, nunca guarde el paquete de la batería en una condición completamente descargada. Asegúrese que el paquete de la batería se cargue una vez al año o cuando el indicador LED muestre solo una luz.

ELIMINACIÓN

El producto residual no se debe eliminar con los residuos domésticos del hogar. Recíclelos en las instalaciones disponibles. Consulte a sus autoridades locales o al minorista para asesorarse sobre el reciclaje.

Durante la operación, el aparato podría cortar hojas o ramas de árbol; los usuarios deberían limpiar estas piezas para proteger el medio ambiente.



Los productos eléctricos no deben desecharse con los productos domésticos. Los productos eléctricos usados deben recogerse por separado y eliminarse en los puntos de recogida previstos a tal efecto. Consulte con sus autoridades locales o con el distribuidor para asesorarse sobre el reciclaje.

SOLUCIÓN DE PROBLEMAS

Las sospechas de mal funcionamiento a menudo se deben a causas que el usuario puede corregir por sí mismo. Por tanto, use esta sección para verificar el producto. En la mayoría de los casos el problema se puede resolver rápidamente.

PROBLEMA	POSIBLE CAUSA	SOLUCIÓN
El producto no se enciende	El paquete de batería no está correctamente acoplado	Fíjelo correctamente
	La capacidad del paquete de batería es demasiado baja	Retire y cargue el paquete de batería
	Paquete de batería dañado	Llévelo con un eléctrico especialista para que lo cheque
	El gatillo del interruptor o el interruptor convergente no deben estar en la posición ON	Consulte el capítulo "APAGAR Y ENCENDER"
El producto no alcanza su potencia total	La capacidad del paquete de batería es demasiado baja	Cargue el paquete de batería
	Las salidas de ventilación están bloqueadas	Limpie las salidas de ventilación
El resultado no es satisfactorio	El accesorio de corte está desgastado	Cámbielo por uno nuevo
La vibración o el ruido son excesivos	Los pernos o las tuercas están flojos	Apriete los pernos o las tuercas
El producto se detiene de repente	La capacidad del paquete de batería es demasiado baja	Retire y cargue el paquete de batería
	La batería se sobrecalentó	Retire el paquete de batería y deje que se enfríe

GARANTÍA

GARANTÍA LIMITADA DE DOS AÑOS

Garantía limitada por 2 años en toda la serie Senix X2 de equipos para exteriores que funcionan con batería y cargador.

Garantía limitada de 2 años para todas las baterías Senix X2.*

Este producto Senix se garantiza DURANTE DOS AÑOS, a partir de la fecha original de compra en un comercio minorista, contra defectos de materiales o mano de obra en herramientas eléctricas y cargadores. El producto defectuoso se reparará gratuitamente.*

Este producto Senix se garantiza DURANTE DOS AÑOS, a partir de la fecha original de compra en un comercio minorista, contra defectos de materiales o mano de obra en baterías. El producto defectuoso se reparará gratuitamente.*

La presente garantía no cubre el desgaste normal de las partes y los componentes, como la cadena de corte, la línea o las cuchillas ni tampoco cubre esta garantía el costo de transporte del producto para garantía o servicio.

La garantía está sujeta a las siguientes condiciones:

- La garantía se aplica al comprador original en comercio minorista y no es transferible*
- Registro de garantía en www.senixtools.com
- La herramienta no se ha sometido a uso incorrecto, abuso, negligencia, alteración o modificación y no ha sido reparada fuera de un centro de servicio autorizado
- Solo se han utilizado accesorios originales de Senix con o en este producto
- La herramienta presenta un desgaste normal
- La herramienta no se ha utilizado con fines comerciales o profesionales
- La herramienta no se ha utilizado con fines de alquiler
- Esta garantía solo cubre defectos que ocurran bajo el uso normal y no cubre casos de mal funcionamiento, fallo o defecto que emanen de un uso incorrecto, abuso (incluyendo sobrecarga del producto, exposición al agua o la lluvia), accidentes, negligencia e instalación, mantenimiento o almacenamiento inadecuados.

Para localizar a su proveedor de servicios de Senix más cercano, llame gratis al 800-261-3981 o envíenos un correo electrónico a service@senixtools.com.

Limitaciones adicionales

Cualquier garantía implícita otorgada en virtud de las leyes estatales, incluidas las garantías de comerciabilidad o idoneidad para un propósito particular, se limita a tres años a partir de la fecha de compra para herramientas eléctricas y cargadores y siete años para baterías. El fabricante no asume ninguna responsabilidad por daños directos, indirectos, incidentales o consecuentes. Algunos estados y provincias no permiten limitaciones en cuanto a la duración de una garantía implícita o no permiten la exclusión o limitación de daños incidentales, por lo que es posible que las limitaciones y exclusiones anteriores no se apliquen a usted. Esta garantía le otorga derechos legales específicos, y usted también puede tener otros derechos que varían de un estado a otro o de una provincia a otra.

YAT USA no asume ninguna responsabilidad con respecto a la responsabilidad civil que emane de un uso abusivo o no conforme al uso y mantenimiento adecuados de la máquina, descritos en el manual del operador.

YAT USA no asume ninguna responsabilidad por daños directos, indirectos, incidentales o consecuentes.

Después de la compra, el fabricante recomienda el mantenimiento adecuado de la máquina y leer el manual del operador antes de utilizar la máquina.

*Se puede exigir un recibo de compra original como justificante de compra

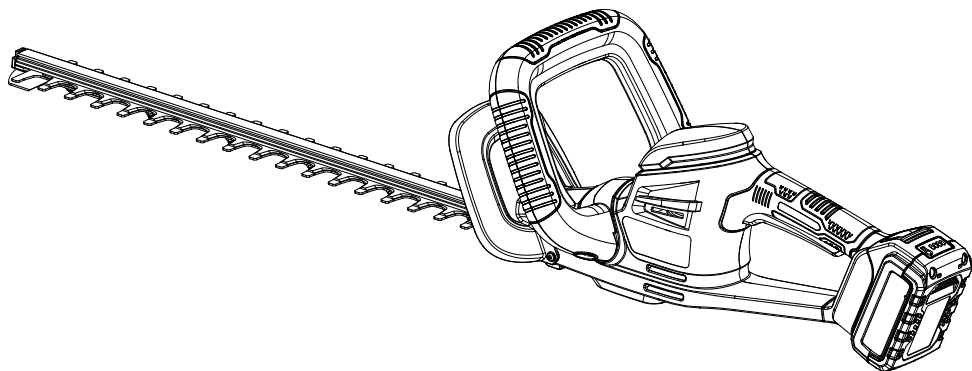
Para acceder al servicio de atención al cliente, póngase en contacto con nosotros llamando al número gratuito 1-800-261-3981 o visitando Senixtools.com.

YAT USA, Inc. 6441 Hendry Rd. Suite A Charlotte, NC. 28269



20 V MAX LITHIUM-ION TAILLE-HAIE SANS FIL

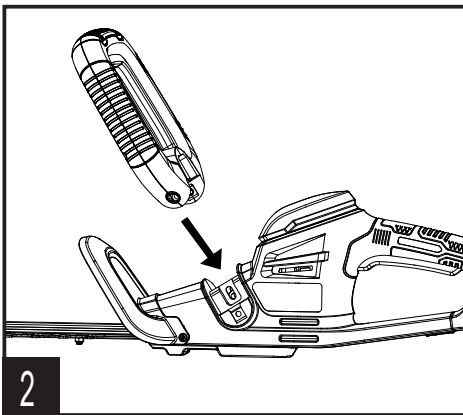
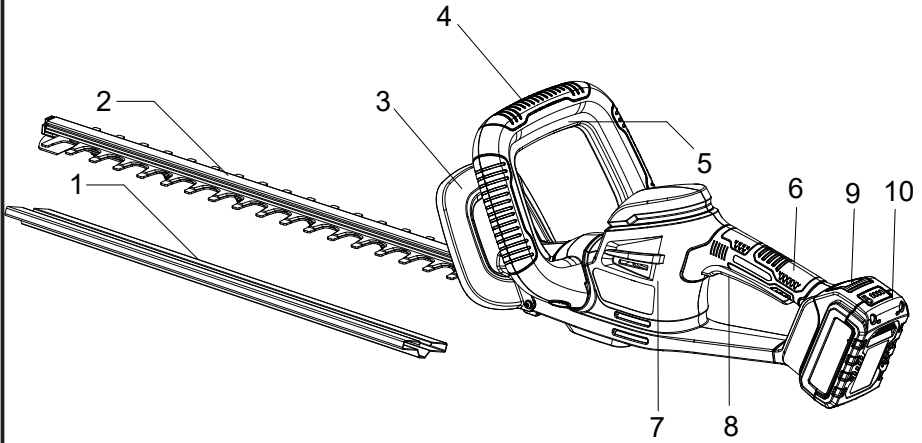
Manuel de l'utilisateur
Modèle : HTX2-M
HTX2-M-0



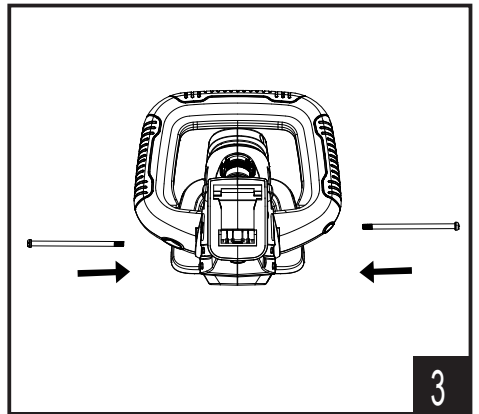
Pour obtenir une assistance à la clientèle, veuillez appeler le 1-800-261-3981 ou envoyer un e-mail à :
Service@senixtools.com
CONSERVEZ CE MANUEL POUR TOUTE CONSULTATION ULTÉRIEURE.

INSTRUCTIONS ORIGINALES

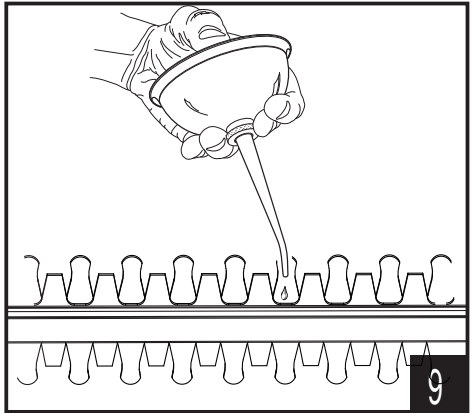
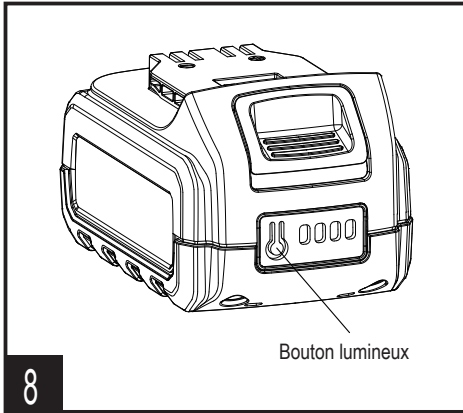
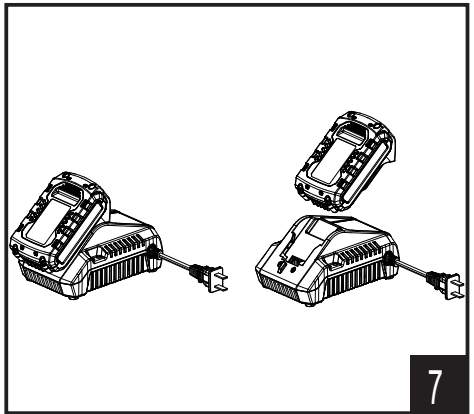
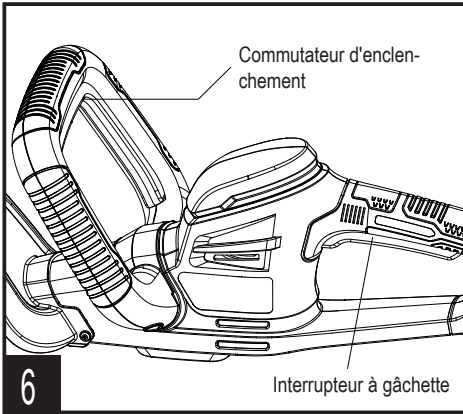
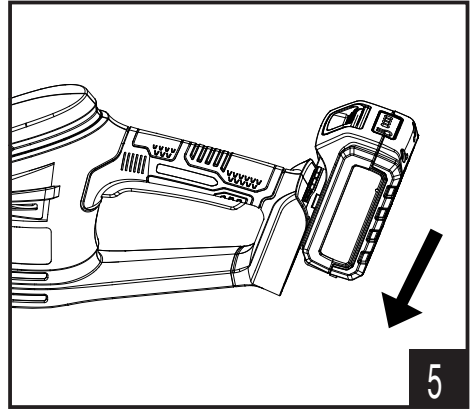
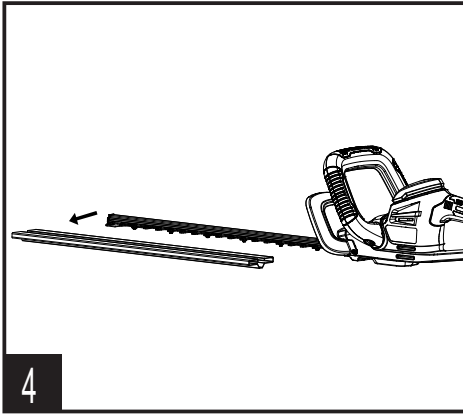
1



2



3



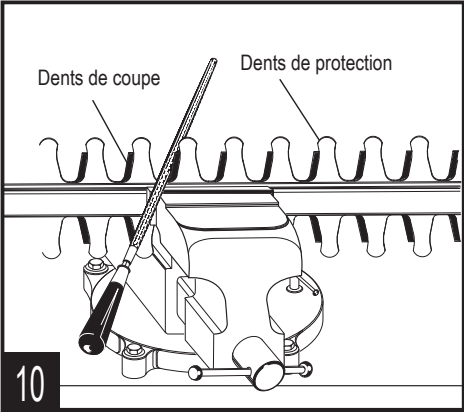


TABLE DES MATIÈRES

SÉCURITÉ ET SYMBOLES INTERNATIONAUX.....	49
INSTRUCTIONS DE SÉCURITÉ	50
DESCRIPTION DE VOTRE APPAREIL.....	60
SPÉCIFICATIONS*	60
ASSEMBLAGE	61
FONCTIONNEMENT.....	61
ENTRETIEN	64
GUIDE DE DÉPANNAGE.....	66
GARANTIE	67

SÉCURITÉ ET SYMBOLES INTERNATIONAUX

L'explication des symboles de sécurité et internationaux décrit les symboles et pictogrammes de sécurité et internationaux susceptibles d'apparaître sur ce produit. Lisez le manuel de l'utilisateur pour obtenir des informations complètes sur la sécurité, l'assemblage, le fonctionnement, l'entretien et les réparations.



Attention / Avertissement.



Pour réduire le risque de blessures, l'utilisateur doit lire le manuel d'instructions.



Portez des lunettes de protection.



Portez une protection de la tête.



Danger - Gardez les mains et les pieds éloignés de la lame.



Ne pas utiliser sous la pluie ou dans des conditions humides.



Portez des chaussures de sécurité.



Portez des gants de protection.



Ne jetez pas les blocs-batteries dans les rivières ni immerger dans l'eau.



Ne jetez pas les blocs-batteries au feu. Ils exploseront et causeront des blessures.



Utilisez et rangez la batterie à une température inférieure à 50 °C (122°F).



Ne démontez pas la batterie, ne l'écrasez pas, ne la chauffez pas à une température supérieure à 212°F (100°C) ; n'exposez jamais la batterie aux micro-ondes ou à des pressions élevées.



Gardez les passants à une distance sécuritaire de la zone de travail.



Cet appareil est conçu pour un usage en intérieur uniquement. Utilisez uniquement le chargeur de batterie à l'intérieur.

INSTRUCTIONS DE SÉCURITÉ

Tous les opérateurs doivent lire ces

instructions avant l'utilisation.

Conformez-vous toujours aux règles élémentaires de sécurité. Faute de quoi, vous vous exposeriez à des blessures graves voire mortelles.

! DANGER !

Cela indique une situation dangereuse qui, si elle n'est pas suivie, entraînera des blessures graves ou la mort.

! AVERTISSEMENT !

Cela indique une situation dangereuse qui, si elle n'est pas suivie, pourrait entraîner des blessures graves ou la mort.

! ATTENTION !

Cela indique une situation dangereuse qui, si elle n'est pas suivie, pourrait entraîner des blessures mineures ou modérées.

CONSIGNES DE SÉCURITÉ GÉNÉRALES POUR UTILISER L'OUTIL ÉLECTRIQUE

! AVERTISSEMENT !

Lisez tous les avertissements de sécurité et toutes les instructions. Le non-respect des consignes de sécurité et des instruc-

tions peut être à l'origine d'électrocutions, d'incendies et/ou de blessures graves.

Conservez tous les avertissements et les instructions pour pouvoir vous y référer ultérieurement.

Le terme «outil électrique» dans les avertissements fait référence à votre outil électrique fonctionnant sur secteur (filaire) ou à batterie (sans fil).

1) Sécurité de la zone de travail

- a. Gardez l'aire de travail propre et bien éclairée — Les zones encombrées ou sombres invitent les accidents.
- b. N'utilisez pas d'outils électriques dans des atmosphères explosives, par exemple en présence de liquides, de gaz ou de poussières inflammables - Les outils électriques créent des étincelles qui peuvent enflammer la poussière ou les fumées.
- c. Gardez les enfants et les spectateurs à l'écart lorsque vous utilisez un outil électrique — Les distractions peuvent vous faire perdre le contrôle.

2) Sécurité électrique

- a. La fiche de l'outil électrique doit être adaptée à la prise de cou-

rant. Ne modifiez jamais la fiche de quelque façon que ce soit. N'utilisez pas d'adaptateurs avec des outils électriques nécessitant une mise à terre. Les prises non modifiées et les prises électriques appropriées réduisent le risque de choc électrique.

- b. Évitez le contact du corps avec des surfaces mises à la terre ou mises à la masse, comme les tuyaux, les radiateurs, les cuisinières et les réfrigérateurs — Il y a un risque accru de choc électrique si votre corps est mis à la terre ou mis à la masse.
- c. N'exposez pas les outils électriques à la pluie ou à l'humidité - L'eau qui pénètre dans un outil électrique augmente le risque de choc électrique.
- d. Prenez soin du câble d'alimentation. N'utilisez jamais le câble d'alimentation pour porter, tirer ou débrancher l'outil électrique. Maintenez le câble d'alimentation éloigné de la chaleur, de l'huile, des arêtes tranchantes ou des pièces mobiles. Le risque d'électrocution augmente si le câble d'alimentation est endommagé ou emmêlé.
- e. Quand vous utilisez un outil électrique en extérieur, utilisez une

rallonge électrique adaptée à une utilisation en extérieur. L'utilisation d'une rallonge conçue pour un usage en extérieur réduit le risque de choc électrique.

3) Sécurité personnelle

- a. Restez vigilant(e), soyez attentif(ve) à ce que vous faites et faites preuve de bon sens lors de l'utilisation d'un outil électrique. N'utilisez pas un outil électrique lorsque vous êtes fatigué(e) ou sous l'influence de drogues, d'alcool ou de médicaments - Un moment d'inattention lors de l'utilisation d'outils électriques peut entraîner des blessures graves.
- b. Utilisez des équipements de sécurité. Portez toujours une protection oculaire - Les équipements de sécurité tels que le masque anti-poussière, les chaussures de sécurité antidérapantes, le casque de chantier ou les protections auditives utilisés dans des conditions appropriées réduiront les blessures corporelles.
- c. Évitez les démarrages accidentels. Assurez-vous que l'interrupteur est en position d'arrêt avant de le brancher — Transporter des outils électriques avec le

doigt sur l'interrupteur ou brancher des outils électriques sur lesquels l'interrupteur est allumé invite les accidents.

- d. Retirez toute clé de réglage ou clé à molette avant de mettre l'outil électrique sous tension - Une clé à molette ou une clé laissée attachée à une partie rotative de l'outil électrique peut entraîner des blessures corporelles.
- e. Ne tentez pas d'atteindre des endroits éloignés de votre corps. Gardez un pied ferme et un équilibre stable à tout moment - Cela permet de mieux contrôler l'outil électrique dans des situations inattendues.
- f. Portez une tenue adaptée. Ne portez pas de vêtement ample ni de bijou. Gardez vos cheveux, vos vêtements et vos gants à l'écart des pièces mobiles - Les vêtements amples, les bijoux ou les cheveux longs peuvent être happés par les pièces mobiles.
- g. Si des dispositifs sont prévus pour le raccordement des installations d'extraction et de collecte de poussières, assurez-vous qu'ils sont branchés et utilisés correctement — L'utilisation d'un système de récupération des

poussières peut réduire les dangers liés à la poussière.

4) Utilisation et entretien des outils électriques

- a. Ne forcez pas sur l'outil électrique. Utilisez l'outil électrique correct pour votre application - L'outil électrique correct fera le travail mieux et de manière plus sûre au rythme pour lequel il a été conçu.
- b. N'utilisez pas l'outil électrique si l'interrupteur ne permet pas de le mettre en marche et de l'arrêter - Tout outil électrique qui ne peut pas être contrôlé à l'aide de l'interrupteur est dangereux et doit être réparé.
- c. Débranchez le bloc-piles de l'outil électrique avant d'effectuer tout réglage, de changer d'accessoire ou de ranger l'outil électrique - Ces mesures de sécurité préventives réduisent le risque de démarrage accidentel de l'outil électrique.
- d. Rangez les outils électriques non utilisés hors de portée des enfants et ne laissez pas les personnes qui ne connaissent pas l'outil électrique ou ces instructions utiliser l'outil électrique - Les outils électriques sont dan-

gereux entre les mains d'utilisateurs non formés.

- e. Entretenez les outils électriques. Vérifiez l'alignement et le mouvement des pièces mobiles, si des pièces sont cassées, et toute autre condition qui pourrait affecter l'utilisation de l'outil électrique. S'il est endommagé, faites réparer l'outil électrique avant de l'utiliser - De nombreux accidents sont causés par des outils électriques mal entretenus.
- f. Maintenez les outils de coupe affûtés et propres - Des outils de coupe correctement entretenus et aux tranchants affûtés sont moins susceptibles de se coincer et sont plus faciles à contrôler.
- g. Utilisez l'outil électrique, les accessoires et les embouts, etc., conformément à ces instructions et de la manière prévue pour le type particulier d'outil électrique, en tenant compte des conditions de travail et du travail à effectuer - L'utilisation de l'outil électrique pour des opérations différentes de celles prévues peut entraîner une situation dangereuse.

5) Utilisation et entretien de l'outil électrique

- a. Rechargez uniquement avec le

chargeur spécifié par le fabricant. Un chargeur adapté à un type de batterie peut créer un risque d'incendie lorsqu'il est utilisé avec une autre batterie.

- b. N'utilisez les outils électriques qu'avec les blocs de batteries spécifiquement désignés. L'utilisation de toute autre batterie peut créer un risque de blessures et d'incendie.
- c. Lorsque la batterie n'est pas utilisée, elle doit être rangée loin de tout objet métallique, tel que trombone, pièce de monnaie, clef, clou, vis et tout autre petit objet métallique qui risquerait de mettre en contact ses bornes. La mise en court-circuit des bornes de la batterie peut provoquer des brûlures ou un incendie.
- d. Dans des conditions abusives, un liquide peut être éjecté de la batterie ; évitez tout contact. En cas de contact accidentel, rincez à grande eau. En cas de contact avec les yeux, vous devez en outre consulter un médecin. Le liquide éjecté de la batterie peut provoquer des irritations ou des brûlures.

6) Réparations

- a. Faites réparer votre outil élec-

trique par un réparateur qualifié n'utilisant que des pièces de rechange identiques. Cela garantira le maintien de la sécurité de l'outil électrique.

AVERTISSEMENTS POUR TOUS LES APPAREILS FONCTIONNANT SUR BATTERIE

- a. Évitez tout démarrage accidentel. Assurez-vous que l'interrupteur d'alimentation est en position d'arrêt avant de brancher le bloc-piles, de ramasser ou de transporter l'appareil. Le transport de l'appareil avec le doigt sur l'interrupteur d'alimentation ou la mise sous tension de l'appareil dont l'interrupteur d'alimentation est en marche sont propices aux accidents.
- b. Assurez-vous que l'interrupteur d'alimentation est éteint et que le bloc-piles est retiré avant de dégager le matériel coincé, d'effectuer des réglages, de changer les accessoires, de ranger ou de réparer l'appareil. Un actionnement inattendu de l'appareil lors du déblocage de matériaux coincés ou de l'entretien peut entraîner des blessures graves.
- c. Rechargez uniquement avec le chargeur spécifié par le fabricant. Un chargeur adapté à un type de batterie peut créer un risque d'incendie lorsqu'il est utilisé avec une autre batterie.
- d. N'utilisez les outils électriques qu'avec les blocs de batteries spécifiquement désignés. L'utilisation de toute autre batterie peut créer un risque de blessures et d'incendie.
- e. Lorsque la batterie n'est pas utilisée, elle doit être rangée loin de tout objet métallique, tel que trombone, pièce de monnaie, clef, clou, vis et tout autre petit objet métallique qui risquerait de mettre en contact ses bornes. La mise en court-circuit des bornes de la batterie peut provoquer des brûlures ou un incendie.
- f. Dans des conditions abusives, un liquide peut être éjecté de la batterie ; évitez tout contact. En cas de contact accidentel, rincez à grande eau. En cas de contact avec les yeux, vous devez en outre consulter un médecin. Le liquide éjecté de la batterie peut provoquer des irritations ou des brûlures. (Ces conseils sont considérés comme corrects pour les types de cellules classiques NiMH, NiCd, plomb-acide et lithium-ion. Si ce conseil est

- incorrect pour une conception de cellule qui diffère de celles-ci, alors le conseil correct peut être substitué).
- g. N'utilisez pas un bloc-piles ou un outil endommagé ou modifié. Les batteries endommagées ou modifiées peuvent présenter un comportement imprévisible entraînant un incendie, une explosion ou un risque de blessure.
 - h. N'exposez pas un bloc-piles ou un outil au feu ou à une température excessive. L'exposition au feu ou à une température supérieure à 130°C peut provoquer une explosion. La température de 130°C peut être remplacée par une température de 265°F.
 - i. Suivez toutes les instructions de charge et ne chargez pas le bloc-piles ou l'outil en dehors de la plage de température spécifiée dans les instructions. Une charge inadéquate ou à des températures hors de la plage spécifiée peut endommager la batterie et augmenter le risque d'incendie.
 - j. Faire effectuer l'entretien par un réparateur qualifié en utilisant uniquement des pièces de rechange identiques. Cela permettra de garantir le maintien de la sécurité du produit.
 - k. Ne modifiez pas et n'essayez pas de réparer l'appareil ou le bloc-piles (le cas échéant), sauf si cela est indiqué dans les instructions d'utilisation et d'entretien.

RÈGLES DE SÉCURITÉ SUPPLÉMENTAIRES POUR LES TAILLE-HAIES

- a. Utilisez les deux mains lorsque vous utilisez le taille-haie. L'utilisation d'une seule main pourrait provoquer une perte de contrôle et entraîner des blessures graves.
- b. Aucune partie du corps ne doit s'approcher de la lame de coupe. N'essayez pas de retirer du matériau coupé ni de tenir le matériau à couper quand les lames sont en mouvement. Assurez-vous que l'interrupteur est éteint lorsque vous retirez un matériau coincé dans le produit. Un simple moment d'inattention lors de l'utilisation du taille-haie peut entraîner de graves blessures corporelles.
- c. Attendez l'arrêt complet du taille-haie avant de transporter l'appareil; tenez-le toujours par sa poignée. Lors du transport ou du

- stockage du taille-haie, mettez toujours le couvercle du dispositif de coupe. Une manipulation correcte du taille-haie permet de réduire les risques de blessures corporelles avec la lame.
- d. Tenez toujours l'appareil par ses poignées isolantes : la lame peut à tout moment entrer en contact avec un fil électrique caché ou son propre cordon. Si l'accessoire de coupe entre en contact avec un câble électrique « sous tension », les parties métalliques non carénées de l'outil électrique peuvent se retrouver « sous tension » et l'opérateur risque de subir un choc électrique.
 - e. Veillez à ce que le câble reste à l'écart de la zone de coupe. Pendant le fonctionnement, le câble peut être caché dans des arbustes et peut être accidentellement coupé par la lame.
 - f. Retirez toute lame qui a été endommagée. Avant chaque utilisation, assurez-vous que la lame est correctement installée et solidement fixée. Le non-respect de cette consigne peut entraîner des blessures graves.
 - g. L'entretien du produit doit être effectué par du personnel de réparation qualifié uniquement.
- Tout service ou entretien effectué par un personnel non qualifié peut entraîner des blessures pour l'utilisateur ou endommager le produit.
- h. Conservez toujours un bon équilibre et des appuis stables. Sur les pentes, soyez toujours sûr de vos appuis. Lors de l'utilisation de l'outil, marchez sans jamais courir.
 - i. Ne touchez pas les pièces dangereuses en mouvement avant que le bloc-piles ne soit retiré et que les pièces dangereuses en mouvement ne se soient complètement arrêtées.
 - j. N'utilisez pas la machine par mauvais temps, surtout s'il y a un risque de foudre.
 - k. Inspectez la zone à couper et enlevez tout corps étranger susceptible de gêner votre coupe. Si les objets étrangers ne peuvent pas être enlevés, par exemple des clôtures en fil de fer, veuillez les marquer et vous en souvenir pour éviter de les coincer pendant la coupe.
 - l. Assurez-vous que le taille-haie est correctement placé dans une position de travail désignée avant de démarrer le moteur.
 - m. Veillez toujours à ce que les

bouches d'aération soient exemptes de débris.

n. Si l'accessoire de coupe heurte un corps étranger ou si le produit commence à émettre un bruit ou une vibration inhabituels, éteignez le produit, retirez la batterie, laissez le produit s'arrêter et prenez les mesures suivantes :

- Vérifiez s'il y a des dommages
- Vérifiez et serrez toutes les pièces desserrées.
- Faites remplacer ou réparer les pièces endommagées par des pièces aux spécifications équivalentes.

o. Ne laissez jamais des personnes non familiarisées avec ces instructions ou des enfants utiliser le produit. Les réglementations locales peuvent restreindre l'âge de l'opérateur.

p. N'oubliez pas que l'opérateur ou l'utilisateur est responsable des accidents ou des risques encourus par d'autres personnes ou par leurs biens.

CONSIGNES DE SÉCURITÉ CONCERNANT LA BATTERIE

- Assurez-vous que l'interrupteur est en position d'arrêt avant d'insérer le bloc-piles. L'insertion de

la batterie dans un outil qui a un interrupteur peut provoquer des accidents.

- N'utilisez que des batteries d'origine spécialement conçues pour cette machine. L'utilisation de toute autre batterie peut créer un risque de blessures et d'incendie.
- N'ouvrez pas la batterie. Danger de court-circuit.
- Protégez la batterie contre la chaleur (par exemple, contre les rayons intenses du soleil et le feu), l'eau et l'humidité. Risque d'explosion.
- En cas de dommage et d'utilisation incorrecte de la batterie, des vapeurs peuvent être émises. Ventilez la zone et consultez un médecin en cas de gêne. Les vapeurs peuvent irriter le système respiratoire.
- Utilisez la batterie uniquement avec ce produit et / ou la même famille de produits. Cette mesure seule protège la batterie contre les surcharges dangereuses.
- La batterie peut être endommagée par des objets pointus tels que des clous ou des tournevis ou par une force appliquée de l'extérieur. Un court-circuit interne peut se produire et la bat-

terie peut brûler, fumer, exploser ou surchauffer.

- Ne provoquez pas de court-circuit sur la batterie. Cela pourrait causer un risque d'explosion.
- Stockez et utilisez la batterie uniquement dans une plage de température comprise entre - 4 °F (- 20 °C) et 77 °F (25 °C). Par exemple, ne laissez pas la batterie dans la voiture en été.
- Nettoyez de temps en temps les fentes d'aération et les broches de contact de la batterie à l'aide d'une brosse douce, propre et sèche.

CONSIGNES DE SÉCURITÉ CONCERNANT LE CHARGEUR DE BATTERIE

Lisez toutes les instructions de sécurité et de fonctionnement avant d'utiliser le chargeur. Cet appareil est conçu pour un usage en intérieur uniquement.

- Cet appareil n'est pas destiné à être utilisé par des enfants et des personnes ayant des limitations physiques, sensorielles ou mentales ou manquant d'expérience ou de connaissances. Cet appareil peut être utilisé par des enfants de plus de 8 ans et par des personnes dont les capaci-

tés physiques, sensorielles ou mentales sont réduites, ou des personnes dénuées d'expérience ou de connaissance, si elles ont pu bénéficier, par l'intermédiaire d'une personne responsable de leur sécurité, d'une surveillance ou d'instructions préalables concernant l'utilisation de l'appareil. Les enfants ne doivent pas jouer avec cet appareil. Le nettoyage et l'entretien par l'utilisateur ne doivent pas être effectués par des enfants sans supervision.

- Le câble d'alimentation ne peut pas être remplacé. Si le câble est endommagé, il convient de mettre l'appareil au rebut.
- Rechargez uniquement le bloc-batterie lithium-ion comme mentionné dans le présent manuel d'instructions. Les piles non rechargeables ne doivent pas être rechargées.
- La batterie et le chargeur doivent être placés dans un endroit bien ventilé.
- Si le câble d'alimentation est endommagé, il doit être remplacé par le fabricant, par un de ses représentants ou par une personne de qualification similaire afin d'éviter tout accident.
- N'utilisez pas le chargeur de bat-

terie sur des surfaces facilement inflammables (par exemple, du papier, des textiles, etc.) ou à proximité. Le chauffage du chargeur de batterie pendant le processus de charge peut présenter un risque d'incendie.

- Ne couvrez pas les fentes de ventilation du chargeur de batterie. Sinon, le chargeur de batterie pourrait surchauffer et ne plus fonctionner correctement.

VIBRATIONS ET RÉDUCTION DU BRUIT

Afin de réduire l'impact des émissions sonores et vibratoires, limitez la durée d'utilisation, utilisez des modes à basses vibrations et à faibles bruits et portez des équipements de protection individuelle. Prenez en compte les facteurs suivants afin de minimiser l'exposition aux bruits et aux vibrations:

- Utilisez l'outil exclusivement tel que prévu par sa conception et ces instructions.
- Veillez à ce que le produit soit en bon état et bien entretenu.
- Utilisez des accessoires adéquats avec cet outil et veillez à ce qu'ils soient en bon état.
- Tenez fermement les poignées/surfaces de préhension.

- Entretenez cet outil conformément aux présentes instructions et maintenez-le bien lubrifié (si applicable).
- Planifiez votre travail avec un outil générant de fortes vibrations de façon à en étaler l'utilisation sur une longue période.

URGENCE

À l'aide du présent mode d'emploi, familiarisez-vous avec l'utilisation de cet appareil. Mémorisez les consignes de sécurité et suivez-les à la lettre. Cela vous permettra de prévenir les risques et les dangers.

- Soyez toujours vigilant(e) lorsque vous utilisez ce produit, afin de pouvoir reconnaître et traiter les risques à temps. Une intervention rapide peut permettre d'éviter des blessures graves et des dommages matériels.
- Éteignez le produit et retirez le bloc-batterie en cas de mauvais fonctionnement. Faites examiner l'outil par un professionnel qualifié et faites-le réparer si nécessaire, avant de le réutiliser.

DESCRIPTION DE VOTRE AP-PAREIL

APPLICATIONS

Modèle : HTX2-M

En tant que taille-haie :

Couper et tailler des haies et des buissons à usage domestique.

1	Couvercle de lame
2	Lame de coupe
3	Carter
4	Poignée avant
5	Commutateur d'enclenchement
6	Poignée
7	Boîtier
8	Interrupteur à gâchette
9	Bouton de déverrouillage de la batterie
10	Batterie



REMARQUE :

HTX2-M-0 ne comprend pas le chargeur ni le bloc-batterie.

SPÉCIFICATIONS*

Modèle	HTX2-M	
Tension nominale	18 V CC	
Vitesse à vide	2600 tr/min	
Longueur de coupe	18 pouces	
Espace dentaire	1,1 pouces	
Capacité de coupe	0,8 pouce	
Poids (sans batterie)	5,51 livres	
Modèle de batterie pour l'option	B25X2	B50X2
Tension nominale	18 V	18 V
Capacité nominale	2,5 Ah	5,0 Ah
Poids	0,74 livre	1,43 livres
Modèle de chargeur	CHX2	
Entrée nominale	100-240 V ~ 50/60 Hz	
Sortie nominale	21 V, 2000 mA	
Temps de charge (avec batterie de 2,5 Ah)	85 minutes	
Temps de charge (avec batterie de 5,0 Ah)	130 minutes	
classe de protection (pour chargeur)	/ II	
Poids	0,75 livre	

Modèle	HTX2-M-0
Tension nominale	18 V CC
Vitesse à vide	2600 tr/min
Longueur de coupe	18 pouces
Espace dentaire	1,1 pouces
Capacité de coupe	0,8 pouce
Poids (sans batterie)	5,51 livres
Modèle de batterie	Non inclus
Modèle de chargeur	Non inclus

ASSEMBLAGE

1. Déballez toutes les pièces et posez-les sur une surface plane et stable.
2. Retirez tous les matériaux d'emballage et les dispositifs d'expédition, le cas échéant.
3. L'étendue de la livraison varie en fonction du pays et de la variante achetée :
Modèle de HTX2-M-0.
 - Taille-haie x 1
 - Couvercle de lame x 1
 - Vis x 2
 - Poignée avant x 1
 - Manuel d'instructions x 1
4. Si vous constatez que des pièces sont manquantes ou présentent des dommages, n'utilisez pas le produit mais contactez votre revendeur. L'utilisation d'un produit incomplet ou endommagé représente un danger pour les personnes et les biens.
5. Assurez-vous que vous disposez de tous les accessoires et outils nécessaires à l'assemblage et à l'utilisation. Cela comprend également un équipement de protection individuelle approprié.



REMARQUE :

HTX2-M comprend le chargeur et la batterie.
HTX2-M-0 ne comprend pas le chargeur ni la batterie.



AVERTISSEMENT :



Portez des gants de protection pour ce travail d'assemblage et posez toujours le produit sur une surface plane et stable lors de l'assemblage.



Suivez les instructions de montage étape par étape et utilisez les images fournies comme guide visuel pour assembler facilement le produit !

N'insérez pas la batterie avant que l'outil électrique ne soit complètement assemblé ou réglé !

ASSEMBLAGE DE LA POIGNÉE AVANT



AVERTISSEMENT :

Pour éviter des blessures graves et des dommages matériels, mettez l'appareil hors tension avant de retirer ou d'installer un accessoire.

1. Alignez et insérez la poignée avant (schéma 2).
2. Fixez la poignée avant à l'aide de deux vis (schéma 3).
3. Vérifiez que la poignée est bien en place en cas de blessure.

RETRAIT DU COUVERCLE DE LA LAME

Retirez le couvercle de la lame avant d'allumer la machine (schéma 4).

Il est recommandé de couvrir la lame lorsque votre travail est terminé.

INSTALLATION / RETRAIT DE LA BATTERIE



AVERTISSEMENT :

Assurez-vous que la batterie s'enclenche en place.

Le fait de ne pas installer correctement la batterie peut entraîner sa chute, entraînant des blessures graves.

Pour installer la batterie :

Alignez et faites glisser la batterie dans les fentes du port d'accueil de la batterie jusqu'à ce qu'elle se verrouille en place (schéma 5).

Pour la retirer :

Appuyez sur le bouton de déverrouillage de la batterie et retirez la batterie du produit.

FONCTIONNEMENT



AVERTISSEMENT :

Portez toujours une protection pour les yeux, les oreilles, les mains, les pieds et le corps afin de réduire les risques de blessures lors de l'utilisation de cet appareil. Veillez à maintenir toutes les parties de votre corps éloignées du mécanisme de coupe et des surfaces chaudes.

MISE EN MARCHÉ / ARRÊT

Tenez le produit comme s'il était en état de marche.

Pour mettre le produit en marche, appuyez en même temps sur la gâchette de l'interrupteur et sur l'interrupteur de verrouillage de la poignée avant.

Pour éteindre le produit, relâchez le déclencheur de l'interrupteur ou l'interrupteur de verrouillage (schéma 6).



REMARQUE :

Pour des raisons de sécurité, l'interrupteur d'enclenchement et la gâchette de l'interrupteur doivent rester enfoncés pendant toute la durée de l'opération.

GÉNÉRALITÉS



AVERTISSEMENT :

Lubrifiez toujours la lame de coupe avec un spray protecteur avant l'utilisation et le stockage.

1. Vérifiez que toutes les pièces sont correctement fixées.
2. Vérifiez que le produit ainsi que les accessoires ne sont pas endommagés avant chaque utilisation. N'utilisez pas le produit s'il est endommagé ou s'il présente une usure.
3. Veillez à ce que les bouches d'aération soient toujours dégagées et non obstruées. Nettoyez-les si nécessaire avec une brosse douce. Des bouches d'aération obstruées peuvent entraîner une surchauffe et endommager le produit.
4. Portez des protections oculaires, auditives, des mains, des pieds et du corps.
5. Tenez toujours le produit par ses poignées. Gardez les poignées sèches et exemptes de lubrifiant pour garantir une tenue sûre.
6. Gardez votre corps et vos pieds à une distance de sécurité de la tête de coupe.
7. Inspectez la zone à couper et enlevez tout corps étranger susceptible de gêner votre coupe. Si les objets étrangers ne peuvent pas être enlevés, par exemple des clôtures en fil de fer, veuillez les marquer et vous en souvenir pour éviter de les coincer pendant la coupe.
8. Faites tourner la machine à la vitesse maximale avant de couper.
9. Arrêtez immédiatement le produit si vous êtes dérangé pendant le travail par d'autres personnes entrant dans la zone de travail. Laissez toujours le produit s'arrêter complètement avant de le poser.
10. Ne vous surmenez pas. Faites des pauses régulières pour vous concentrer sur le travail et avoir un contrôle total du produit.



REMARQUE :

Dans certains pays, les règlements définissent à quel moment de la journée et quels jours spéciaux les produits peuvent être utilisés et quelles restrictions s'appliquent ! Demandez à votre collectivité des renseignements détaillés

et respectez les réglementations afin de préserver la tranquillité du voisinage et d'éviter de commettre des infractions administratives.

CONSEILS DE COUPE



AVERTISSEMENT :

Ne coupez jamais à proximité de cordons ou de lignes électriques. Si la lame se coince sur un cordon ou une ligne électrique, NE TOUCHEZ PAS LA LAME ! ELLE PEUT DEVENIR SOUS TENSION ÉLECTRIQUE ET ÊTRE TRÈS DANGEREUSE. Continuez à tenir la taille-haie par la poignée arrière isolée ou déposez-la et éloignez-vous en toute sécurité. Débranchez l'alimentation électrique de la ligne ou du cordon endommagé avant de tenter de libérer la lame de la ligne ou du cordon. Tout contact avec la lame, d'autres parties conductrices du taille-haie ou des cordons ou lignes électriques sous tension peut entraîner la mort par électrocution ou des blessures graves.

- Dégagez la zone à couper avant chaque utilisation. Retirez tous les objets tels que les cordons, les lampes, les fils ou les ficelles libres qui peuvent s'emmêler dans la lame de coupe et créer un risque de blessure grave.
- Avant de mettre le taille-haie en marche, tenez l'appareil à deux mains, les lames de coupe dirigées vers l'extérieur. Utilisez toujours la taille-haie correctement.
- Ne forcez pas le taille-haie à travers des arbustes épais. Cela peut entraîner la liaison et le ralentissement des lames. Si les lames ralentissent, réduisez la cadence.
- N'essayez pas de couper des tiges ou des brindilles dont l'épaisseur dépasse 3/4 de pouce, ou celles qui sont manifestement trop grosses pour être introduites dans la lame de coupe. Utilisez une scie à main non motorisée ou une scie d'élagage pour couper les grosses tiges.
- Si les lames se coincent, arrêtez le produit, laissez les lames s'arrêter et retirez le bloc-piles avant de tenter de retirer l'obstruction.
- Si vous le souhaitez, vous pouvez utiliser une corde pour vous aider à couper votre haie à niveau. Décidez de la hauteur de la haie que vous souhaitez obtenir.
- Ensuite, tendez un morceau de ficelle le long de la haie à cette hauteur. Taillez la haie juste au-dessus de cette ligne de guidage. Taillez le côté d'une haie de manière

à ce qu'elle soit légèrement plus étroite en haut. Une plus grande partie de la haie sera exposée lorsqu'elle est taillée de cette façon, et elle sera plus uniforme.

- Tenez toujours la taille-haie à deux mains lorsque vous l'utilisez. Utilisez une prise ferme sur les poignées. Ne tenez jamais les arbustes d'une main et utiliser le taille-haie de l'autre. Une utilisation incorrecte du taille-haie pourrait entraîner des blessures graves. L'appareil permet de couper dans un sens ou dans l'autre, en effectuant un balayage lent, d'un côté à l'autre.
- Portez des gants pour tailler les plantes épineuses ou piquantes. Lors de la coupe de nouvelles pousses, effectuez un large mouvement de balayage, de sorte que les tiges soient directement introduites dans la lame de coupe. Les pousses plus anciennes ont des tiges plus épaisses et il est plus facile de les tailler en utilisant un mouvement de scie.
- Les risques de l'opération peuvent se produire, comme les branches d'arbre pointues peuvent couper la peau de l'utilisateur, la lame de l'appareil peut blesser le corps de l'utilisateur. Portez toujours une protection pour les yeux, les oreilles, les mains, les pieds et le corps afin de réduire les risques de blessures lors de l'utilisation de cet appareil.

COMMENT CHARGER LA BATTERIE



AVERTISSEMENT :

Cette batterie au lithium-ion est expédiée partiellement chargée. Chargez complètement la batterie avant de l'utiliser pour la première fois.



REMARQUE :

Chargez les batteries à une température ambiante comprise entre 32 °F (0 °C) - 104 °F (40 °C).

1. Chargez la batterie au lithium-ion uniquement avec le chargeur approprié.
2. Connectez le chargeur à une source d'alimentation ; l'indicateur lumineux du chargeur devient rouge.
3. Alignez les nervures surélevées de la batterie avec la fente du chargeur.
4. Insérez la batterie dans le chargeur, l'indicateur lumineux du chargeur devient vert et clignote.
5. Le chargeur communiquera avec la batterie pour évaluer le statut de charge de la batterie (schéma 7).
6. Il est complètement chargé lorsque les quatre lumières de la batterie s'allument. Débranchez l'alimentation électrique du chargeur. Retirez la batterie du chargeur.

INDICATEUR DE RECHARGE

Appuyez sur le bouton lumineux (schéma 8) pour vérifier si la batterie doit être rechargée.

Indicateurs lumineux			Statut
Éclairé	Désactivé	Clignotant	
			La batterie est à pleine capacité.
			La batterie est à 75% de sa capacité.
			La batterie a une capacité de 50% et doit être rechargée.
			La batterie a une capacité de 25% et doit être rechargée rapidement.
			La batterie a une capacité inférieure à 5% et doit être rechargée rapidement.



AVERTISSEMENT :

Des dysfonctionnements peuvent survenir lorsque les quatre indicateurs clignotent à tour de rôle.

PROTECTION CONTRE LA SURCHAUFFE

Lorsque l'outil / la batterie est surchauffé, l'outil s'arrête automatiquement. Dans ce cas, laissez refroidir l'outil électrique / la batterie avant de rallumer l'outil.

PROTECTION CONTRE LA SURDÉCHARGE

Lorsque la capacité de la batterie n'est pas suffisante, l'outil s'arrête automatiquement. Dans ce cas, retirez la batterie de l'outil et chargez-la.



AVERTISSEMENT :

Éteignez toujours le produit, retirez la batterie de l'appareil et laissez le produit refroidir avant d'effectuer des travaux de nettoyage et d'entretien ! Portez toujours une protection pour les yeux, les oreilles, les mains, les pieds et le corps afin de réduire les risques de blessures lors de l'utilisation de cet appareil.

N'effectuez les travaux de nettoyage et d'entretien que conformément à ces instructions ! Tous les autres travaux doivent être effectués par un spécialiste qualifié !

Et n'utilisez que des pièces de rechange spécifiées pour le remplacement.

LUBRIFICATION DE LA LAME



AVERTISSEMENT :

Laissez toujours les lames de la taille-haie s'arrêter complètement et retirez le bloc-piles avant de procéder au graissage. Le non-respect de cette consigne peut entraîner un démarrage accidentel et provoquer des blessures graves.

Pour faciliter le fonctionnement et prolonger la durée de vie des lames, lubrifier la lame de la taille-haie avant et après chaque utilisation.

Si vous n'utilisez pas la taille-haie pendant une période prolongée, il est conseillé de lubrifier la lame périodiquement. Arrêtez la taille-haie. Retirez la batterie du produit. Posez la taille-haie sur une surface plane et appliquez de l'huile légère le long du bord de la lame supérieure (schéma 9).

AFFÛTAGE DE LA LAME



AVERTISSEMENT :

Pendant l'entretien, les utilisateurs doivent prendre soin de leur sécurité. Portez toujours une protection pour les yeux, les oreilles, les mains, les pieds et le corps afin de réduire les risques de blessures lors de l'utilisation de cet appareil. Vérifiez que l'appareil fonctionne normalement après l'entretien. En cas de détérioration, effectuez l'entretien conformément à cette instruction !



REMARQUE :

Laissez les lames de la taille-haie s'arrêter complètement dans la position indiquée. Cela permettra de dégager la lime entre les dents de la lame et les dents du carter.

Retirez la batterie de l'appareil en la tirant.

Serrez l'ensemble de la lame dans un étau et limez la surface de coupe exposée de chaque dent de la lame à l'aide d'une lime ronde lisse de 8 po, d'un diamètre de 1/4 po ou 7/32 po. Veillez à conserver l'angle d'origine de la dent lors du limage.

Afin de limer les deux côtés de chaque dent de coupe, vous devez peut-être mettre momentanément la taille-haie en marche jusqu'à ce que le côté opposé des dents soit exposé. Ne faites pas fonctionner la taille-haie lorsqu'il est verrouillé dans l'étau. Assurez-vous que tous les outils d'affûtage ont été retirés avant d'installer la batterie. Retirez la batterie et répétez le processus d'aiguisage pour les dents nouvellement exposées (schéma 10).

NETTOYAGE

Éteignez le produit, retirez la batterie du produit.

Utilisez une petite brosse pour nettoyer l'extérieur de l'appareil. N'utilisez pas de détergents puissants. Les nettoyants ménagers contenant des huiles aromatiques comme le pin et le citron et les solvants tels que le kérosène peuvent endommager le plastique. Essuyez toute humidité avec un chiffon doux.



REMARQUE :

Si la lame de coupe est bloquée par des corps étrangers pendant le fonctionnement, arrêtez le produit, attendez que la lame de coupe s'arrête complètement, retirez les corps étrangers et nettoyez la lame de coupe.

TRANSPORT

- Nettoyez le produit comme décrit ci-dessus.
- Installez le couvercle de la lame pendant le transport.
- Transportez toujours le produit par sa poignée.
- Protégez le produit de tout impact important ou de fortes vibrations pouvant survenir lors du transport dans des véhicules.
- Fixez le produit pour éviter qu'il ne glisse ou ne tombe.

ENTREPOSAGE

- Nettoyez le produit comme décrit ci-dessus.
- Entrez le produit et ses accessoires dans un endroit

sombre, sec, sans gel et bien ventilé.

- Stockez toujours le produit dans un endroit inaccessible aux enfants. La température de stockage idéale se situe entre 10 ° C (50 ° F) et 30 ° C (86 ° F).
- Nous vous recommandons d'utiliser l'emballage d'origine pour le stockage ou de couvrir le produit avec un chiffon ou un boîtier approprié pour le protéger de la poussière.



REMARQUE :

Pour prolonger la durée de vie de la batterie, ne rangez jamais la batterie dans un état complètement déchargé.

Assurez-vous que la batterie est chargée une fois par an ou lorsque l'indicateur LED n'affiche qu'une seule lumière.

MISE AU REBUT

Les déchets ne doivent pas être éliminés avec les déchets ménagers. Recyclez-les là où des installations existent.

Renseignez-vous auprès des autorités locales ou de votre détaillant pour obtenir des conseils en matière de recyclage.

Pendant le fonctionnement, des feuilles ou des branches d'arbre peuvent être coupées par l'appareil, les utilisateurs doivent nettoyer ces objets pour protéger l'environnement.



Les produits électriques ne doivent pas être jetés avec les produits ménagers. Les produits électriques usagés doivent être recueillis séparément et éliminés dans des points de collecte prévus à cette fin. Consultez les autorités locales ou votre revendeur pour obtenir des conseils sur le recyclage.

GUIDE DE DÉPANNAGE

Les dysfonctionnements suspectés sont souvent dus à des causes que les utilisateurs peuvent résoudre eux-mêmes. Par conséquent, vérifiez le produit en utilisant ce paragraphe. Dans la plupart des cas, le problème peut être résolu rapidement.

PROBLÈME	CAUSE POSSIBLE	SOLUTION
Le produit ne démarre pas	La batterie n'est pas correctement fixée	Fixez-la correctement
	La capacité de la batterie est trop faible	Retirez et chargez la batterie
	La batterie est endommagée	Faites vérifier par un électricien spécialiste
	Le déclencheur de l'interrupteur ou l'interrupteur de verrouillage n'est pas réglé en position de marche.	Reportez-vous à la section « MISE EN MARCHÉ ET ARRÊT ».
Le produit n'atteint pas sa pleine puissance	La capacité de la batterie est trop faible	Chargez la batterie
	Les bouches d'aération sont obstruées	Nettoyez les bouches d'aération
Le résultat n'est pas satisfaisant	L'accessoire de coupe est usé	Remplacez-le par un nouveau
Les vibrations ou le bruit sont excessifs	Les boulons / écrous sont desserrés.	Serrez les boulons / écrous
Le produit s'arrête soudainement	La capacité de la batterie est trop faible	Retirez et chargez la batterie
	La batterie est trop chaude	Retirez la batterie et laissez-la refroidir.

GARANTIE

GARANTIE LIMITÉE DE DEUX ANS

Garantie limitée de 2 ans sur tous les équipements et chargeurs d'extérieur alimentés par batterie de la série Senix X2.

Garantie limitée de 2 ans sur toutes les batteries Senix X2. *

Ce produit Senix est garanti **PENDANT DEUX ANS** à compter de la date d'achat d'origine, contre les défauts de matériaux ou de fabrication sur les outils électriques et les chargeurs. Le produit défectueux sera réparé gratuitement.*

Ce produit Senix est garanti **PENDANT DEUX ANS** à compter de la date d'achat d'origine, contre les défauts de matériaux ou de fabrication de la batterie. Le produit défectueux sera réparé gratuitement.*

Cette garantie ne couvre pas l'usure normale des pièces et des composants tels que la chaîne de coupe, la ligne ou les lames, et cette garantie ne couvre pas les frais de transport du produit pour la garantie ou l'entretien.

La garantie est sujette aux deux conditions suivantes :

- La garantie s'applique à l'acheteur original au détail et n'est pas transférable *
- Enregistrement de la garantie sur www.senixtools.com
- L'outil n'a pas été utilisé incorrectement, abusé, négligé, altéré, modifié ou réparé par quiconque d'autre qu'un centre d'entretien autorisé.
- Seuls les accessoires Senix authentiques ont été utilisés avec ou sur ce produit.
- L'outil a été soumis à une usure normale.
- L'outil n'a pas été utilisé à des fins commerciales ou professionnelles
- L'outil n'a pas été utilisé à des fins locatives.
- Cette garantie ne couvre que les défauts résultant d'une utilisation normale et ne couvre pas les dysfonctionnements, défaillances ou défauts résultant d'une utilisation incorrecte, d'un abus (surcharge du produit, exposition à l'eau ou à la pluie), d'une négligence ou d'un défaut d'installation, d'entretien ou de stockage. .

Pour localiser votre fournisseur de services Senix le plus proche, appelez gratuitement le 800-261-3981 ou envoyez-nous un e-mail sur service@senixtools.com.

Limitations supplémentaires

Toute garantie implicite accordée en vertu de la législation en vigueur, y compris les garanties de qualité marchande ou d'adéquation à un usage particulier, est limitée à trois ans à compter de la date d'achat pour les outils électriques et les chargeurs et à sept ans pour les batteries. Le fabricant n'est pas responsable des dommages directs, indirects, accessoires ou consécutifs. Certains états et provinces n'autorisent pas les limitations sur la durée d'une garantie implicite et / ou n'autorisent pas l'exclusion ou la limitation des dommages accessoires, et dans ce cas, les restrictions décrites précédemment ne s'appliquent pas. Cette garantie vous donne des droits légaux spécifiques, et vous pouvez également avoir d'autres droits qui varient d'un état à l'autre ou d'une province à l'autre.

YAT USA décline toute responsabilité en matière de responsabilité civile résultant d'une utilisation abusive ou non conforme à une utilisation et une maintenance correctes de la machine telles que décrites dans le manuel de l'utilisateur.

YAT USA n'est pas responsable des dommages directs, indirects, accessoires ou consécutifs.

Après l'achat, le fabricant recommande un entretien approprié de la machine et de lire le manuel de l'utilisateur avant d'utiliser la machine.

* Un reçu d'achat original peut être exigé comme preuve d'achat.

Pour le service à la clientèle, contactez-nous gratuitement au 1-800-261-3981 ou sur Senixtools.com.

YAT USA, Inc. 6441 Hendry Rd. Suite A Charlotte, NC. 28269

