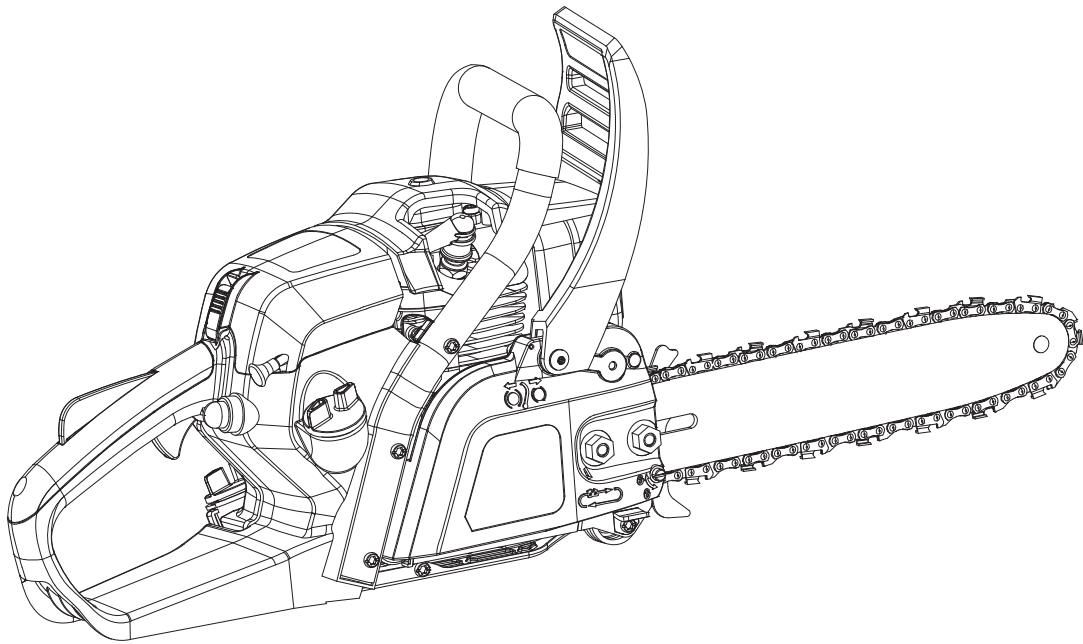




49cc Chain Saw

OPERATOR'S MANUAL

Model:CS4QL-L1



SENIX TOOLS 6441 Hendry Rd. Charlotte, NC. 28269

For customer support please call 1-855-755-4663 or go online at support@senixtools.com

CAUTION: BEFORE USING THIS PRODUCT, READ THIS MANUAL AND FOLLOW ALL ITS SAFETY RULES AND OPERATING INSTRUCTIONS.

• SAFETY & INTERNATIONAL SYMBOLS •

On the product, the rating label and within these instructions you will find among others the following symbols and abbreviations. Familiarize yourself with them to reduce hazards like personal injuries and damage to property.



Caution / Warning.



Choke – CLOSE position



Warning: See/Read instruction manual!



Choke – OPEN position



Wear a safety goggles and hearing protection.



WARNING: Tip contact can cause the chain bar to move suddenly upward and backward, which can cause serious injury.



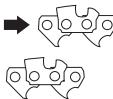
Wear protective gloves.



Push primer bulb, fully and slowly.



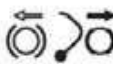
Wear protective, slip-resistant footwear.




Correct direction of cutting-teeth



No open flames in the work area around the product



Chain brake (the  symbol shows the position in which the brake is released)



Do not smoke in the work area, around the product and in the vicinity of flammable materials!



4 stroke engine oil tank



Hot surface, do not touch! High temperatures on the product's surfaces and structural parts that could cause burns, if they are touched. The product can also stay hot for a longer period of time after operation!



Engine fuel tank



Contact of the guide bar tip with any object should be avoided.



Chain lubrication oil tank



Always use the product with two hands. Do not use one hand when operating the product.



Do not mix gas and oil. Use unleaded containing 10% or less ethanol.

TABLE OF CONTENTS

SAFETY WARNINGS.....	3
KNOW YOUR UNIT.....	9
SPECIFICATIONS.....	10
OPERATION	13
MAINTENANCE	21
WARRANTY	25
TROUBLESHOOTING.....	26
PARTS.....	27

SAFETY WARNINGS

Gas powered chain saw safety warnings

1. This product is dangerous if used carelessly or incorrectly and can cause serious or even fatal injuries.
2. Read all instructions carefully. When using gas powered products, always follow stated safety precautions to reduce the risk of serious personal injury and/or damage to the product.
3. The product should only be operated by those who have read and understood all safety and operating instructions in this manual. Local regulations can restrict the age of the operator.
4. Keep your work area free from pets, animals, children and bystanders.
5. Follow instructions for lubricating, chain tensioning and changing accessories. Improperly tensioned or lubricated chain may either break or increase the chance for kickback. It may cause the chain to snap, which could lead to serious or even fatal injuries.
6. Running this product in a confined or badly ventilated area can result in death due to asphyxiation or carbon monoxide poisoning. The product is for outdoor use only.
7. Take extreme care in wet and freezing weather conditions. Do not work in rain, windy or stormy weather.
8. Wear a face and breathing mask. The use of this product can generate exhaust gases, lubrication oil mist and saw dust containing chemicals known to cause respiratory damage.
9. Use safety steel toe capped footwear, sturdy cut retardant snug-fitting protective clothing, protective gloves, eye, hearing and head protection devices.
10. Always visually check the product before use.
11. Do not attempt to tackle any job that you are not adequately trained for.
12. Do not allow other persons to be near when starting or cutting with the product.
Do not operate the product if it has faulty safety equipment or damaged parts!
13. Do not under any circumstances modify the product. Modifications can result in serious personal injury or death.
14. Do not start cutting until you have a clear work area, secure footing, and a planned retreat path from the falling tree.
15. All product servicing & maintenance, other than the items listed in the user manual, safety and maintenance instructions, should be performed by an authorized service center.
16. A first time user should have practical instruction in the use of the product and protective equipment from an experienced operator.
17. National regulation can restrict the use of the product.
18. Do not operate a chain saw with one hand! Serious injury to the operator, helpers, bystanders, or any combination of these persons may result from one-handed operation. A chain saw is intended or two-handed use.

19. Do not operate a chain saw when you are fatigued.
20. Do not allow other persons to be near the chain saw when starting or cutting with the chain saw. Keep bystanders and animals out of the work area.
21. When transporting your chain saw, use the appropriate guide-bar scabbard.
22. All chain saw service, other than the items listed in the instruction manual(s) maintenance instructions, should be performed by competent chain saw service personnel. (For example, if improper tools are used to remove the flywheel or if an improper tool is used to hold the flywheel in order to remove the clutch. Structural damage to the flywheel could occur and subsequently could cause the flywheel to burst.)

Fuel handling

1. Always switch the product off and let the product cool down, before refueling it. Fuel and fuel vapor are highly flammable. Take care when handling fuel. Never smoke when you are refueling the product. Do not refuel the product, if there is an open fire in the vicinity!
2. Always use suitable aids such as funnels and filler necks. Do not spill any fuel on the product or its exhaust system. There is a risk of ignition. Remove spilled fuel carefully from all parts of the product. Move the unit a safe distance from the refueling point before starting.
3. Keep the handles dry, clean, and free of oil or fuel
4. Never use the product in environments where there is a risk of explosion. Exhaust gases and fuel fumes are noxious. Fuel fumes can ignite.
5. Never fill the tank in enclosed spaces, such as basements or sheds. There is a risk of poisoning and explosion!
6. Avoid skin contact with gas.
7. Do not eat or drink, while you are refueling the product. If you have swallowed gas or oil, or if gas or oil has gotten into your eyes, then seek medical attention.
8. Close the tank lid immediately after filling the tank. Make sure that it is properly closed.
9. Never use the product without an air filter.
10. Fuel vapor pressure may build up inside the fuel tank depending on the fuel used, weather conditions and the tank venting system. To reduce the risk of burns and other personal injuries, remove the fuel cap carefully to allow any pressure built up to release slowly.
11. Be aware of fire risks, explosion and inhalation risks.
12. Ensure the spark plug lead is secured; a loose lead may cause electrical arcing that could ignite combustible fumes and cause a fire or explosion.
13. Check regularly for leaks from the fuel cap and fuel lines.
14. Tighten the fuel cap thoroughly after refilling the fuel tank.
15. Do not operate the product if it is leaking fuel. Do not remove the fuel tank cap while the engine is running.
16. Use only an approved container.
17. Do not store cans of fuel or refill the fuel tank in any place where there is a boiler, stove, wood fire, electrical sparks, welding sparks, or other sources of heat or fire which might ignite the fuel.
18. If you have spilled fuel on yourself or on your clothes, change your clothes and wash any part of your body that has come in contact with fuel before turning the engine on again.
19. If fuel is ignited, put out the fire with a dry powder fire extinguisher.
20. If the fuel tank is drained, this should be done outdoors.
21. Use caution when handling fuel. Move the chain saw at least 10 feet (3 m) from the fueling point before starting the engine.

Getting started

1. Do not operate the product indoors, it produces poisonous exhaust fumes while the engine is running and may be colorless and odorless.
2. Do not wrap the recoil starter rope around your hand while starting the product. This may result in injuries to your hand or fingers.
3. Keep handles dry, clean, and free from

oil and grease. Greasy, oily handles are slippery causing loss of control.

4. Do not operate the product with a slack chain. A slack chain may jump off the guide bar and cause serious or even fatal injury.
5. Keep all parts of the body away from the saw chain when the chain saw is operating. Before you start the chain saw, make sure the saw chain is not contacting anything and free from obstructions. A moment of inattention while operating chain saws may cause entanglement of your clothing or body with the saw chain.
6. Shut off the engine before setting the product down.
7. Before using the product and after any impact or dropping, check for signs of wear or damage and repair as necessary.

Operation

1. When sawing, ensure the product does not touch any foreign materials such as rocks, fences, nails etc. Such objects may be flung out and could result in damage to the product or serious personal injury or even death.
2. Never operate the product on a ladder or other insecure support.
3. If the chain jams in the cut: STOP THE ENGINE. Do not try to pull the product free. Use a lever to open the cut and free the chain. Failure to do so could result in serious injuries or death.
4. Only cut with the engine at high speeds.
5. Use extreme caution when cutting small size bushes and saplings. Slender material may catch the saw chain and whip toward you or put you off balance.
6. Operate the product only in well ventilated areas.
7. This product is intended for two handed use only, with your right hand on the rear handle and your left hand on the front handle. You cannot control reactive forces and you may lose control of the saw, which can result in the skating or bouncing of the bar and chain along the limb or log.
8. Do not operate the product if you have

any medical conditions that might be aggravated by strenuous work. Check with your doctor before operating this product.

9. Do not operate the product under the influence of drugs, alcohol or medication.
10. Do not touch muffler or the exhaust during use - IT GETS VERY HOT.
11. Do not operate a product that is damaged, improperly adjusted, or not completely and securely assembled. Be sure that the saw chain stops moving when the throttle trigger is released.
12. Do not operate this product in a tree unless you have been specifically trained to do so. Operation of the product while up in a tree may result in personal injury.
13. Do not operate your product near or around flammable liquids or gases.
14. Do not smoke while operating the product.
15. Do not grip the handles with constant or excessive pressure; this will increase the feeling of vibration and the risk of "white finger" disease.
16. Do not over reach when operating the product or cut above shoulder height.
17. Do not operate the product if it is leaking fuel, engine oil or chain oil.
18. When cutting a limb (branch) that is under tension, be alert for spring back so that you will not be struck when the tension in the wood fibres is released.
19. Always keep proper footing and operate the chain saw only when standing on fixed, secure and level surface. Slippery or unstable surfaces such as ladders may cause a loss of balance or control of the chain saw.
20. Cut wood only. Do not use the product for purposes not intended. For example: do not use chain saw for cutting plastic, masonry or non-wood building materials. Use of the chain saw for cutting plastic, masonry or non-wood building materials. Use of the chain saw for operations different than intended could result in a hazardous situation.

Transport and storage

1. Ensure the engine is off and engage the chain brake before transporting the product.
2. Carry the product with the engine stopped, the guide bar and saw chain to the rear, and the muffler away from your body.
3. Use the guide bar cover and ensure that it is fitted to the product during transportation or storage.
4. Only carry the product in a horizontal position. Grip the front handle in a manner that the product is balanced horizontally.
5. Correctly secure your product when transporting in a vehicle to prevent turnover, fuel spillage and damage to the product.
6. Always store the product and fuel so that there is no risk of leakages or fumes coming into contact with sparks or naked flames from electrical equipment, electric motors, relays/ switches, boilers etc.
7. For longer periods of storage or transportation the fuel, engine oil and chain oil tanks must be emptied.
8. Store fuel in an approved container designed for that purpose.
9. Ensure that the product is cleaned before storing.

Causes and operator prevention of kickback

WARNING!

Kickback may occur when the nose or tip of the guide bar touches an object, or when the wood closes in and pinches the saw chain in the cut.

Tip contact in some cases may cause a sudden reverse reaction, kicking the guide bar up and back towards the operator. Pinching the saw chain along the top of the guide bar may push the guide bar rapidly back towards the operator.

Either of these reactions may cause you to lose control of the saw which could result in serious personal injury. Do not rely exclusively upon the safety devices built into your saw. As a chain saw user, you should take several steps to keep your cutting jobs free from accident or injury.

WARNING!

- a) With a basic understanding of kickback, you can reduce or eliminate the element of surprise. Sudden surprise contributes to accidents;
- b) Keep a good firm grip on the saw with both hands, the right hand on the rear handle and the left hand on the front handle, when the engine is running. Use a firm grip with thumbs and fingers encircling the chain saw handles. A firm grip will help you reduce kickback and maintain control the saw. Don't let go;
- c) Make sure that the area in which you are cutting is free from obstructions. Do not let the nose of the guide bar contact a log, branch, or any other obstruction that could be hit while you are operating the saw;
- d) Cut at high engine speeds;
- e) Do not overreach or cut above shoulder height;
- f) Follow the manufacturer's sharpening and maintenance instructions for the saw chain;
- g) Only use original equipment replacement bars and chains specified by the manufacturer or the equivalent. Caution: The user not to use replacement saw chain unless it has been designed to meet the ANSI B175.1- (current revision of standard) kickback performance requirements on that specific powerhead, or has been designated as low-kickback saw chain in accordance with ANSI B 175.1- (current revision of standard); Low-kickback saw chain is chain that has met the kickback performance requirements of ANSI B 175.1 - (current revision of standard) (American National Standard for Power Tools- Gasoline-Powered Chain Saws-Safety Requirements) when tested on the representative sample of chain saws below 3.8 c.i.d. specified in ANSI B 175.1- (current revision of standard)

WARNING!

Beware of kickback! Kickback can lead to dangerous loss of control of the product and result in serious or fatal injury to the operator or anyone standing close

by! Always be alert because rotational kickback and pinch kickback are major product operational dangers and the leading cause of most accidents! Kickback may occur if the nose or tip of the guide bar touches an object, or if wood pinches the saw chain in the cut. In some cases, contact with the tip of the guide bar may cause a lightning-fast reverse reaction, kicking the guide bar up and back toward the operator.

Pinching the saw chain along the bottom of the guide bar may pull the product forward away from the operator (“skating”).

Pinching the saw chain along the top of the guide bar may push the guide bar rapidly back toward the operator (“bouncing”).

Any of these reactions may cause losing control of the product, which could result in serious personal injury or even death. With a basic understanding of ‘kickback’, the element of surprise can be reduced or eliminated. Sudden surprise contributes to the majority of accidents. Keep a good firm grip on the product with both hands, the right hand on the rear handle and the left hand on the front handle, when the engine is running. Maintain a firm grip with your thumbs and fingers encircling the handles. A firm grip will help you reduce ‘kickback’ and maintain control of the product. You should carefully read all safety warnings and user instructions before attempting to operate this product.

To avoid kickback:

1. Saw with guide bar at a flat angle.
2. Never work with a loose, widely stretched or the heavily worn out chain.
3. Ensure chain is sharpened correctly.
4. Never saw above shoulder height.
5. Never work with the tip of the guide bar.
6. Always hold the product firmly with both hands.
7. Always use a low kickback chain.
8. Apply the metal gripping teeth for leverage.
9. Ensure correct chain tension.
10. Only cut with the engine at high speeds.
11. Do not let the nose of the guide bar contact a log, branch, or any other obstruction which could be hit while

you are operating the product.

12. Follow manufacturer’s sharpening and maintenance instructions for the saw chain.
13. Only use replacement guide bars and saw chains specified by the manufacturer or equivalent replacements.

WARNING!

Most ‘kickback’ accidents happen during limbing! Pay close attention to the position of the ‘kickback’ zone of the bar when you are ‘limbing’ branches that are under tension.

Vibration and noise reduction

To reduce the impact of noise and vibration emission, limit the time of operation.

Take the following points into account to minimize the vibration and noise exposure risks:

1. Only use the product as intended by its design and these instructions.
 2. Ensure that the product is in good condition and well maintained.
 3. Use the correct bar and chain for the product.
 4. Keep tight grip on the handles/gripping surface.
 5. Maintain this product in accordance with these instructions and keep it well lubricated.
 6. Plan your work schedule to spread any high vibration tool use across a longer period of time.
 7. Prolonged use of the product exposes the user to vibrations that can cause a range of conditions collectively known as hand-arm vibration syndrome (HAVS) e.g. fingers going white; as well as specific diseases such as carpal tunnel syndrome.
- To reduce this risk when using the product, always wear protective gloves and keep your hands warm.
 - The symptoms of HAVS include any combination of the following: Tingling and numbness in the fingers; Not being able to feel things properly; Loss of strength in the hands; Fingers going white (blanching) and becoming red and painful on recovery (particularly in the cold and wet, and probably only in

the tips at first). Seek medical advice immediately if such symptoms are experienced.

Emergency

Familiarize yourself with the use of this product by means of this instruction manual. Memorize the safety directions and follow them to the letter. This will help to prevent risks and hazards.

1. Always be alert when using this product, so that you can recognize and handle risks early. Fast intervention can prevent serious injury and damage to property.
2. Stop the engine and disconnect the spark plug wire if there are malfunctions. Have the product checked by a qualified professional and repaired, if necessary, before you operate it again.
3. In case of fire stop the engine. Take fire-extinguishing measures immediately if the product switch is no longer accessible.



WARNING!

Never use water to extinguish a product on fire. Burning fuel must be extinguished with special extinguishing agents. We recommend that you keep a suitable fire extinguisher within reach in your work area!

Residual risks

Even if you are operating this product in accordance with all the safety requirements, potential risks of injury and damage remain. The following dangers can arise in connection with the structure and design of this product:

1. Health defects resulting from vibration emission if the product is being used over long periods of time or not adequately managed and properly maintained.
2. Injuries and damage to property due to broken or worn bar and chain, or the sudden impact of hidden objects during use.
3. Danger of injury and property damage caused by flying objects.
4. Prolonged use of this product expose the operator to vibrations and may

produce 'white finger' disease. In order to reduce the risk, please wear gloves and keep your hands warm. If any of the 'white finger' symptoms appear, seek medical advice immediately.

'White finger' symptoms include: numbness, loss of feeling, tingling, pricking, pain, loss of strength, changes in skin colour or condition. These symptoms normally appear in the fingers, hands or wrists. The risk increases at low temperatures.



WARNING!

This product produces an electromagnetic field during operation! This field may under some circumstances interfere with active or passive medical implants! To reduce the risk of serious or fatal injury, we recommend persons with medical implants to consult their doctor and the medical implant manufacturer before operating this product!

Intended use

This gas-powered saw is classified by CSA as a Class 1C saw. It is intended for infrequent use by homeowners, cottagers, and campers, and for such general applications as clearing, pruning, cutting firewood, etc. It is not intended for prolonged use. Prolonged periods of operation can cause circulatory problems in the user's hands due to vibration.



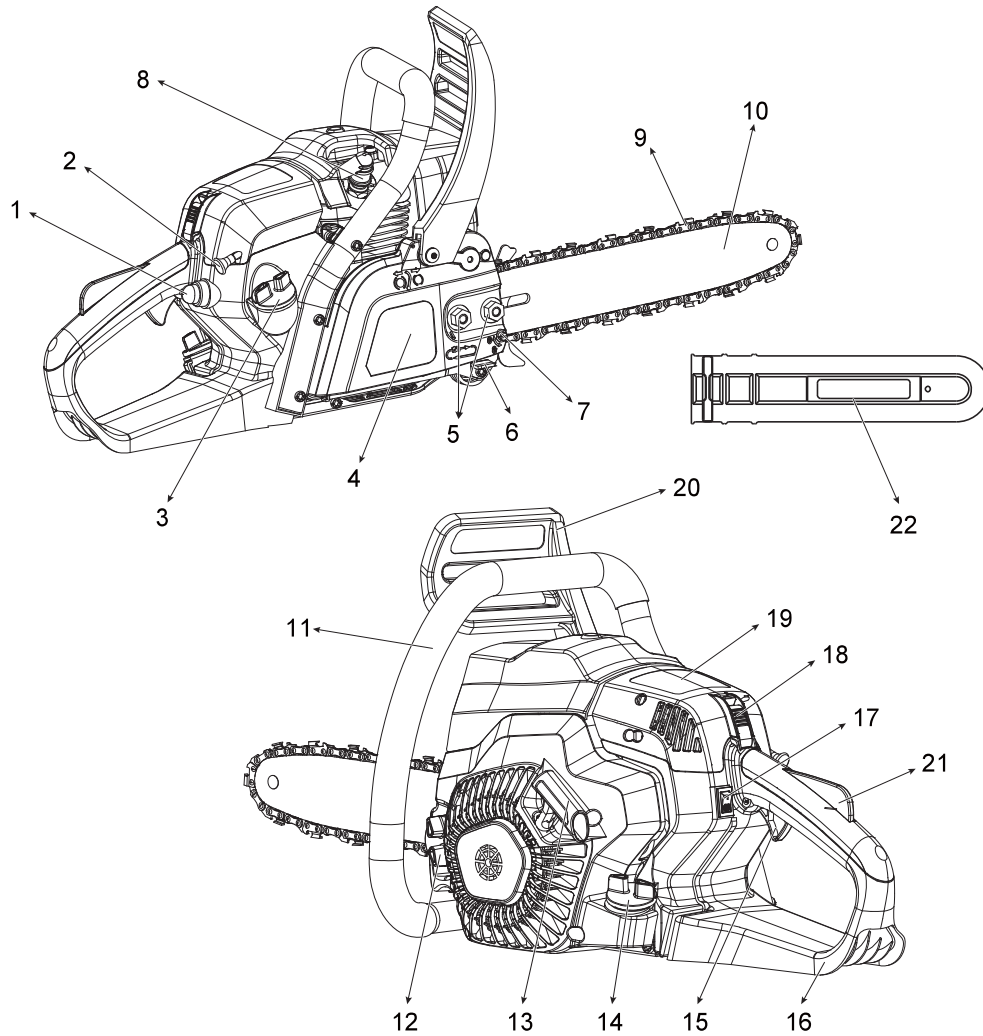
WARNING!

Chain saws shall be used in accordance with the operating instructions and safety precautions listed in the operator's manual(s). It shall be the responsibility of the owner to see that such instructions and precautions are given to every operator who uses the saw.

KNOW YOUR UNIT

Model: CS4QL-L1

For basic limbing, felling, wood cutting.



1	Primer bulb	12	Chain oil cap
2	Choke knob	13	Starter grip and rope
3	Fuel cap	14	Engine oil cap (black in color)
4	Clutch cover	15	Throttle trigger
5	Bar mounting nuts	16	Rear handle
6	Chain catcher	17	On/off switch
7	Saw chain tension screw	18	Air filter lever
8	Spark plug	19	Air filter cover
9	Saw chain	20	Chain brake
10	Guide bar	21	Trigger release
11	Front handle	22	Guide bar cover (scabbard)

SPECIFICATIONS*

Model	CS4QL-L1
Engine displacement	49cc
Rated input power	1600W
No-Load speed	9000±10%rpm
Maximum chain speed	18.1 m/s
Engine oil tank capacity	3.38 oz. (100ml)
Chain oil tank capacity	10.15 oz.(300ml)
Fuel tank capacity	13.53 oz.(400ml)
Saw chain model	91PJ062X OREGON
Guide bar model	180SDEA041 OREGON
Bar tip radius	0.67"(17mm)
Bar length	18"(457mm)
Cutting length	15.98" (406mm)
Machine Weight(with chain/bar)	13.58 lbs (6.16kg)

UNPACKING

Before use of this product, familiarize yourself with all operating features and safety rules.

Chain saw

Before beginning work, inspect the chain saw for damage to the housing, the saw chain and the guide bar. Never use an obviously damaged machine.

Choke knob

The choke knob opens and closes the choke valve in the carburetor. Positions available include FULL CHOKE and RUN.

spark plug wrench and torx wrench

A spark plug wrench and a torx wrench tool is provided for use when performing various maintenance procedures.

In addition, the spark plug wrench can be used to adjust the chain tensioning.

Chain brake/front hand guard

The chain brake is designed to quickly stop the chain from rotating. When the chain brake / front hand guard is pushed toward the bar, the chain should stop immediately. The chain brake does not prevent kickback.

Saw chain

Check the tension and the condition of the chain. The sharper the saw chain is, the easier and more manageable operations will be. The same applies to chain tension. Check the tension every 10 minutes of operation to maximize safety. New saw chains in particular are subject to changes due to the heat created by operation.

Primer bulb

The primer bulb pumps fuel from the fuel tank to the carburetor.

Throttle trigger

The throttle trigger is used for controlling the chain speed.

Protective clothing

Make absolutely sure to wear the appropriate close-fitting protective clothing such as protective pants, gloves and safety shoes. Wear a helmet, hearing protection and a face guard to provide protection against falling and recoiling branches.

Guide bar cover

Align and push the Guide bar cover onto the chain and guide bar to attach it.

WARNING

If any part of the chain saw is missing or damaged, do not use the chain saw until the damaged part is repaired or replaced.

NOTE: Chain and bar oil is not included. You must fill the chain oil tank with bar and chain oil before use.

NOTE: Remove the guide bar cover before use.

Packing list

49cc Chain saw	X1
Bottle of engine oil	X1
Torx wrench	X1
Spark plug wrench	X1
Guide bar cover	X1
Quick start guide	X1
Operation's manual	X1

The Chain Saw comes fully assembled. DO NOT discard box or packing material until all parts are examined.

Tensioning the chain

WARNING

Cutting edges on chain are sharp. Use protective gloves when handling chain.

WARNING

ALWAYS Maintain proper chain tension. A loose chain will increase the risk of kickback. A loose chain may jump out of guide bar groove. This may injure operator and damage chain. A loose chain will cause chain, guide bar, and sprocket to wear rapidly. The chain life of the saw chain mainly depends upon sufficient lubrication and correct tensioning. Avoid tensioning the chain if it is hot, as this will cause the chain to become over tensioned when it cools down.

1. Check the chain tension by pulling the saw chain away from the guide bar. A properly tensioned chain should have roughly 0.12in.(3 mm)of distance between itself and the bar guide (Fig. 1).

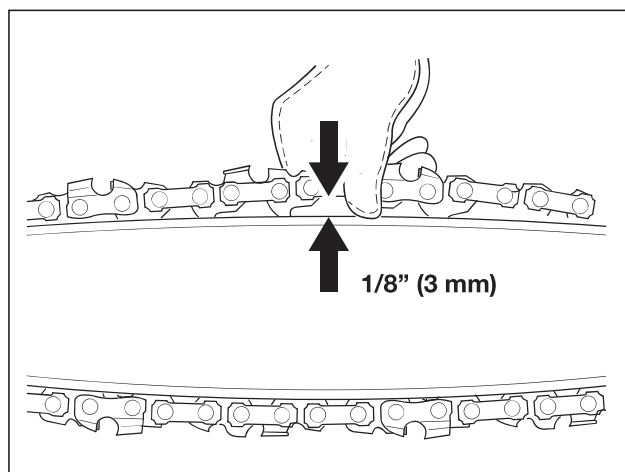


Fig. 1

2. If adjustments are needed, loosen the bar mounting nuts at first then loosen the saw chain tension screw by turning it counterclockwise with the spark plug wrench(Fig. 2).

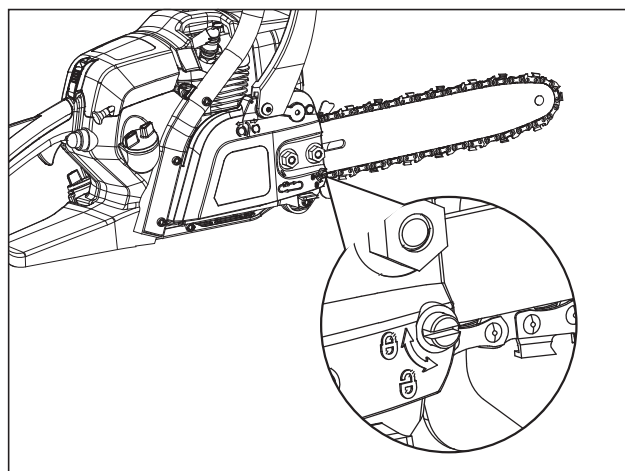


Fig. 2

3. Do not over-tension the chain: this will lead to excessive wear and reduces the life of both the bar and chain.

Note: The saw chain must be tensioned properly in order to ensure safe operation. Since the saw chain heats up during operation, its length can therefore fluctuate. Check the chain tension every 10 minutes of operation and adjust as necessary, particularly for new saw chains. Slacken the saw chain after the work is completed since it shortens when cooling down. In doing so, you can elongate the chain's life and prevent damage.

OPERATIONS

General

1. Check the chainsaw as well as bar and chain for damage before each use. Do not use the product if it is damaged or shows wear.
2. Check the fuel level, engine oil level and chain oil level, refill if necessary.
3. Always hold the product on its handles. Keep the handles dry and free from lubricant to ensure safe support.
4. Ensure that the air filter is always unobstructed and clear. Clean them if necessary, with a soft brush. Blocked air filter may lead to overheating and damage the product.
5. Switch the product off immediately if you are disturbed while working by other people entering the working area. Always let the product come to complete stop before putting it down.
6. Do not overwork yourself. Take regular breaks to ensure you can concentrate on the work and have full control over the product.

WARNING

In some communities regulations define at what time of the day and on what special days products are allowed to be used and what restrictions apply! Ask your community for detailed information and observe the regulations in order to preserve a peaceful neighborhood and avoid committing administrative offences.

Engine oil check (black cap)

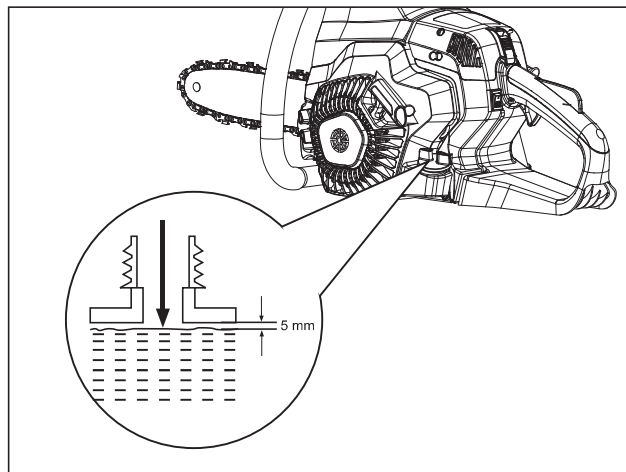


Fig. 3

1. For the first use: Open the engine oil tank cap, pour 100ml of 4-cycle engine oil provided into the engine oil tank.
2. For further use: Open the engine oil tank cap and check the oil level. If the oil level is more than 0.39-0.79in. (10-20 mm) blow the screw thread, please fill the oil tank.
3. Do not overfill and leave approximately 0.20in.

(5 mm) space between the top of the oil and the inside edge of the tank to allow for expansion(Fig. 3).

4. Tighten the cap firmly.

Chain lubrication oil

WARNING

The product is not filled with bar and chain oil. It is essential to fill the product with bar and chain oil before using it! Never operate the product without bar and chain oil as this will result in extensive damage to the product!

If the oil level decreases to below one quarter capacity, refill it with the proper bar and chain oil. To fill the oil reservoir:

Operating the saw chain dry or with too little bar and chain oil will decrease cutting efficiency, shorten the product life span and cause rapid wear to the saw chain and guide bar from overheating!

Insufficient bar and chain oil is evident by smoke or bar discoloration! Adequate lubrication of the saw chain during cutting operations is essential to minimize friction with the guide bar!

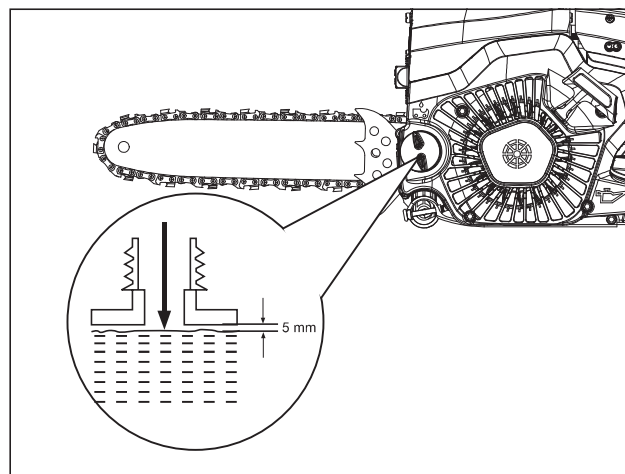


Fig. 4

1. Position the unit in a way that the bar and chain oil tank cap faces upwards.
2. Open the cap and check the oil level. If the oil level is more than 0.39-0.79in. (10-20 mm) blow the screw thread, please fill the tank.
3. Do not overfill and leave approx. 0.20in.(5 mm) space between the top of the oil and the inside edge of the tank to allow for expansion(Fig. 4).
4. Tighten the cap firmly.

Note: It is recommended that using bar and chain oil.

Filling fuel

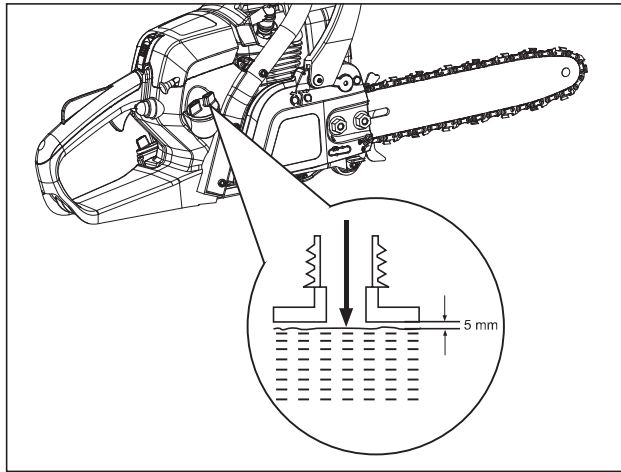


Fig. 5

WARNING

Check for fuel leaks. A leaking fuel cap, tank, or line is a fire hazard and must be replaced immediately. If you find any leaks, correct the problem before using the product. Failure to do so could result in a fire that could cause serious personal injury.

WARNING

Gasoline and its vapors are highly flammable and explosive. To prevent serious personal injury and property damage, handle it with care. Keep away from ignition sources and open flames, handle outdoors only, do not smoke, and wipe up spills immediately.

1. Position the unit in a way that the fuel tank cap faces upwards and remove the fuel tank cap.
2. Refill with unleaded fuel (10% Ethanol or less) carefully without overfilling. Leave approx. 0.20in. (5 mm) space between the top of the fuel and the inside edge of the tank to allow for expansion(Fig.5).
3. Tighten the fuel tank cap firmly.

NOTE: It is normal for the engine to emit smoke during and after the first use.

WARNING

Always shut off engine before fueling. Never remove fuel cap or add fuel to a machine with a running or hot engine. Make sure unit is sitting on a flat, level surface and only add fuel outdoors. If the engine is hot, allow to cool for at least five minutes before adding fuel. Immediately replace fuel cap after fueling and tighten securely. Move at least 118.1 in. (3 m) from refueling site before starting the engine. Do not smoke and stay away from open flames and sparks. Failure to follow these instructions could result in a fire and cause serious personal injury.

Start with cold engine

1. Carefully pull the chain brake back toward the front handle (Fig6).

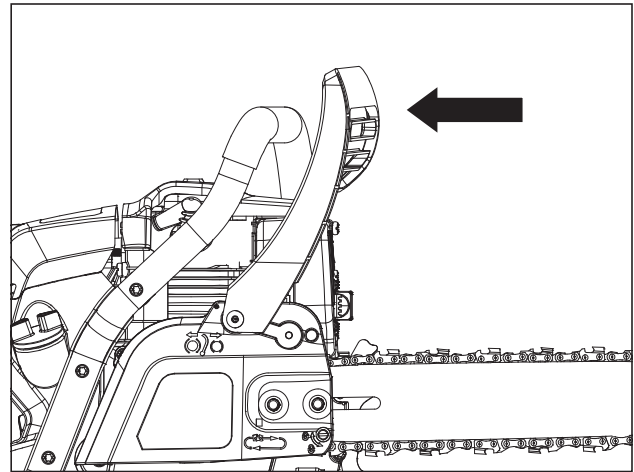


Fig. 6

2. Give 6-10 slow, but firm pushes on the primer bulb until fuel comes into the primer bulb (Fig.7).
3. Pull choke knob all the way out to FULL CHOKE position (Fig.7).

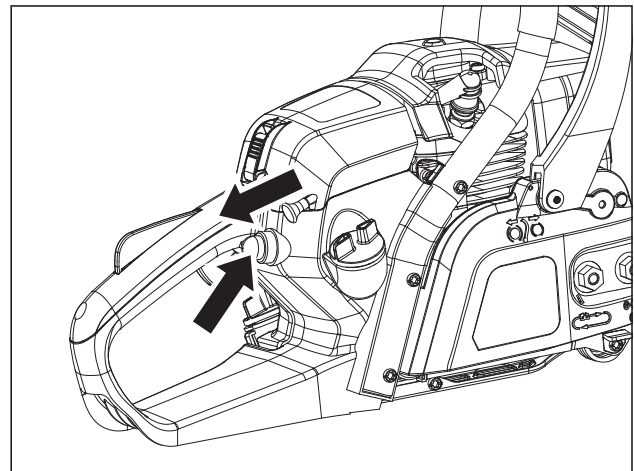


Fig. 7

4. Hold the product firmly with left hand on the front handle and right foot onto the rear hand safeguard without touching the throttle trigger, pull the starter grip and rope until the engine attempts to start 5 times (Fig.8).
5. Push choke knob to RUN position (Fig.9).
6. Then, pull starter rope till engine starts.

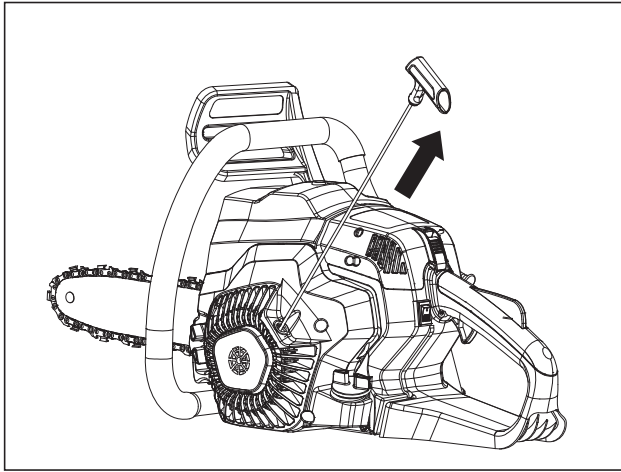


Fig. 8

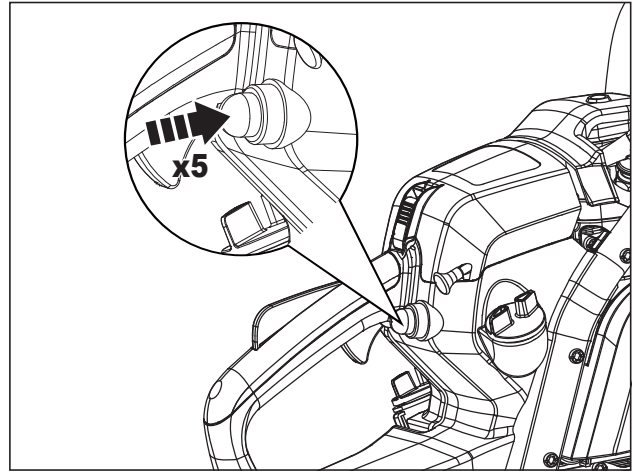


Fig. 10

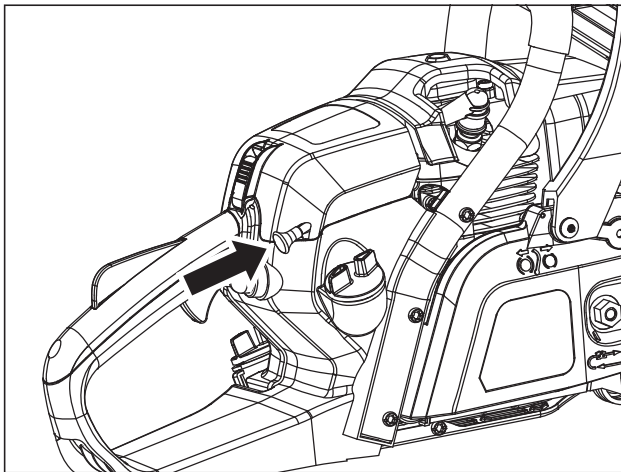


Fig. 9

Pull the choke knob all the way out to FULL CHOKE position.

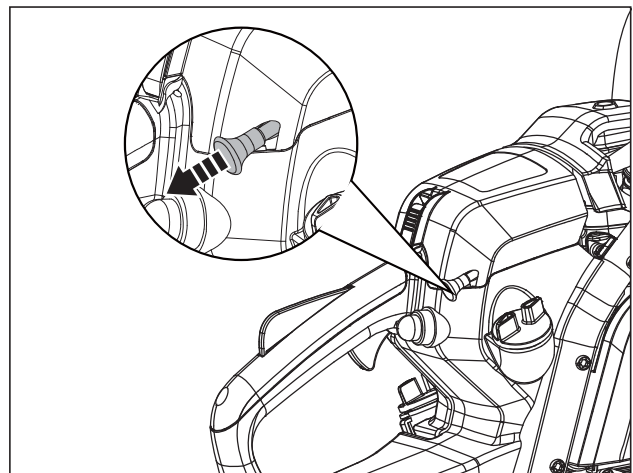


Fig. 11

WARNING

The choke knob should be switched to "RUN" position immediately by pressing the throttle trigger after cold start, otherwise the engine could be damaged due to continuous running with closed choke.

Note: When the engine is running with no load at high speed, you may hear the engine speed limiter controlling maximum RPM. The sound is normal. When saw is under load cutting, the sound will become steady.

Start with warm engine

Press primer bulb 5 times until gas is visible in the primer bulb and fuel line. (Fig. 10)

Push the choke knob in. The choke is now in the Run position.

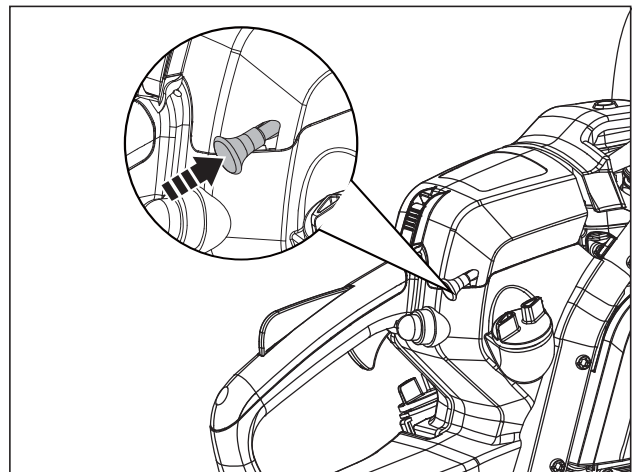


Fig. 12

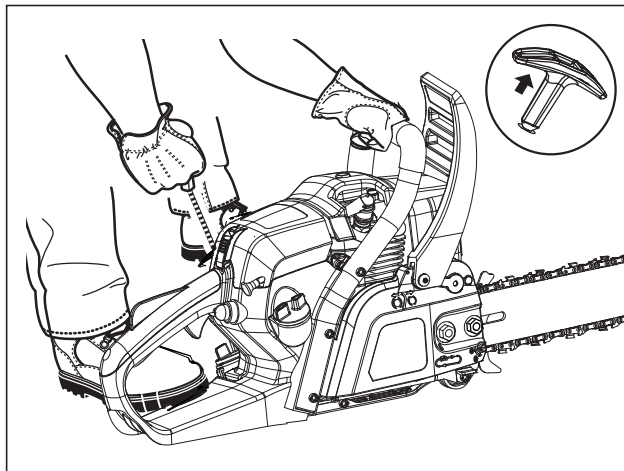


Fig. 13

Rapidly pull starter rope till engine starts. If engine does not start, follow Warm Start procedure.

NOTE: If the engine does not start, the engine may be flooded. Flooding is caused by too much fuel mixture applied at the wrong time and can prevent a product from starting.

Follow below procedure:

- Push the choke knob fully back to RUN position.
- Remove the spark plug and dry it.
- Pull the recoil starter handle for several times to drain the fuel from the combustion chamber.
- Wipe off the area around the spark plug hole and place the spark plug back in. Tighten to proper torque. Wait the engine to cool down and then start the product as described in section "Cold start".

Ready to cut, push and hold the trigger release with your hand, while squeezing the throttle trigger (Fig.14).

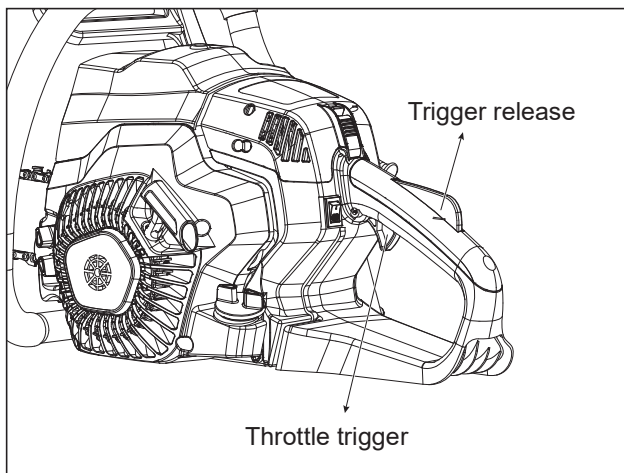


Fig. 14

NOTE:The trigger release reduces the risk of accidental starting.

To turn the unit OFF, release the throttle trigger. and press the On/off switch to OFF position.

Chain brake

The chain brake is a safety mechanism. When kickback occurs the saw chain stops immediately when the chain brake is engaged (Fig.15, Fig.16).

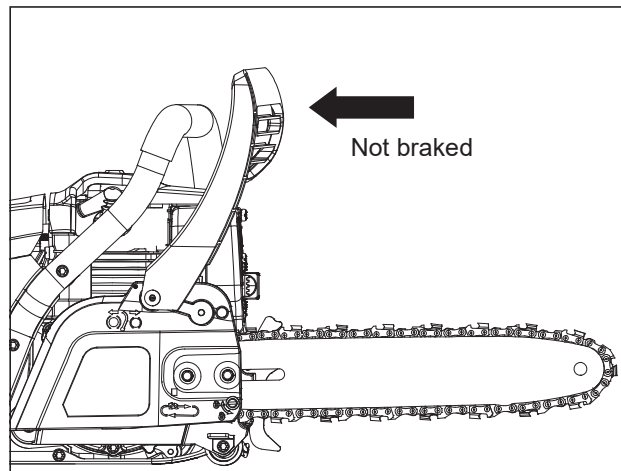


Fig. 15

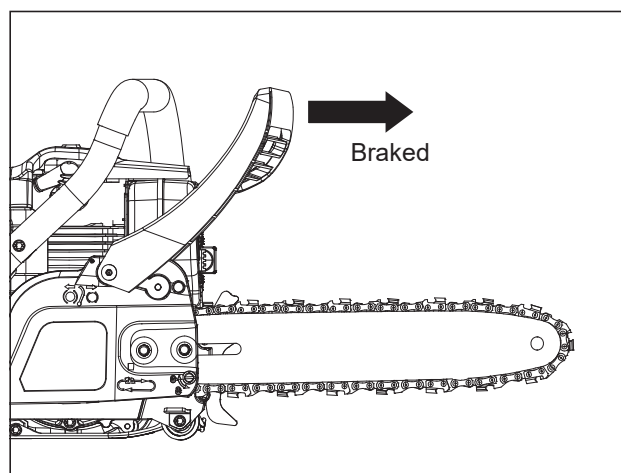


Fig. 16

The following function check should be carried out before each use. The purpose of the chain brake testing is to reduce the possibility of injury due to kickback:

1. Start the product as described above.
2. Press down on the throttle release, then fully squeeze the throttle trigger with your index finger and hold in this position.
3. While the engine and chain are running, activate the chain brake by rolling your left hand forward against the front hand guard. Saw chain should stop immediately.
4. Release the throttle trigger afterward.
5. Pull back the chain brake to non-braked position.

WARNING

If the saw chain fails to stop when the chain brake is engaged, take the product to the nearest authorized service center or a similarly qualified person! Do not use the product if the chain brake is not in working properly!

WARNING

The front hand guard can only be used for short time check and emergency. It should not be used for starting and stopping the product during normal operation! Otherwise the clutch and/or the clutch cover will be damaged!

Chain speed

The saw chain shall not move under engine idle speed without pressing the throttle trigger.

WARNING

If the saw chain shows any sign of moving, stop the engine immediately! Wait for all moving parts to stop! Contact an authorized service center or a similarly qualified person to readjust idling speed!

Checking chain lubrication

The chain lubrication should be checked after everything else is ready before cutting. This product is equipped with an automatic oiling system! The oiling system automatically delivers the proper amount of oil to the bar and chain. Start the engine; keep it running at medium speed and check if the chain oil is delivered as shown in the figure(Fig.17).

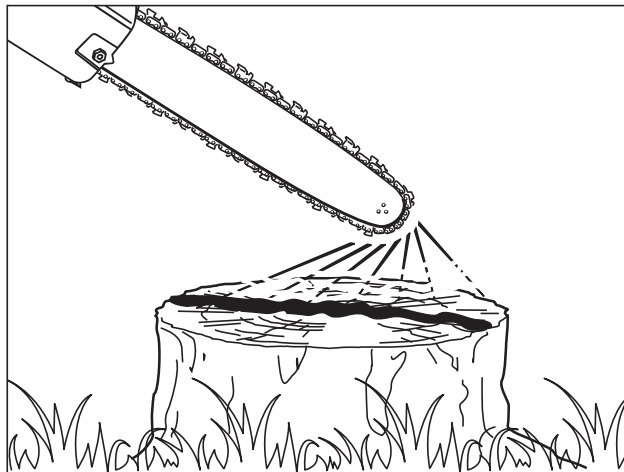


Fig. 17

Cutting procedure

1. To become proficient attend a recognised chain saw training course to learn how to operate chain saws safely and effectively. Familiarise yourself with all the controls and switches. Practice all movements with the product switched off.
2. Always hold the product firmly with both hands. Front handle with the left hand and rear handle with the right hand. Fully grip both handles at all times during operation. Never operate the product using only one hand.
3. Only use the product with a secure stance. Hold the product at the right-hand side of your body(Fig.18).



Fig. 18

4. Ensure that cutting object does not exceed the usable cutting length of the chain saw. The tip of guide bar shall always be kept at least 1.97in.(5 cm) outside the outline of the wood log.
5. Ensure the saw chain is running at full speed before it makes contact with the wood. Use the spiked bumper to secure the product onto the wood before starting to cut and use it as a leverage point while cutting(Fig.19).

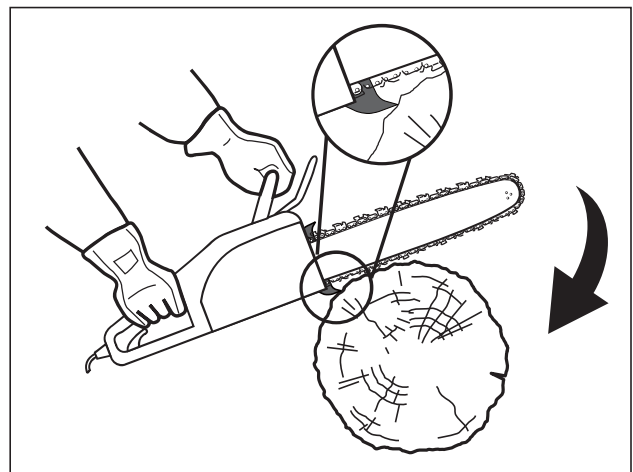


Fig. 19

6. Reset the spiked bumper at a low point when cutting thicker logs by pulling the product slightly backwards until the gripping teeth release, and reposition at lower level to continue sawing. Do not remove the product completely from the wood.
7. Do not force the saw chain while cutting, let the chain do the work, using the gripping teeth of spiked bumper to apply minimal leverage pressure.
8. Do not operate the product with arms fully extended or attempt to saw areas which are difficult to reach, or on a ladder. Never use the product above shoulder height.
9. Optimum sawing is achieved if the chain speed remains constant during cutting.
10. Be careful when reaching the end of the cut. The weight of the product may change unexpectedly as it cuts free from the wood. This can cause accidents to the legs and feet. Always remove the product from a wood cut while the product is running.
11. Check the chain tension and oil feeding regularly.

WARNING

Most 'kickback' accidents happen during limbing! Pay close attention to the position of the 'kickback' zone of the bar when you are 'limbing' branches that are under tension.

Felling a tree

1. When bucking and felling operations are being performed by two or more persons at the same time, the felling operations should be separated from the bucking operation by a distance of at least twice the height of the tree being felled. Trees should not be felled in a manner that would endanger any person, strike any utility line or cause any property damage. If the tree does make contact with any utility line, the utility company should be notified immediately.
2. The product operator should keep on the uphill side of the terrain as the tree is likely to roll or slide downhill after it is felled.
3. An escape path should be planned and cleared as necessary before cuts are started. The escape path should extend back and diagonally to the rear of the expected line of fall(Fig.20).

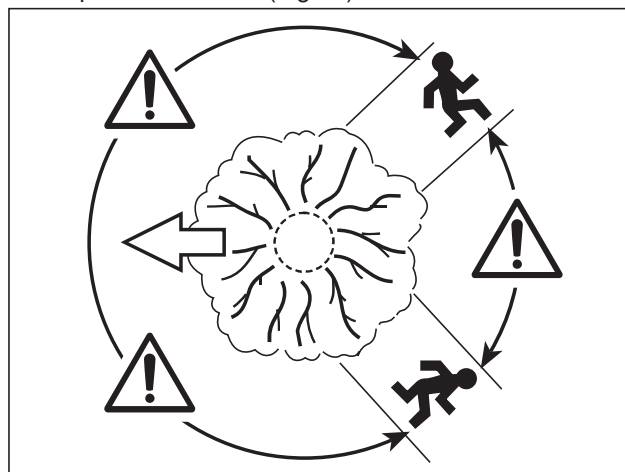


Fig. 20

4. Before felling is started, consider the natural lean of the tree, the location of larger branches and the wind direction to judge which way the tree will fall.
5. Remove dirt, stones, loose bark, nails, staples and wire from the tree.

Notching undercut and felling back cut

Make the notch (B) 1/3 the diameter of the tree, perpendicular to the direction of falls. Make the lower horizontal notching cut first. This will help to avoid pinching either the saw chain or the guide bar when the second notch is being made.

Make the felling back cut (A) at least 1.97in.(5 cm) higher than the horizontal notching cut. Keep the felling back cut parallel to the horizontal notching cut. Make the felling back cut so enough wood is left to act as a hinge. The hinge (C) wood keeps the tree from twisting and falling in the wrong direction. Do not cut through the hinge.

As the felling gets close to the hinge, the tree should begin to fall. If there is any chance that the tree may not fall in desired direction or it may rock back and bind the saw chain, stop cutting before the felling back cut is complete and use wedges of wood, plastic or aluminum to open the cut and drop the tree along the desired line of fall.

When the tree begins to fall remove the chainsaw from the cut, stop the engine put the chainsaw down then use the retreat path planned. Be alert for overhead limbs falling and watch your footing(Fig.21).

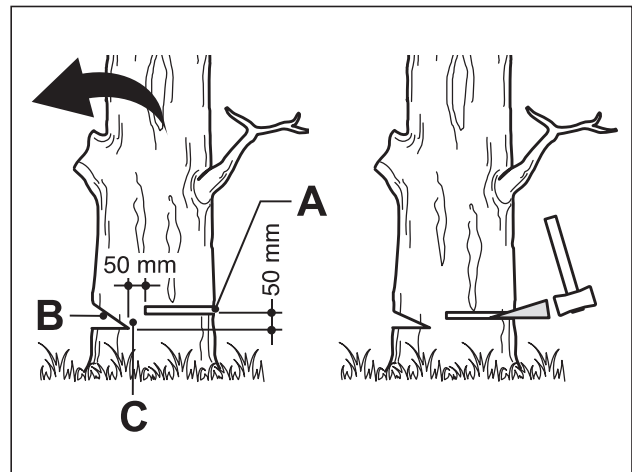


Fig. 21

Limbing and pruning

Limbing is removing the branches from a fallen tree. When limbing leave larger lower limbs to support the log off the ground. Remove the small limbs in one cut. Branches under tension should be cut from the bottom up to avoid binding the product(Fig.22).

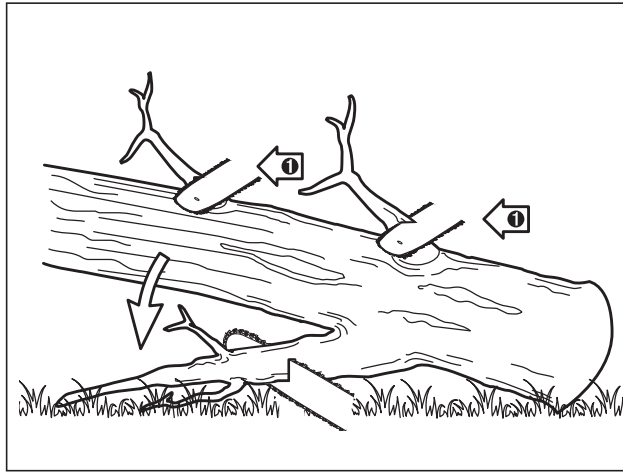


Fig. 22

Cutting spring poles

A spring pole is any log, branch, rooted stump, or sapling which is bent under tension by other wood so that it springs back if the wood holding it is cut or removed. On a fallen tree, a rooted stump has a high potential of springing back to the upright position during the bucking cut to separate the log from the stump. Watch out for spring poles, they are dangerous(Fig.23).

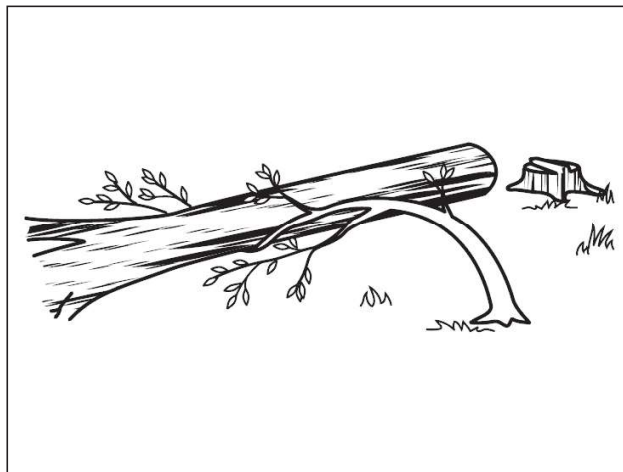


Fig. 23

Bucking a log

1. Follow the simple directions for easy cutting. When the log is supported along its entire length, it is cut from the top (overbuck)(Fig.24). Do not let the bar and chain hit the ground.

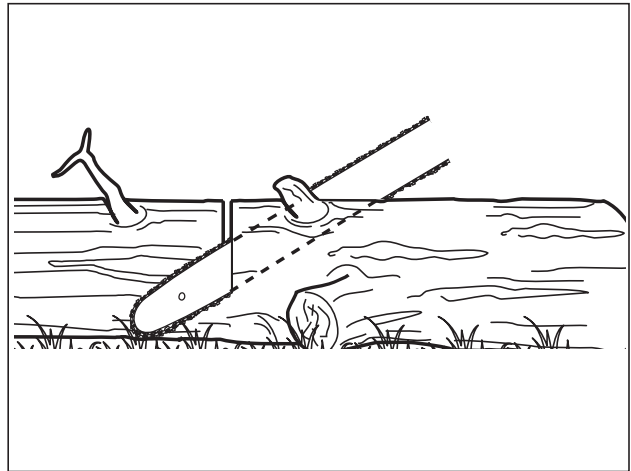


Fig. 24

2. When the log is supported on one end, cut 1/3 the diameter from the underside (underbuck). Then make the finished cut by overbucking to meet the first cut (Fig.25).

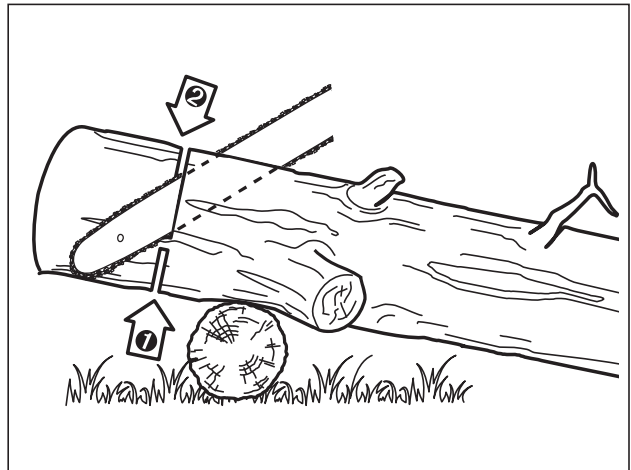


Fig. 25

- When the log is supported on both ends, cut 1/3 the diameter from the top (overbuck). Then make the finished cut by underbucking the lower 2/3 to meet the first cut(Fig.26).

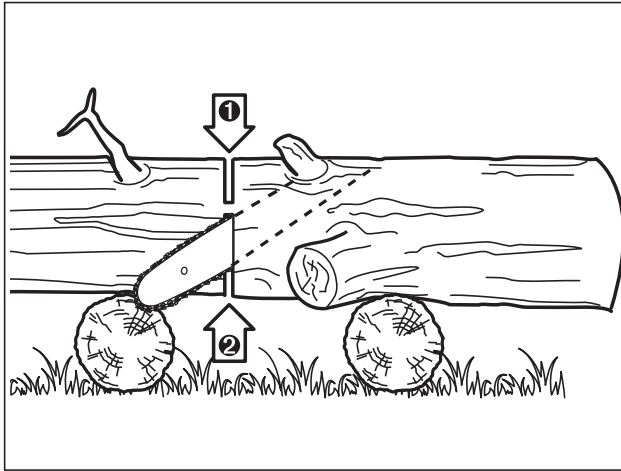


Fig. 26

- When bucking on a slope always stand on the uphill side of the log. When "cutting through", to maintain complete control release the cutting pressure near the end of the cut without relaxing your grip on the product handles. Do not let the chain contact the ground. After completing the cut, wait for the saw chain to stop before you move the product. Always stop the engine before moving from tree to tree(Fig.28).

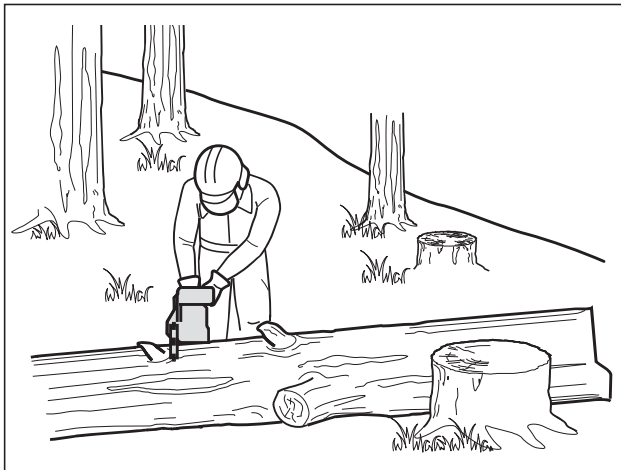


Fig. 28

- Support small logs on a sawing stand or another log while bucking(Fig.29).

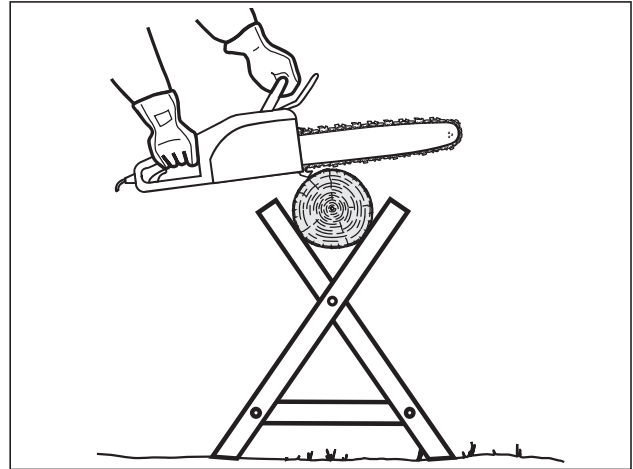


Fig. 29

- If the wood diameter is large enough for you to insert a soft bucking wedge without touching the chain, you should use the wedge to hold the cut open to prevent pinching(Fig.30).

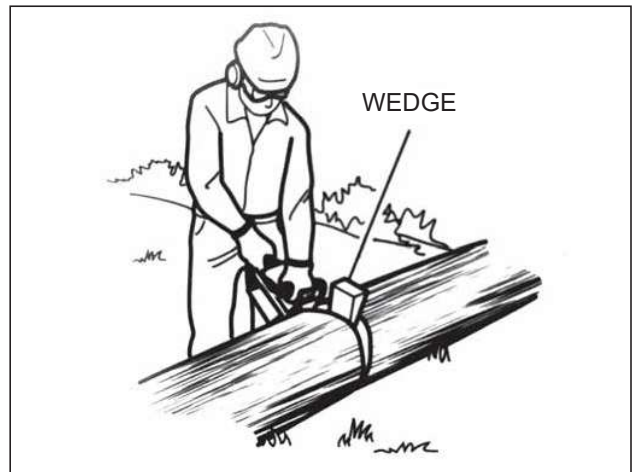


Fig. 30

MAINTENANCE

WARNING

Always switch the product off, disconnect the spark plug wire and let the product cool down before performing inspection, maintenance and cleaning work! Maintain this product regularly and carefully! If the product is improperly maintained, it may fail at its intended task, which may produce fatal consequences.

1. Keep the product clean. Remove debris from it after each use and before storage.
2. Regular and proper cleaning will help ensure safe use and prolong the life of the product.
3. Inspect the product before each use for worn and damaged parts. Do not operate it if you find broken and worn parts.

WARNING

Only perform repairs and maintenance work according to these instructions! All further works must be performed by an authorized service dealer!

General cleaning

1. Clean the product with a dry cloth. Use a brush for areas that are hard to reach.
2. In particular clean the air vents after every use with a cloth and brush.
3. Remove stubborn dirt with high pressure air (max. 3 bar).
4. NOTE: Do not use chemical, alkaline, abrasive or other aggressive detergents or disinfectants to clean this product as they might be harmful to its surfaces.
5. Check for any damage and wear. Repair damages in accordance with this instruction manual or take it to an authorized service center or a similarly qualified person before using the product again.

Maintenance table

Inspect and maintain this product regularly based on below maintenance table.

Part	To do	Before/ after each use	10h	25h	50h/ half year	100 h/ once a year
Spark plug	Check			x		
Spark plug	Clean			x		
Spark plug	Replace	Whenever necessary				
Air filter	Check	x				
Air filter	Clean	x				
Air filter	Replace	Whenever necessary				
Saw chain	Check	x				
Saw chain	Lubricate	x				
Saw chain	Clean	x				
Saw chain	Replace	Whenever necessary				
Engine oil	Check	x				
Engine oil	Replace	After the first 8 hours				

Remark:

- The maintenance interval is only a recommendation for machine in ordinary operation condition. If there is any abnormal sign of the machine, please do the proper inspection and maintenance immediately.
- If anything is unclear for you, please contact customer service for help.
- All other repairs or maintenances which are not mentioned here shall only be done by an authorized service dealer.

Sprocket wheel

1. Clean the sprocket wheel.
2. Using a disposable lube gun, insert the needle nose into the lubrication hole and inject grease until it appears at the outside edge of the sprocket(Fig.31).

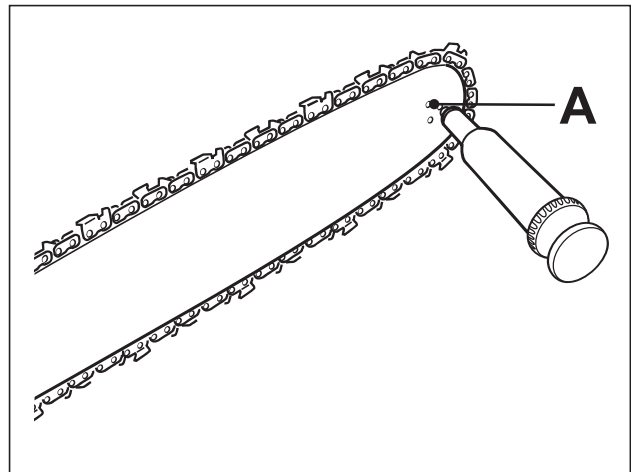


Fig. 31

3. Make sure that the chain brake is disengaged. While wearing gloves rotate the saw chain. Repeat the lubrication procedure until the entire sprocket has been greased.

Guide bar and saw chain maintenance

Most guide bar problems can be prevented merely by keeping the product well maintained. Incorrect filing and non-standard cutter and depth gauge settings are the causes of most guide bar problems, primarily resulting in uneven bar wear. As the bar wears unevenly, the rails widen, which may cause the chain to clatter and make it difficult to complete straight cuts. If the guide bar is insufficiently lubricated and the product is operated with a saw chain which is too tight, this will contribute to rapid bar wear. To help minimize bar wear, maintenance of the guide bar as well as the saw chain is recommended.

WARNING

Wear gloves when handling the chain and bar. These components are sharp and may contain burrs.

1. Remove the saw chain and guide bar according to below in reversed order from re-assembly.
2. Check the oiling port for clogging and clean if necessary to ensure proper lubrication of the guide bar and saw chain during operation. Use a soft wire small enough to insert into the oil discharge hole.
3. Check the drive sprocket. If it is worn or damaged due to strain, have it replaced by an authorized service center or a similarly qualified person.
4. Clear residue from the rails on the guide bar using a screwdriver, putty knife, wire brush or other similar tool. This will keep the oil passages open to provide proper lubrication to the guide bar and saw chain.
5. Check the guide bar 'rail' for wear: Hold a ruler (straight edge) against the side of the guide bar and 'cutter side plates'. If there is a gap between the ruler and guide bar the guide bar 'rail' is normal. If there is no gap (ruler flush against the side of the guide bar) the guide bar 'rail' is worn and needs to be replaced with a new one of the same type (Fig.32) .

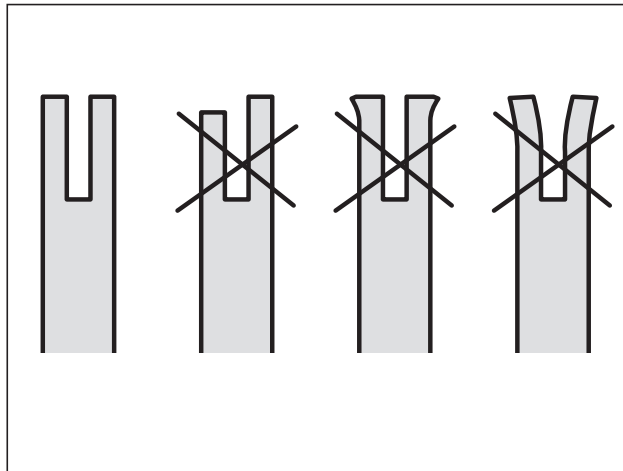


Fig. 32

6. Turn the guide bar 180° to allow even wear, thereby extending the life span of the guide bar.
7. Check the saw chain for possible wear and damages. Replace it with a new one if required. Experienced user can sharpen a dull saw chain (see section "Saw chain sharpening" below).
8. Re-assemble the saw chain and guide bar follow steps below:

1. Place the unit on a suitable flat surface with the front handle facing upward.
2. Remove the bar mounting nuts using the spark plug wrench provided.
3. Remove the clutch cover (Fig. 33).

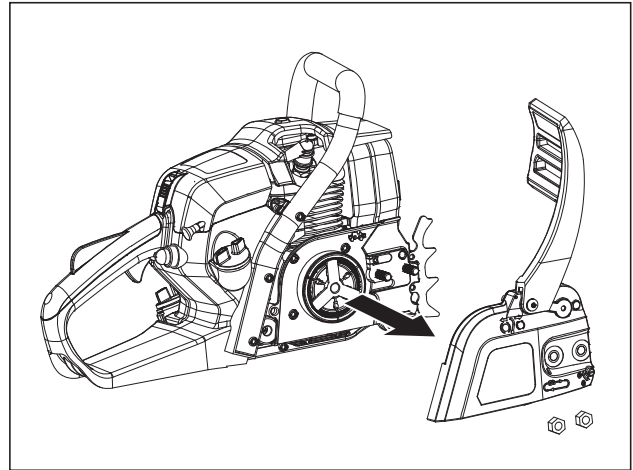


Fig. 33

4. Ensure the saw chain tension screw is positioned to the right side, turning the tension screw counter clockwise with the spark plug wrench.
5. Spread the saw chain out with the cutting edges of the chain pointing in the rotational direction and slide the chain into the groove around the guide bar.
6. Align the guide bar and saw chain assembly with the drive sprocket and bolt . Lay the saw chain around the drive sprocket and then lower the guide bar to install it to the bolt (Fig. 34).

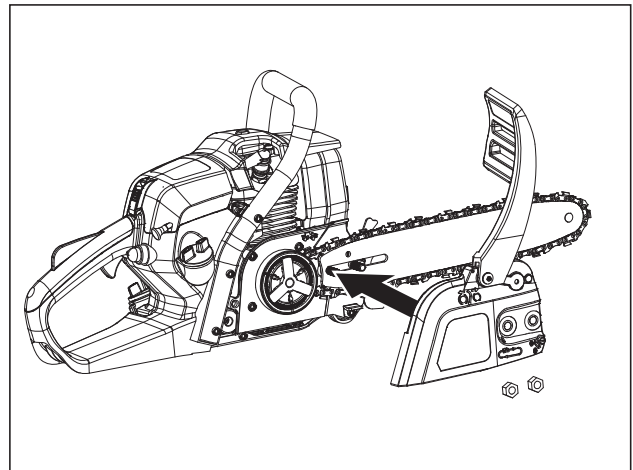


Fig. 34

7. Tighten the bar mounting nuts to fix the clutch cover (Fig. 35).
8. Pull the saw chain along the top of the guide bar by hand from one end to the other, several times. The chain should feel tight but still move freely.

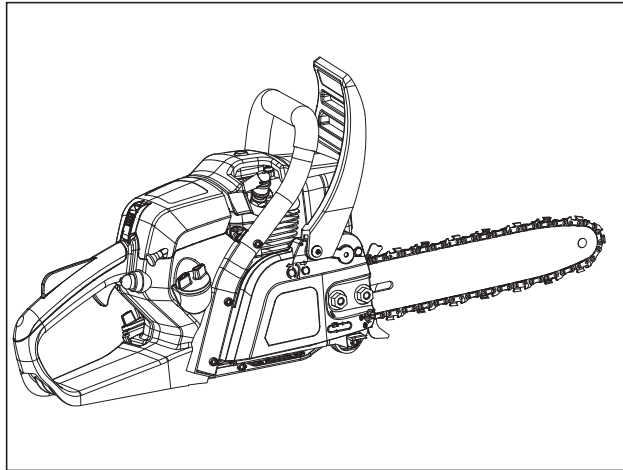


Fig. 35

Saw chain sharpening

NOTE: Saw chain sharpening may be required:

- after damp wood is cut (mealy sawdust),
- when handling the product becomes difficult (pulls to the left or right),
- when the saw chain is blunt (excessive force is required to penetrate the wood), or obviously damaged.

Never saw with a blunt chain. The saw chain is blunt if you have to push the product into the tree and the chips are very small.

1. Have the saw chain sharpened professionally at an authorized service center or sharpen the chain yourself by using a proper sharpening kit. Also observe the sharpening instructions supplied with the sharpening kit.

WARNING

Only sharpen the saw chain yourself if you are trained and have experience! Use proper tools to sharpen the saw chain!

2. The height difference between the tooth and the ridge is the cutting depth. When sharpening the saw chain you have to consider the following points:
 - File angle
 - Cutting angle
 - File position
 - Diameter of round file
 - File depth
3. To sharpen the chain proceed as follows:
 - Use protective gloves.
 - Ensure the chain is correctly tensioned.
 - Engage the chain brake to lock the chain on the bar.

NOTE: A file guide is available from most reputable tool merchants and is the easiest way to hold the file at the correct position.

4. File at an angle perpendicular to the bar, and at an angle of 25° to the direction of travel (Fig.36).

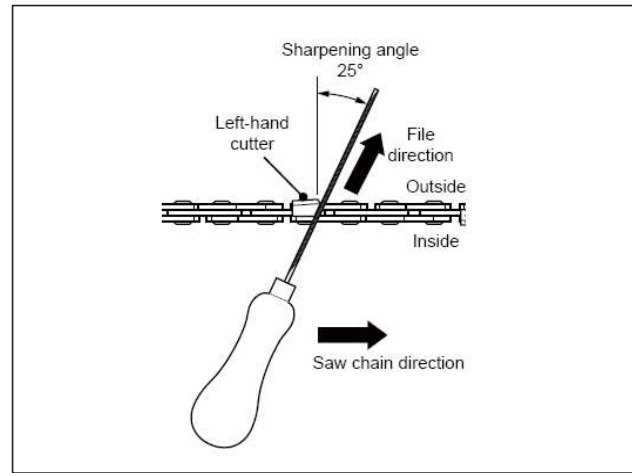


Fig. 36

5. File each tooth from the inside towards outside only. File one side of the chain first than turn the saw around and repeat the process.
6. Sharpen each tooth equally by using the same number of strokes.
7. Keep all cutter lengths equal. Check the safety depth gauge height every 5 sharpenings. If the depth gauges are also trimmed it is essential that the original profile be restored.
8. Use a depth gauge measuring instrument to check the height of the depth gauge. Depth gauge measuring jigs are available from most reputable tool merchants (Fig.37).

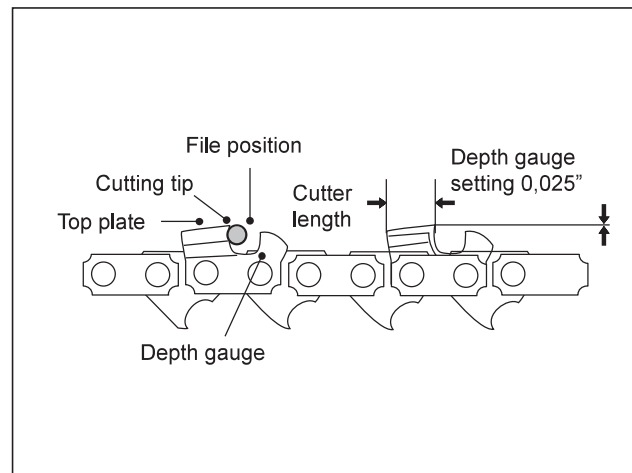


Fig. 37

Air filter

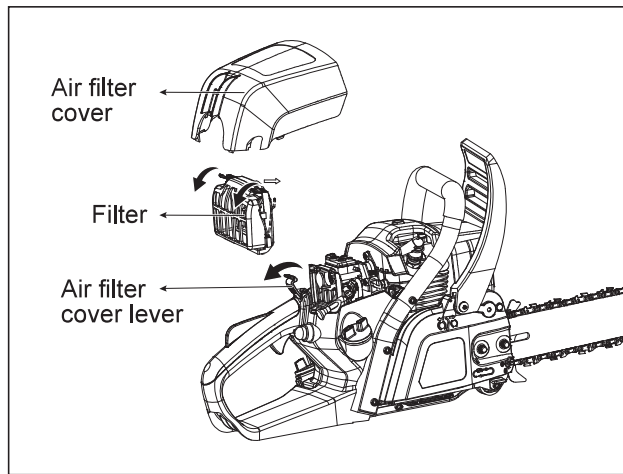


Fig. 38

Wash the air filter every 25 hours (if too dusty, every 10 hours) with clear water and dry it. Inspect the air filter regularly. Replace it with a new one if necessary.

1. Loosen the air filter cover lever to open the air filter case.
2. Remove the filter by unlocking two wire clasps and pressing two buttons from the cover and tap it on a solid surface to remove dust.
3. Wash the air filter if necessary.
4. Put the filter and air filter cover back on the air filter case.
5. Re-attach the air filter lever and secure it with the air filter cover button.

Engine oil change



ATTENTION!

Old engine oil is special waste and has to be disposed of according to your local environment protection regulation. Do not pour the oil into garbage can, sewer, soil etc.

1. The engine oil replacement is easier if engine is warm (NOT HOT!).
2. Open the oil tank cap and drain the old oil to a container.
3. Refill with new oil as instructed in engine oil check instructions.
4. Clean the dropped oil on the machine if necessary.

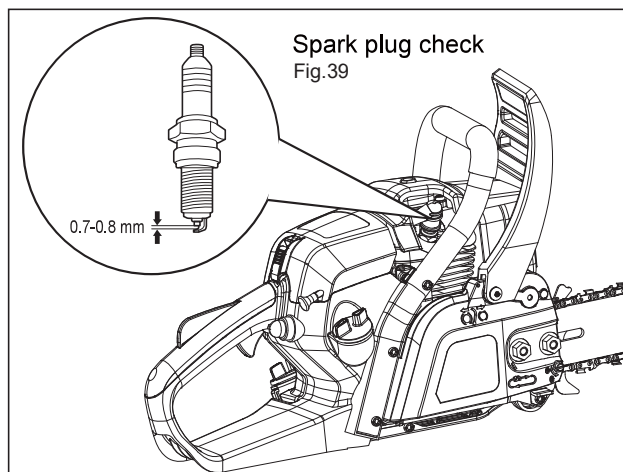


Fig. 39

Spark plug replacement



WARNING

Never do this work if the engine is still warm!

1. Pull out the spark plug cap and clean the dust in the spark plug area.
2. Screw out the spark plug with the provided socket wrench.
3. Check the ceramic isolation. Replace the spark plug if damaged.
4. Clean the electrodes (metal tip) with mild sandpaper to refresh the surfaces.
5. Check the spark plug gap. It should be 0.027-0.031in.(0.7-0.8 mm)(Fig.39).
6. Restore the spark plug and its cap.

Carburetor

Do not adjust carburetor. If you have trouble with the carburetor, please contact the after-sales service or authorized service dealer. Improper adjustment may cause engine damage and void warranty.

WARRANTY

LIMITED TWO-YEAR WARRANTY

2 year limited warranty on Senix 4QL chainsaws

FOR TWO YEARS from the original date of retail purchase this chainsaw is warranted against defects in materials or workmanship on power tools. Defective product will receive free repair.*

This warranty does not cover normal wear of parts and components such as cutting chain, line or blades nor does this warranty cover product transportation cost for warranty or service.

Warranty is subject to the following conditions:

- Warranty applies to the original purchaser at retail and is not transferrable*
- Warranty Registration at www.senixtools.com
- The tool has not been misused, abused, neglected, altered, modified or repaired by anyone other than an authorized service center
- Only genuine Senix accessories have been used with or on this product
- The tool has been subjected to normal wear and tear
- The tool has not been used for trade or professional purposes
- The tool has not been used for rental purposes
- This warranty only covers defects arising under normal usage and does not cover any malfunction, failure or defect resulting from misuse, abuse (including overloading the product, exposure to water or rain) accidents, neglect or lack of proper installation and improper maintenance or storage.

To locate your nearest Senix service provider call toll free at 1-855-755-4663 or email us at service@senixtools.com.

Additional Limitations

Any implied warranty granted under state law, including warranties of merchantability or fitness for a particular purpose, are limited to three years from the date of purchase on power tools and chargers and seven years on batteries. The manufacturer is not responsible for direct, indirect, incidental or consequential damages. Some states and provinces do not allow limitations on how long an implied warranty lasts and/or do not allow the exclusion or limitation of incidental damages, so the above limitations and exclusions may not apply to you. This warranty gives you specific legal rights, and you may also have other rights which vary from state to state or province to province.

YAT USA declines any responsibility in regard to civil liability arising from abusive use or not in conformity with proper use and maintenance of the machine as described in the operator's manual.

YAT USA is not responsible for direct, indirect, incidental or consequential damages.

After the purchase, the manufacturer recommends proper maintenance of the machine and to read the operator's manual before using the machine.

*Original purchase receipt may be required for proof of purchase

For customer service contact us toll free at 1-855-755-4663 or Senixtools.com. YAT USA, Inc. 6441 Hendry Road, Suite A, Charlotte NC 28269.

TRANSPORTATION

TRANSPORTATION

1. Switch the product off.
2. Attach the guide bar cover.
3. Always carry the product by its handles.
4. Protect the product from any heavy impact or strong vibrations which may occur during transportation in vehicles.
5. Secure the product to prevent it from slipping or falling over, loss of fuel, damage and injury.

STORAGE

1. Attach the guide bar cover.
2. Store the machine out of reach for children and other unauthorized persons in a well-ventilated, dry and frost-free environment.
3. Protect the machine against dust.

DISPOSAL

Waste product should not be disposed of with household waste. Please recycle where facilities exist. Check with your local authority or retailer for recycling advice.

TROUBLE SHOOTING

Suspected malfunctions are often due to causes that the users can fix by themselves. Therefore check the product using this section. In most cases the problem can be solved quickly.



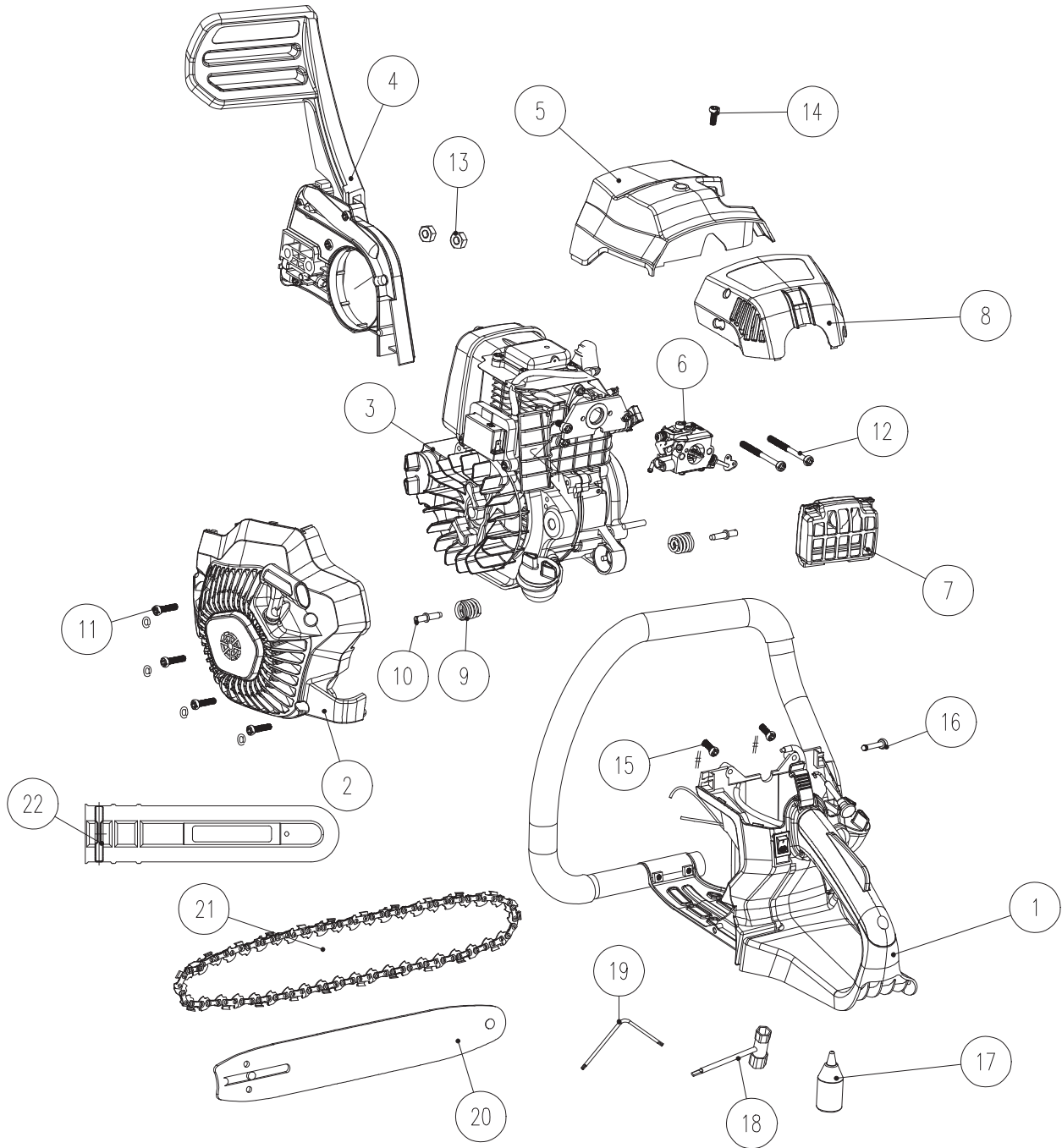
WARNING

Only perform the steps described within these instructions! All further inspection, maintenance and repair work must be performed by an authorized service center or a similarly qualified specialist if you cannot solve the problem yourself!

PROBLEM	CAUSE	SOLUTION
Engine does not start	<ol style="list-style-type: none"> 1. Dirty air filter. 2. Spark plug gap is incorrect 3. Out of fuel. 4. Water in fuel. 5. Spark plug is damaged. 6. Spark plug connector loose. 7. Carburetor is flooded with fuel 	<ol style="list-style-type: none"> 1. Clean/replace air filter. 2. Set the gap between electrodes a 0.027-0.031in. (0.7-0.8 mm). 3. Fill fuel tank. 4. Empty fuel tank and refill tank with fresh, clean gasoline. 5. Replace spark plug. 6. Attach properly. 7. Remove air filter and pull starter grip and rope continuously until carburetor clears itself and install air filter.
Engine stops	<ol style="list-style-type: none"> 1. Out of fuel. 	<ol style="list-style-type: none"> 1. Fill fuel tank.
Engine difficult to start or loses power	<ol style="list-style-type: none"> 1. Dirt, water or stale fuel in the tank. 2. Dirty air filter. 3. Vent hole in fuel tank cap is clogged. 	<ol style="list-style-type: none"> 1. Drain fuel and clean tank, fill tank with clean, fresh fuel. 2. Clean/replace air filter. 3. Clean or replace the fuel tank cap.
Excessive Vibration	<ol style="list-style-type: none"> 1. Saw chain is damaged. 2. Bolts/nuts are loose. 	<ol style="list-style-type: none"> 1. Replace chain. 2. Tighten bolts/nuts.
Engine overheats	<ol style="list-style-type: none"> 1. Air vent are clogged. 2. Spark plug gap is incorrect 3. Saw chain is blocked with debris. 	<ol style="list-style-type: none"> 1. clean the air vent. 2. Set the gap between electrodes at 0.027-0.031in. (0.7-0.8 mm). 3. Remove the blockage.

PARTS

EXPLODED VIEW



PARTS LIST

No.	Part #	Description	Qty.
1	199004000716	Rear handle	1
2	199096000114	Initiator	1
3	103001000353	Engine Head Assembly	1
4	199001000548	End cap assembly	1
5	202030001847	Cover	1
6	199064000065	Carburetor	1
7	199077000019	Air Filter	1
8	202030001848	Air filter cover	1
9	8342-966004-0000000	Rear handle damping spring	2
10	8206-965105-0000000	Long set screw	2
11	8SJJD05-20D	Pan Head Grooved Screw	4
12	8SJJD05-40D	Torx screw in pan head	2
13	8NG-08D	Hex Flange Nut	2
14	8SJJD05-12D	Pan Head Grooved Screw	1

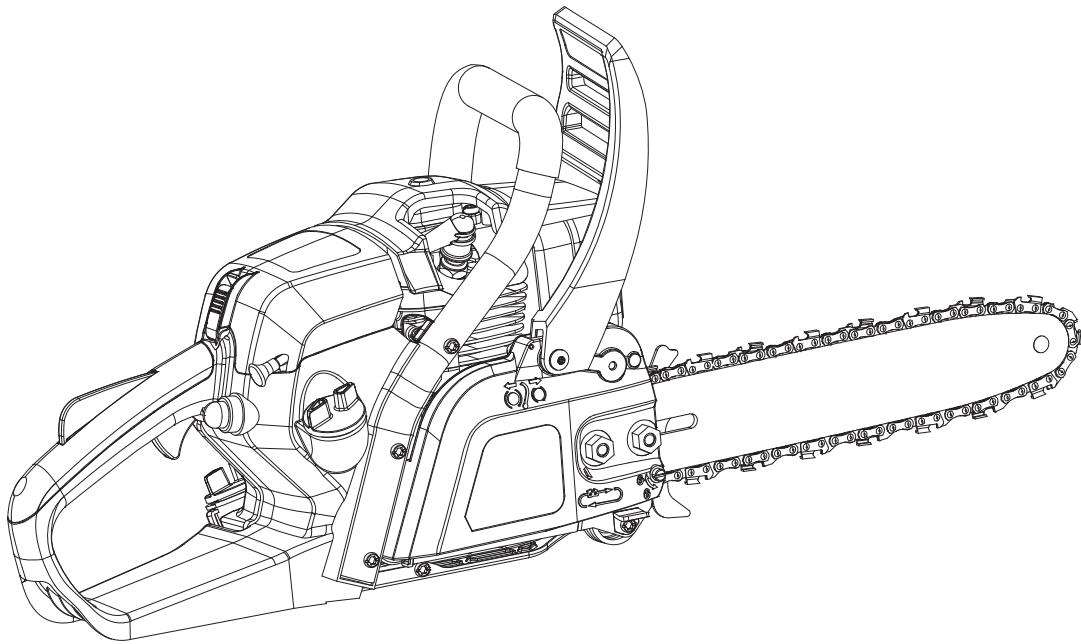
No.	Part #	Description	Qty.
15	8SJJB50-12D	Pan Head Grooved Screw	2
16	8SJJB50-30D	Pan Head Slotted Internal Pattern Screw	1
17	208043000002	Oiler	1
18	8261-966001-0000000	Spark plug wrench	1
19	8261-902101-0000000	Torx wrench	1
20	243-0175	Guide bar	1
21	243-0036	Saw chain	1
22	202009000169	Guide bar cover (scabbard)	1



49cc Chain Saw

MANUAL DEL OPERA-
DOR

Modelo: CS4QL-L1



SENIX TOOLS 6441 Hendry Rd. Charlotte, NC. 28269

Si necesita asistencia al cliente, llame al 1-855-755-4663 o envíe un correo electrónico a support@senixtools.com

PRECAUCIÓN: ANTES DE USAR ESTE PRODUCTO, LEA ESTE MANUAL Y
SIGA TODAS LAS MEDIDAS DE SEGURIDAD Y LAS INSTRUCCIONES DE USO.

• SEGURIDAD Y SÍMBOLOS INTERNACIONALES •

En el producto, en la etiqueta de características y en estas instrucciones encontrará los símbolos y las abreviaturas siguientes, entre otros. Familiarícese con estos para reducir peligros tales como lesiones personales y daños a la propiedad.



Precaución / Advertencia.



Posición de estrangulación: CERRADA



Advertencia: ¡Consulte / Lea el manual de instrucciones!



Posición de estrangulación: ABIERTA



Use lentes de seguridad y protección auditiva.



ADVERTENCIA: El contacto con la punta puede hacer que la barra de la cadena se mueva repentinamente hacia arriba y hacia atrás, lo cual puede causar lesiones graves.



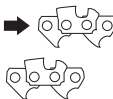
Use guantes de protección.



Presione la perilla de cebado, despacio y hasta el tope.



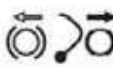
Use calzado de protección antirresbalante.




Dirección correcta de los dientes de corte.



Ninguna llama expuesta en el área de trabajo que rodea al producto.



Freno de la cadena (el símbolo  muestra la posición en la que se libera el freno)



No fume en el área de trabajo, alrededor del producto y en la vecindad de materiales inflamables.



¡Superficie caliente, no tocar! Altas temperaturas en las superficies y las piezas estructurales del producto, las cuales pueden causar quemaduras si se tocan. ¡El producto también se puede mantener caliente durante un periodo de tiempo prolongado después de la operación!



Depósito de aceite de motor de 4 tiempos



Depósito de combustible del motor



Se debe evitar el contacto de la punta de la barra guía con cualquier objeto.



Depósito de aceite de lubricación de la cadena



Siempre use el producto con ambas manos. No use el producto con una sola mano.



No mezcle gasolina con aceite. Use gasolina sin plomo con un 10% o menos de etanol.

ÍNDICE

ADVERTENCIAS DE SEGURIDAD.....	31
CONOZCA SU UNIDAD.....	38
ESPECIFICACIONES.....	39
OPERACIÓN	42
MANTENIMIENTO	50
GARANTÍA	54
TRANSPORTE.....	55
PIEZAS.....	56

ADVERTENCIAS DE SEGURIDAD

Advertencias de seguridad para motosierras de gasolina

1. Este producto es peligroso si se usa de manera descuidada o incorrecta y puede causar lesiones graves o incluso mortales.
2. Lea atentamente todas las instrucciones. Cuando use productos alimentados con gasolina, siempre siga las precauciones de seguridad indicadas para reducir el riesgo de lesión personal grave o de daño al producto.
3. El producto solo debe ser utilizado por personas que hayan leído y entendido todas las instrucciones de seguridad y de uso que aparecen en este manual. Las regulaciones locales pueden restringir la edad del operador.
4. Mantenga su área de trabajo sin presencia de mascotas, animales, niños y transeúntes.
5. Siga las instrucciones de lubricación, tensado de la cadena y cambio de accesorios. Una cadena mal tensada o mal lubricada puede romperse o aumentar la posibilidad de retorno. Ello puede hacer que la cadena se rompa, causando lesiones graves o incluso mortales.
6. El uso de este producto en un área cerrada o mal ventilada puede provocar la muerte por asfixia o por intoxicación con monóxido de carbono. El producto solo se debe usar al aire libre.
7. Tenga extremo cuidado en condiciones climáticas de humedad o congelación. No trabaje en condiciones de lluvia, viento o tormenta.
8. Use una máscara facial respiratoria. El uso de este producto puede generar gases de escape, niebla de aceite de lubricación y aserrín, los cuales contienen sustancias químicas conocidas por ser causa de daños respiratorios.
9. Use calzado de seguridad con casquillo de acero, ropa de protección robusta, resistente al corte y de ajuste ceñido, guantes de protección y dispositivos de protección de los ojos, los oídos y la cabeza.
10. Siempre inspeccione visualmente el producto antes de usarlo.
11. No intente hacer ninguna tarea para la que no esté debidamente capacitado.
12. No permita que haya otras personas cerca cuando arranque o use el producto.
No use el producto si este tiene dispositivos de seguridad defectuosos o piezas dañadas.
13. No modifique el producto bajo ninguna circunstancia. Las modificaciones pueden causar lesiones personales graves o la muerte.
14. Comience a cortar cuando disponga de un área de trabajo despejada, una posición firme y una ruta de retirada planificada cuando derribe el árbol.
15. Todo el trabajo de reparación y mantenimiento del producto, excepto para los artículos que se mencionan en el manual del usuario y en las instrucciones de seguridad y mantenimiento, debe ser llevado a cabo por un centro de servicio autorizado.
16. El usuario que usa el equipo por primera vez debe recibir formación práctica en el uso del producto y los equipos de

protección, impartida por un operador experimentado.

17. Las regulaciones nacionales pueden restringir el uso del producto.
18. No opere la motosierra con una sola mano. La operación del producto con una sola mano puede causar lesiones al operador, a los ayudantes, a los transeúntes o a cualquier combinación de estos. La motosierra está prevista para ser usada con ambas manos.
19. No opere la motosierra si se siente fatigado.
20. No permita que haya otras personas cerca de la motosierra cuando la arranque o la use. Mantenga a los transeúntes y a los animales fuera del área de trabajo.
21. Cuando transporte su motosierra, use la funda de barra guía adecuada.
22. Todas las reparaciones de la motosierra, excepto para los artículos que se mencionan en las instrucciones de mantenimiento del manual de instrucciones, deben ser llevadas a cabo por un personal de servicio de motosierras competente. (Por ejemplo, si se usan herramientas inadecuadas para retirar el volante o si se usa una herramienta inadecuada para sujetar el volante con el fin de retirar el embrague. Es posible que ocurran daños estructurales en el volante que pueden provocar su rotura.)

Manipulación del combustible

1. Siempre apague el producto y espere a que se enfríe antes de reabastecerlo de combustible. El combustible y el vapor de combustible son muy inflamables. Tenga cuidado cuando manipule el combustible. Nunca fume cuando reabastece el producto de combustible. No reabastezca el producto de combustible si hay un incendio al aire libre en la vecindad.
2. Siempre use accesorios previstos para ese fin, como embudos y bocas de llenado. No derrame combustible sobre el producto ni sobre su sistema de escape. Existe el riesgo de ignición. Retire con cuidado el combustible derramado de todos los componentes del producto. Antes de arrancar la unidad,

colóquela a una distancia segura del punto de reabastecimiento de combustible.

3. Mantenga las asas secas, limpias y sin aceite o combustible.
4. Nunca use el producto en entornos donde exista el riesgo de explosión. Los gases de escape y los humos de combustible son nocivos. Los humos de combustible pueden incendiarse.
5. Nunca llene el depósito en espacios cerrados, como sótanos o cobertizos. Existe el riesgo de intoxicación y explosión.
6. Evite el contacto con gases.
7. No coma ni beba mientras reabastece de combustible el producto. Si ingirió gas o aceite o estos entraron en contacto con sus ojos, acuda al médico.
8. Cierre el tapón del depósito de inmediato después de llenarlo. Asegúrese de que el depósito esté adecuadamente cerrado.
9. Nunca use el producto sin filtro de aire.
10. En dependencia del combustible utilizado, de las condiciones climáticas y del sistema de ventilación del depósito de combustible, es posible que se acumule presión de vapor dentro del depósito. Para reducir el riesgo de quemaduras y de otras lesiones personales, retire el tapón del depósito de combustible con cuidado para permitir que la presión acumulada se libere lentamente.
11. Preste atención a los riesgos de incendio, explosión e inhalación.
12. Asegúrese de que el cable de la bujía esté firme; un cable flojo puede causar arcos eléctricos que pueden incendiar los humos de combustible, causando incendio o explosión.
13. Revise el producto regularmente para detectar fugas en el tapón del depósito y las tuberías de combustible.
14. Apriete el tapón del depósito de combustible después de llenar el depósito.
15. No use el producto si este tiene fuga de combustible. Nunca retire el tapón del depósito de combustible con el motor arrancado.
16. Use solo recipientes aprobados.
17. No almacene latas de combustible ni llene el depósito de combustible en

ningún lugar en que haya una caldera, una estufa, fuego de leña, chispas eléctricas, chispas de soldadura u otras fuentes de calor o de incendio que puedan inflamar el combustible.

18. Si ha derramado combustible sobre su cuerpo o su ropa, cámbiese de ropa y lave cualquier parte de su cuerpo que haya entrado en contacto con el combustible antes de volver a encender la máquina.
19. Si el combustible se enciende, apague las llamas con un extintor de polvo químico seco.
20. El drenaje del depósito de combustible se debe llevar a cabo al aire libre.
21. Tenga cuidado cuando manipule el combustible. Antes de arrancar el motor, coloque la motosierra al menos a 10 pies (3 m) del punto de abastecimiento de combustible.

Inicio

1. No use el producto en interiores, ya que este despidе humos de escape tóxicos mientras el motor funciona, los cuales pueden ser incoloros e inodoros.
2. No enrolle la cuerda de arranque retráctil alrededor de su mano mientras arranca el producto. Ello puede causar lesiones en la mano o los dedos.
3. Mantenga las asas secas, limpias y sin aceite o grasa. Las asas grasosas son resbalosas y causan la pérdida de control.
4. No use el producto con una cadena holgada. Una cadena holgada puede salirse de la barra guía y causar lesiones graves o incluso mortales.
5. Mantenga todas las partes del cuerpo alejadas de la cadena de aserrado cuando esté en funcionamiento. Antes de arrancar la motosierra, asegúrese de que la cadena de aserrado no esté en contacto con ningún objeto y de que no haya ninguna obstrucción. Un momento de descuido mientras opera la motosierra, puede hacer que la cadena de aserrado se enrede con su ropa o su cuerpo.
6. Apague el motor antes de colocar el producto en el suelo.
7. Antes de usar el producto y después de cualquier impacto o caída que este

sufra, compruebe si hay signos de desgaste o daño y efectúe las reparaciones necesarias.

Operación

1. Cuando asierre, asegúrese de que el producto no esté en contacto con ningún material, como rocas, cercas, clavos, etc. Dichos objetos pueden salir despedidos, pudiendo provocar daños al producto, lesiones personales graves o incluso la muerte.
2. Nunca use el producto sobre un escalera de mano ni ningún otro soporte poco firme.
3. Si la cadena se atasca en el corte: DETENGA EL MOTOR. No intente jalar el producto para liberarlo. Use una palanca para abrir el corte y liberar la cadena. De no hacerlo, puede provocar lesiones graves o la muerte.
4. Solo asierre con el motor funcionando a alta velocidad.
5. Tenga una precaución extrema cuando asierre maleza y plántones de pequeño tamaño. El material más delgado puede quedar atrapado en la cadena de aserrado y saltar hacia usted o hacerle perder el equilibrio.
6. Use el producto solo en áreas bien ventiladas.
7. Este producto está previsto para ser usado solo con ambas manos, con su mano derecha en el asa posterior y su mano izquierda en el asa anterior. Usted no puede controlar las fuerzas de reacción y podría perder el control de la sierra, lo cual puede causar la sacudida o el rebote de la barra y de la cadena a lo largo de la rama o el tronco.
8. No use el producto si tiene alguna afección médica que pueda agravarse debido al trabajo intenso. Consulte a su médico antes de usar este producto.
9. No utilice el producto bajo la influencia de drogas, alcohol o medicamentos.
10. No toque el silenciador ni el escape durante el uso; ESTOS SE CALIENTAN EXCESIVAMENTE.
11. No use el producto si está dañado, incorrectamente ajustado o no ensamblado completa y firmemente. Asegúrese de que la cadena de aser-

rado deja de moverse cuando se libera el gatillo de aceleración.

12. No opere este producto en un árbol a menos que haya sido específicamente capacitado para ello. La operación del producto mientras está trepado encima de un árbol puede traer consigo lesiones personales.
13. No use el producto cerca o alrededor de líquidos o gases inflamables.
14. No fume mientras usa el producto.
15. No agarre las asas con una presión constante o excesiva, ya que ello aumentará la sensación de vibración y el riesgo de enfermedad de los «dedos blancos».
16. No se estire demasiado para alcanzar cuando use el producto y no asierre por encima de la altura de los hombros.
17. No use el producto si este tiene fuga de combustible, de aceite del motor o de aceite de la cadena.
18. Cuando corte una rama que esté bajo tensión, esté alerta por si salta y vuelve a su lugar para que no sea golpeado cuando las fibras de madera tensadas se liberan.
19. Siempre mantenga su posición de pie y opere la motosierra sólo cuando esté sobre una superficie fija, segura y nivelada. Superficies resbalosas o inestables, como escaleras de mano, pueden causar una pérdida de equilibrio o control de la motosierra.
20. Úsela solamente para cortar madera. No use el producto para fines no previstos. Por ejemplo: no use la motosierra para cortar plástico, materiales de albañilería u otros materiales de construcción que no sean de madera. Uso de la motosierra para cortar plástico, materiales de albañilería o materiales de construcción que no son de madera. El uso de la motosierra para operaciones distintas de las previstas, podría provocar una situación peligrosa.

Transporte y almacenamiento

1. Asegúrese de que el motor esté apagado y active el freno de la cadena antes de transportar el producto.
2. Transporte el producto con el motor detenido, con la barra guía y la cadena

hacia atrás y el silenciador alejado de su cuerpo.

3. Use la cubierta de la barra guía y asegúrese de que esté colocada en el producto durante el transporte o el almacenamiento.
4. Solo transporte el producto en posición horizontal. Agarre el asa anterior de manera que el producto esté equilibrado horizontalmente.
5. Fije correctamente su producto cuando lo transporte en un vehículo para evitar que se vuelque y se dañe y que se derrame el combustible.
6. Siempre almacene el producto y el combustible de manera que no haya riesgo de fugas y que los humos no entren en contacto con chispas o llamas expuestas de equipos eléctricos, motores eléctricos, relés/interruptores, calderas, etc.
7. Para asegurar periodos de almacenamiento o transporte más largos, los depósitos de combustible, de aceite del motor y de aceite de la cadena se deben vaciar.
8. Almacene el combustible en un recipiente aprobado, diseñado específicamente para ese propósito.
9. Asegúrese de que el producto esté limpio antes de almacenarlo.

Causas y prevención del retorno por parte del operador



¡ADVERTENCIA!

Puede ocurrir retorno cuando la punta de la barra guía toca un objeto o cuando la madera se cierra y aprisiona la cadena en el corte.

El contacto con la punta en algunos casos puede causar una repentina reacción inversa, causando el retorno de la barra guía hacia arriba y hacia atrás en dirección del operador.

Si la cadena de aserrado queda aprisionada sobre la parte superior de la barra guía, esta podría empujar la barra guía rápidamente hacia atrás en dirección del operador.

Cualquiera de estas reacciones podría hacerle perder el control de la sierra, lo que podría causar una lesión personal grave. No se fíe exclusivamente de los dispositi-

vos de seguridad integrados en su sierra. Como usuario de una motosierra, debe tomar varias medidas para hacer que en sus trabajos de aserrado no ocurran accidentes o lesiones.



¡ADVERTENCIA!

- a) Con una comprensión básica del retorno, usted puede reducir o eliminar el elemento de sorpresa. La sorpresa súbita contribuye a los accidentes;
- b) Mantenga un agarre firme de la sierra con ambas manos, con la mano derecha en el asa posterior y la mano izquierda en el asa anterior cuando el motor esté funcionando. Mantenga un agarre firme con los pulgares y los otros dedos rodeando las asas de la motosierra. Un agarre firme lo ayudará a reducir el retorno y a mantener el control de la sierra. No afloje el agarre;
- c) Asegúrese de que el área en que asierre no tenga obstrucciones. No deje que la punta de la barra guía entre en contacto con un tronco, una rama o cualquier otra obstrucción que se pueda golpear mientras se usa la sierra;
- d) Asierre con el motor funcionando a alta velocidad;
- e) No se estire demasiado para alcanzar ni asierre por encima de la altura de los hombros;
- f) Siga las instrucciones de afilado y mantenimiento del fabricante para la cadena de aserrado;
- g) Sólo use barras y cadenas de repuesto de equipos originales que especifique el fabricante, o sus equivalentes.
Precaución: El usuario no debe usar cadenas de aserrado de repuesto, a menos que estas se hayan diseñado para cumplir con los requisitos de la ANSI B175.1- (revisión actual de la norma) en cuanto al comportamiento ante retornos para ese cabezal de motor específico, o se hayan diseñado como cadenas de sierra de poco retorno conforme a la ANSI B 175.1- (revisión actual de la norma);
Una cadena de aserrado de poco retorno es aquella que cumple con los requisitos de comportamiento ante retornos de la ANSI B 175.1 - (revisión

actual de la norma) (Norma nacional estadounidense para requisitos de seguridad de herramientas eléctricas y motosierras de gasolina), cuando se prueba en una muestra representativa de motosierras por debajo de las 3.8 pulgadas cúbicas de desplazamiento especificadas en la ANSI B 175.1- (revisión actual de la norma)



¡ADVERTENCIA!

¡Manténgase atento al retorno! ¡El retorno puede causar una pérdida peligrosa de control del producto que puede provocar lesiones graves o mortales al operador o a cualquier transeúnte cercano! ¡Manténgase siempre alerta porque el retorno giratorio y el retorno por aprisionamiento son peligros operativos importantes del producto y las causas principales de la mayoría de los accidentes!
Puede ocurrir retorno si la punta de la barra guía toca un objeto o si la madera aprisiona la cadena en el corte. En algunos casos, el contacto con la punta de la guía puede causar una repentina reacción inversa, haciendo que la barra guía retorne hacia arriba y hacia atrás en dirección del operador.
El aprisionamiento de la cadena de aserrado a lo largo de la parte inferior de la barra guía puede jalar el producto hacia adelante, en dirección opuesta al operador («sacudida»)
Si la cadena de aserrado queda aprisionada sobre la parte superior de la barra guía, esta podría empujar la barra guía rápidamente hacia atrás en dirección del operador («rebote»)
Cualquiera de estas reacciones podría hacer que pierda el control del producto, lo que podría causar una lesión personal grave o incluso la muerte. Con una comprensión básica del «retorno», se puede reducir o eliminar el elemento de sorpresa. La sorpresa súbita contribuye a la mayoría de los accidentes. Mantenga un agarre firme del producto con ambas manos, con la mano derecha en el asa posterior y la mano izquierda en el asa anterior cuando el motor esté funcionando. Mantenga un agarre firme con los pulgares y los otros dedos rodeando las asas. Un agarre firme lo ayudará a reducir el «retorno» y a man-

tener el control del producto. Debe leer detenidamente todas las advertencias de seguridad y las instrucciones del usuario antes de usar este producto.

Para evitar el retorno:

1. Asierre con la barra guía en ángulo llano.
2. Nunca trabaje con una cadena suelta, estirada o muy desgastada
3. Asegúrese de que la cadena esté correctamente afilada.
4. Nunca asierre por encima de la altura de los hombros.
5. Nunca asierre con la punta de la barra guía.
6. Siempre sujete el producto firmemente con ambas manos.
7. Siempre use una cadena de poco retorno.
8. Aplique los dientes de agarre metálicos como punto de apoyo de apalancamiento.
9. Asegúrese de que la cadena tenga la tensión correcta.
10. Solo asierre con el motor funcionando a alta velocidad.
11. No deje que la punta de la barra guía entre en contacto con un tronco, una rama o cualquier otra obstrucción que se pueda golpear mientras se usa el producto.
12. Siga las instrucciones de afilado y mantenimiento del fabricante para la cadena de aserrado.
13. Sólo use las barras y cadenas de repuesto que especifique el fabricante, o sus equivalentes.



¡ADVERTENCIA!

¡La mayoría de los accidentes por «retorno» ocurren durante el desrame! Preste estrecha atención a la posición de la zona de «retorno» de la barra cuando desrame ramas que están bajo tensión.

Reducción de la vibración y el ruido

Para reducir el impacto del ruido y la vibración, limite el tiempo de operación. Tenga en cuenta los siguientes aspectos para minimizar los riesgos de exposición a la vibración y al ruido:

1. Utilice el producto únicamente según lo previsto en su diseño y según estas

instrucciones.

2. Asegúrese de que el producto esté en buenas condiciones y reciba el mantenimiento correcto.
 3. Use la barra y la cadena correctas para el producto.
 4. Mantenga un agarre firme de las asas y de la superficie de agarre.
 5. Realice el mantenimiento de este producto de acuerdo con estas instrucciones y manténgalo bien lubricado.
 6. Planifique su horario de trabajo para distribuir cualquier uso de la herramienta a alta vibración a lo largo de un período de tiempo más largo.
 7. El uso prolongado del producto expone al usuario a vibraciones que pueden causar una serie de afecciones conocidas de conjunto como síndrome de vibración mano-brazo (SVMB); por ejemplo, los dedos se ponen blancos; así como enfermedades específicas como el síndrome del túnel carpiano.
- Para reducir este riesgo al usar el producto, use siempre guantes protectores y mantenga las manos calientes.
 - Los síntomas del SVMB incluyen cualquier combinación de lo siguiente: Hormigueo y entumecimiento de los dedos; cierta pérdida de sensibilidad; pérdida de fuerza en las manos; los dedos se vuelven blancos (blanqueamiento) y se vuelven rojos y dolorosos al recuperarse (particularmente cuando hay frío y humedad, y probablemente sólo en las puntas al principio). Obtenga asesoría médica inmediatamente si presenta estos síntomas.

Emergencia

Familiarícese con el uso de este producto mediante este manual de instrucciones. Memorice las instrucciones de seguridad y sígalas al pie de la letra. Esto ayudará a prevenir riesgos y peligros.

1. Siempre esté alerta cuando utilice este producto para que pueda reconocer y manejar los riesgos a tiempo. Una intervención rápida puede prevenir lesiones graves y daños a la propiedad.
2. Detenga el motor y desconecte la bujía en caso de mal funcionamiento. Asegúrese de que el producto sea revisado por un profesional calificado y

que sea reparado, si es necesario, antes de volver a operarlo.

3. En caso de incendio, detenga el motor. Tome de inmediato las medidas de extinción de incendios si el interruptor del producto deja de estar accesible.



¡ADVERTENCIA!

Nunca use agua para extinguir el incendio de un producto. El incendio del combustible se debe extinguir con agentes de extinción especiales. ¡Le recomendamos que mantenga un extintor de incendio a su alcance en el área de trabajo!

Riesgos residuales

Incluso si usa este producto de acuerdo con todos los requisitos de seguridad, siempre existen posibles riesgos de lesiones y daños. La estructura y el diseño de este producto pueden dar lugar a los siguientes peligros:

1. Problemas de salud debidos a vibraciones si el producto se usa durante un largo período de tiempo o no recibe el correcto manejo y mantenimiento.
2. Lesiones y daños a la propiedad debido a una barra rota o desgastada o al impacto repentino de objetos ocultos durante el uso.
3. Peligro de lesión y daño a la propiedad causados por objetos que salen despedidos.
4. El uso prolongado de este producto expone al operador a vibraciones y puede provocar la enfermedad del «dedo blanco». Para reducir el riesgo, use guantes y mantenga las manos calientes. Si aparece alguno de los síntomas del «dedo blanco», consulte a un médico inmediatamente. Los síntomas del «dedo blanco» son: entumecimiento, pérdida de sensibilidad, hormigueo, pinchazos, dolor, pérdida de fuerza, cambios en el color o el estado de la piel. Estos síntomas normalmente aparecen en los dedos, las manos o las muñecas. El riesgo aumenta a bajas temperaturas.



¡ADVERTENCIA!

¡Este producto genera un campo electromagnético durante el funcionamiento!
¡Este campo puede interferir en algunas

circunstancias con implantes médicos activos o pasivos! Para reducir el riesgo de lesiones graves o mortales, recomendamos a las personas con implantes médicos que consulten a su médico y al fabricante del implante antes de operar este producto.

Uso previsto

Esta sierra de gasolina está clasificada por la CSA como una sierra de Clase 1C. Está prevista para ser utilizada de manera infrecuente por propietarios de viviendas, residentes de casas rurales y campistas, y para aplicaciones generales tales como desbroce, poda, corte de leña, etc. No está prevista para un uso prolongado. Los periodos de operación prolongados pueden causar problemas circulatorios en las manos del usuario debido a la vibración.



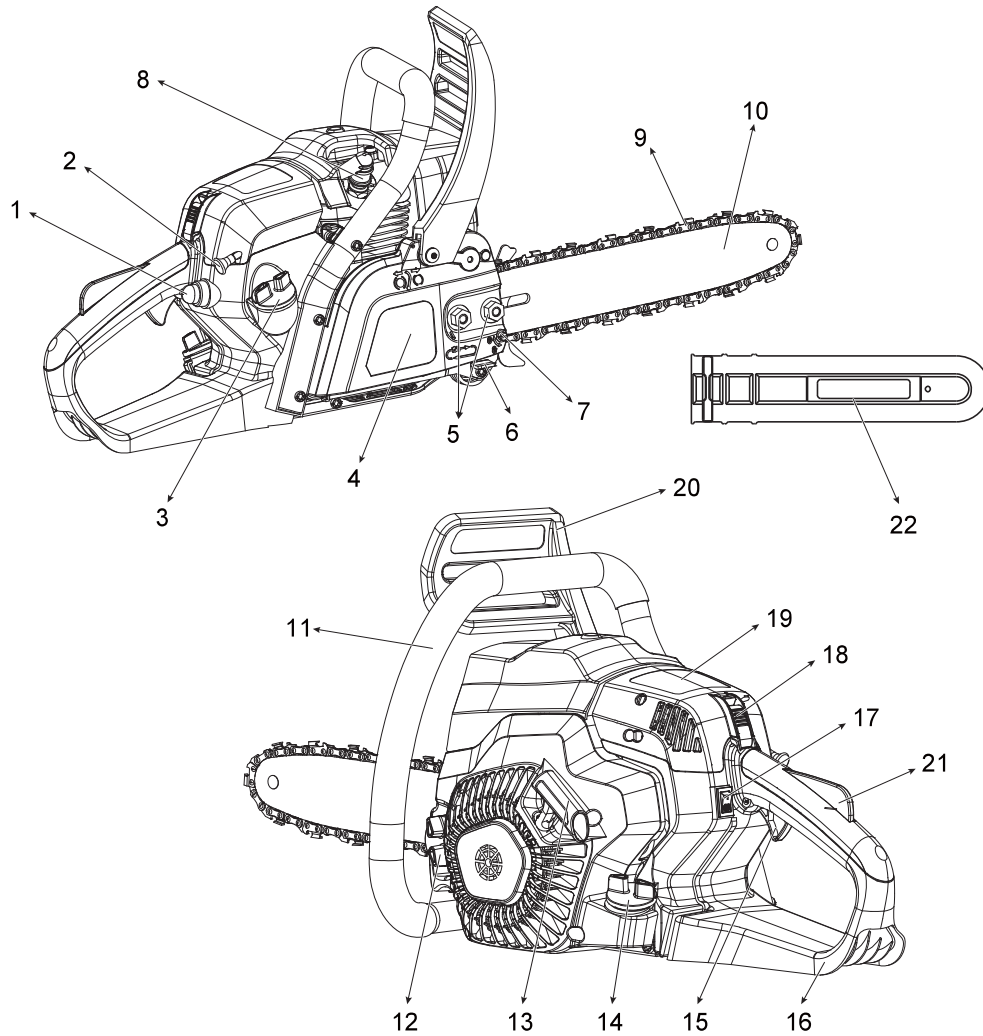
¡ADVERTENCIA!

Las motosierras se deben usar de conformidad con las instrucciones de uso y las precauciones de seguridad que aparecen en el(los) manual(es) del usuario. El propietario será responsable de asegurar que dichas instrucciones y precauciones se entreguen a cada operador que use la sierra.

CONOZCA SU UNIDAD

Modelo: CS4QL-L1

Para desrame, tala y corte de madera básicos.



1	Perilla de cebado	12	Tapón del depósito de aceite de la cadena
2	Perilla de estrangulación	13	Mango y cuerda de arranque
3	Tapón del depósito de combustible	14	Tapón del depósito de aceite del motor (de color negro)
4	Cubierta del embrague	15	Gatillo de aceleración
5	Tuercas de montaje de la barra	16	Asa posterior
6	Resguardo de la cadena	17	Interruptor de encendido/apagado
7	Tornillo de ajuste de tensión de la cadena	18	Palanca del filtro de aire
8	Bujía	19	Cubierta del filtro de aire
9	Cadena de aserrado	20	Freno de la cadena
10	Barra guía	21	Seguro del gatillo
11	Asa anterior	22	Cubierta de la barra guía (funda)

ESPECIFICACIONES*

Modelo	CS4QL-L1
Desplazamiento del motor	49cc
Potencia de entrada nominal	1600 W
Velocidad sin carga	9000±10% rpm
Velocidad máxima de la cadena	18.1 m/s
Capacidad del depósito de aceite del motor	3.38 oz. (100 ml)
Capacidad del depósito de aceite de la cadena	10.15 oz. (300 ml)
Capacidad del depósito de combustible	13.53 oz. (400 ml)
Modelo de la cadena de aserrado:	91PJ062X OREGON
Modelo de la barra guía	180SDEA041 OREGON
Radio de la punta de la barra	0.67" (17 mm)
Longitud de la barra	18" (457 mm)
Longitud de corte	15.98" (406 mm)
Peso de la máquina (con cadena/barra)	13.58 lb (6.16 kg)

DESEMBALAJE

Antes de usar este producto, familiarícese con todas las funciones de operación y las reglas de seguridad.

Motosierra

Antes de comenzar el trabajo, inspeccione la motosierra en busca de daños en la carcasa, en la cadena de aserrado y en la barra guía. Nunca use una máquina visiblemente dañada.

Perilla de estrangulación

La perilla de estrangulación abre y cierra la válvula de estrangulación en el carburador. Las posiciones disponibles son FULL CHOKE (estrangulación total) y RUN (funcionamiento).

Llave de bujía y llave torx

Se suministra una herramienta de llave de bujía y de llave torx, la cual se utiliza en varios procedimientos de mantenimiento.

Además, la llave de bujía se puede usar para ajustar la tensión de la cadena.

Freno de la cadena / protector delantero

El freno de la cadena está diseñado para detener rápidamente la rotación de la cadena. Cuando el freno de la cadena / protector delantero se empuja hacia adelante, la cadena se debe detener de inmediato. El freno de la cadena no evita el retorno.

Cadena de aserrado

Revise la tensión y el estado de la cadena. Mientras más afilada esté la cadena de aserrado, más fáciles y manejables serán las operaciones. Lo mismo ocurre con la tensión de la cadena. Revise la tensión cada 10 minutos de operación para maximizar la seguridad. Particularmente, las nuevas cadenas de aserrado están sujetas a cambios debido al calor creado por la operación.

Perilla de cebado

La perilla de cebado bombea combustible desde el depósito de combustible hasta el carburador.

Gatillo de aceleración

El gatillo de aceleración se utiliza para controlar la velocidad de la cadena.

Ropa de protección

Asegúrese absolutamente de usar ropa ajustada apropiada, como pantalones protectores, guantes y calzado de seguridad. Use un casco, protección auditiva y protección facial para protegerse contra las ramas que caen y que retroceden.

Cubierta de la barra guía

Alinee y presione la cubierta de la barra guía sobre la cadena y la barra guía para fijarla.

ADVERTENCIA

Si alguna pieza de la motosierra falta o está dañada, no use la motosierra hasta que se repare o reemplace dicha pieza.

NOTA: El aceite para cadena y barra no está incluido. Debe llenar el depósito de aceite de la cadena con aceite para barra y cadena.

NOTA: Retire la cubierta de la barra guía antes del uso.

Lista de embalaje

Motosierra de 49 cc	X1
Botella de aceite para motor	X1
Llave Torx	X1
Llave de bujía	X1
Cubierta de la barra guía	X1
Guía de inicio rápido	X1
Manual de operación	X1

La motosierra se entrega completamente ensamblada. NO deseche la caja ni los materiales de embalaje hasta que haya examinado todas las piezas.

Tensado de la cadena

ADVERTENCIA

Los bordes de corte de la cadena son filosos. Use guantes protectores cuando manipule la cadena.

ADVERTENCIA

SIEMPRE mantenga una tensión adecuada en la cadena. Una cadena suelta aumenta el riesgo de retorno. Una cadena suelta puede salirse de la ranura de la barra guía. Esto puede lesionar al operador y dañar la cadena. Una cadena suelta puede hacer que la cadena, la barra guía y el piñón se desgasten rápidamente. La vida útil de la cadena de aserrado depende de que haya una lubricación suficiente y se realice un tensado correcto. Evite tensionar la cadena si esta está caliente, ya que ello hará que la cadena se tense en exceso cuando se enfríe.

1. Verifique la tensión de la cadena de aserrado jalándola en sentido opuesto a la barra guía. Una cadena correctamente tensada debe tener aproximadamente 0.12 pulgada (3 mm) de distancia entre sí misma y la guía de la barra (Fig. 1).

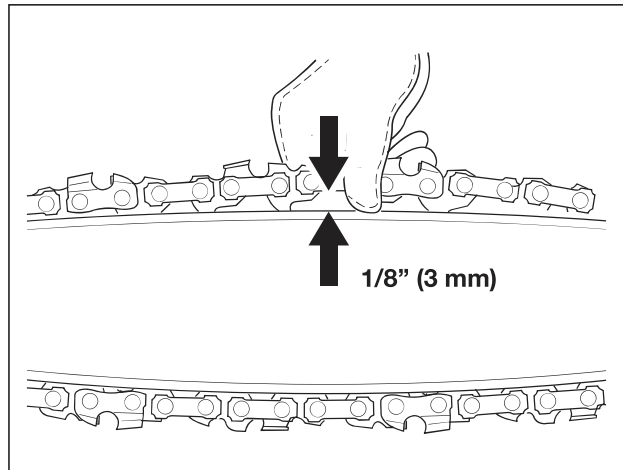


Fig. 1

2. Si es necesario hacer ajustes, primero afloje las tuercas de montaje de la barra y luego afloje el tornillo de tensión de la cadena de aserrado girándolo en sentido antihorario con la llave de bujía (Fig. 2).

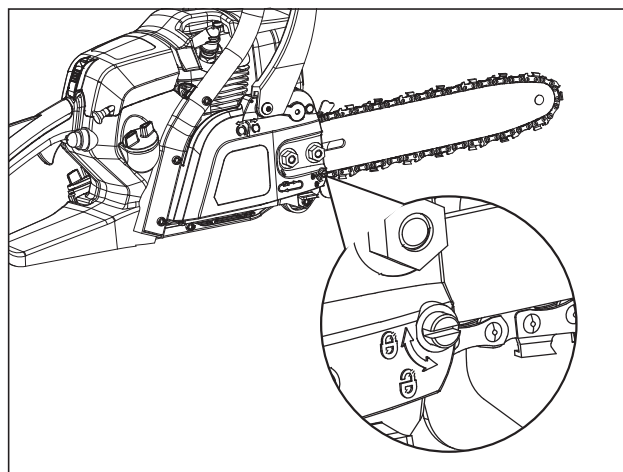


Fig. 2

3. No tense excesivamente la cadena: esto provocará un desgaste excesivo y reducirá la vida útil de la barra y la cadena.

Nota: La cadena de aserrado debe estar correctamente tensada para poder asegurar una operación segura. Debido a que la cadena de aserrado se calienta durante la operación, su longitud puede, por tanto, fluctuar. Revise la tensión de la cadena cada 10 minutos de operación y ajuste según sea necesario, particularmente para las nuevas cadenas de aserrado. Afloje la cadena de aserrado luego de haber completado el trabajo, ya que se acorta cuando se enfría. Al hacerlo, podrá aumentar la vida útil de la cadena y evitar daños.

General

1. Antes de cada uso, verifique la motosierra, la barra y la cadena para detectar posibles daños. No use el producto si está dañado o muestra signos de desgaste.
2. Compruebe el nivel de combustible, el nivel de aceite del motor y el nivel de aceite de la cadena; rellene si es necesario.
3. Siempre sujete el producto por las asas. Mantenga las asas secas y sin lubricante para asegurar un soporte seguro.
4. Asegúrese de que el filtro de aire siempre esté desobstruido y despejado. Límpielo si es necesario con un cepillo suave. Un filtro de aire bloqueado puede causar sobrecalentamiento y dañar el producto.
5. Apague el producto de inmediato si otras personas que entran al área de trabajo lo perturban mientras usted trabaja. Siempre espere a que el producto se detenga completamente antes de ponerlo en el suelo.
6. No trabaje en exceso. Tome pausas regulares para asegurar su concentración en el trabajo y el control total del producto.



ADVERTENCIA

Algunas comunidades tienen regulaciones que definen el horario del día y los días especiales en que se permite el uso de los productos, así como las restricciones que se aplican. Pida información detallada a su comunidad y respete las regulaciones con el fin de preservar la tranquilidad del vecindario y evitar cometer infracciones administrativas.

Comprobación del aceite del motor (tapón negro)

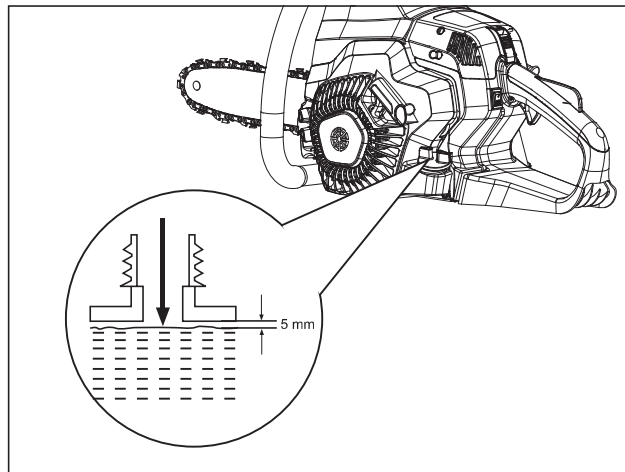


Fig. 3

1. Para el primer uso: Abra el tapón del depósito de aceite del motor, vierta 100 ml de aceite para motor de 4 tiempos (incluido) en el depósito de aceite del motor.
2. Para uso posterior: Abra el tapón del depósito de aceite del motor y verifique el nivel de aceite. Si el nivel de aceite está más de 0.39 - 0.79 pul. (10 - 20 mm) por debajo de la rosca, llene el depósito de aceite.

2. No llene por encima del límite y deje un espacio de 0.20 pul. (5 mm) aproximadamente entre la parte superior del aceite y el borde interno del depósito para permitir la expansión (Fig. 3).
3. Apriete firmemente el tapón.

Aceite de lubricación de la cadena



ADVERTENCIA

El producto no tiene aceite de la barra y la cadena. Es esencial llenar el producto con aceite para barra y cadena antes de usarlo. Nunca opere el producto sin aceite de la barra y la cadena, ya que ello le causará a este un daño considerable.

Si el nivel de aceite disminuye por debajo de un cuarto de su capacidad, rellénelo con aceite adecuado para barra y cadena. Para llenar el depósito de aceite:

Si opera la cadena de aserrado en seco o con muy poco aceite de la barra y la cadena, se reducirá la eficiencia de aserrado, se acortará la vida útil del producto y la cadena de aserrado y la barra guía se desgastarán rápidamente debido al sobrecalentamiento.

Una cantidad insuficiente de aceite de la barra y la cadena hace que el producto despidan humo y que la barra se decolore. Una lubricación adecuada de la cadena durante las operaciones de aserrado es esencial para minimizar la fricción con la barra guía.

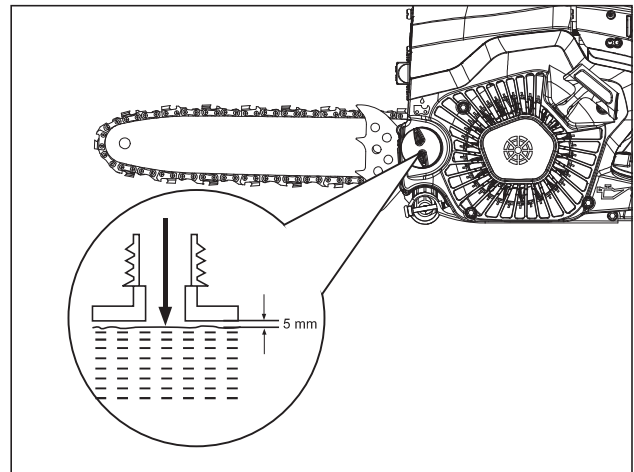


Fig. 4

1. Coloque la unidad de manera que el tapón del depósito de aceite de la barra y la cadena quede orientado hacia arriba.
2. Abra el tapón y compruebe el nivel de aceite. Si el nivel de aceite está más de 0.39 - 0.79 pul. (10 - 20 mm) por debajo de la rosca, llene el depósito.
3. No llene por encima del límite y deje un espacio de 0.20 pul. (5 mm) aproximadamente entre la parte superior del aceite y el borde interno del depósito para permitir la expansión (Fig. 4).
4. Apriete firmemente el tapón.

Nota: Se recomienda el uso de aceite para barra y cadena.

Llenado del combustible

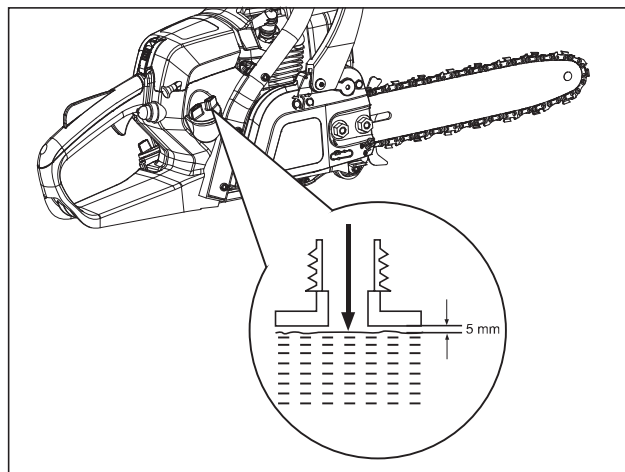


Fig. 5



ADVERTENCIA

Compruebe si hay fugas de combustible. Si el tapón, depósito o conducto de combustible presentan fugas constituyen un peligro de incendio y deben reemplazarse inmediatamente. Si encuentra alguna fuga, corrija el problema antes de utilizar el producto. Si no lo hace, se puede producir un incendio que podría causar lesiones personales graves.



ADVERTENCIA

La gasolina y sus vapores son altamente inflamables y explosivos. Para evitar lesiones personales graves y daños a la propiedad, manipúlela con cuidado. Manténgala alejada de las fuentes de ignición y de las llamas expuestas; manipúlela solo al aire libre, no fume y seque los derrames de inmediato.

1. Coloque la unidad de manera que el tapón del depósito de combustible quede orientado hacia arriba y luego retire el tapón del depósito de combustible.
2. Añada combustible sin plomo (10% de etanol o menos), con cuidado y sin sobrepasar el límite. Deje un espacio de 0.20 pul. (5 mm) aproximadamente entre la parte superior del combustible y el borde interno del depósito para permitir la expansión (Fig. 5).
3. Apriete firmemente el tapón del depósito de combustible.

NOTA: Es normal que el motor despidiera humo durante y después del primer uso.



ADVERTENCIA

Siempre apague el motor antes de añadirle combustible. Nunca retire el tapón del depósito de combustible ni añada combustible a una máquina con el motor funcionando o caliente. Asegúrese de que la unidad esté colocada sobre una superficie plana y nivelada y solo añada combustible al aire libre. Si el motor está caliente, deje que se enfríe durante al menos cinco minutos antes de añadirle combustible. Vuelva a colocar

inmediatamente el tapón del depósito de combustible y apriételo firmemente. Aléjese al menos 118.1 pul (3 m) del sitio de reabastecimiento antes de arrancar el motor. No fume y manténgase alejado de llamas expuestas y chispas. Si no sigue estas instrucciones, puede causar un incendio que podría traer consigo lesiones personales graves.

Arranque con el motor frío

1. Jale hacia atrás con cuidado el freno de la cadena, en dirección del asa anterior (Fig. 6.)

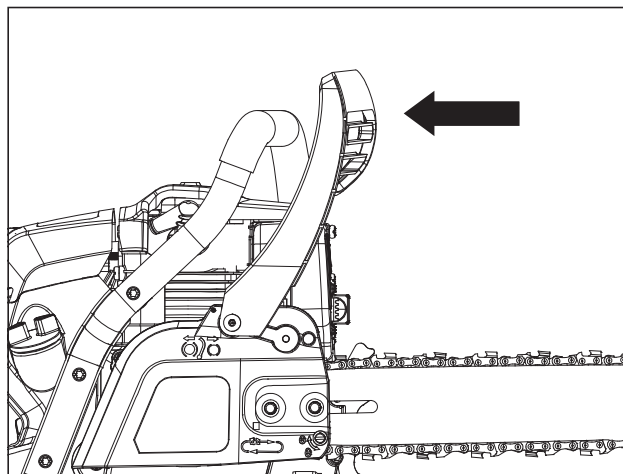


Fig. 6

2. Presione la perilla de cebado de 6 a 10 veces, de manera lenta pero firme, hasta que el combustible entre en dicha perilla (Fig. 7).
3. Jale la perilla de estrangulación completamente hacia afuera, hasta la posición FULL CHOKE (estrangulación total) (Fig. 7).

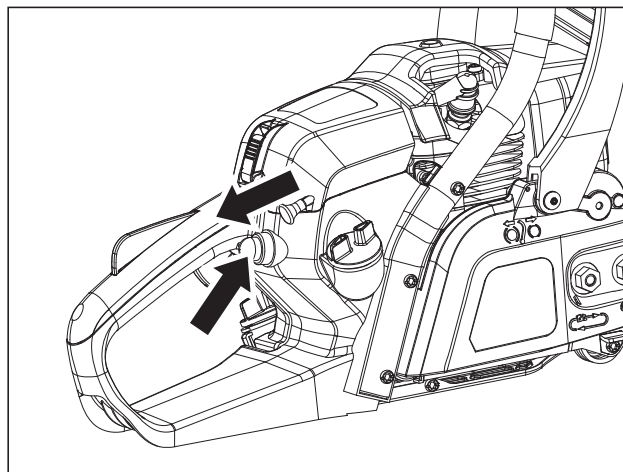


Fig. 7

4. Sujete el producto firmemente con la mano izquierda en el asa anterior y con el pie derecho sobre el protector trasero y sin tocar el gatillo de aceleración; jale el mango y la cuerda de arranque hasta que el motor intente arrancar 5 veces (Fig. 8).
5. Presione la perilla de estrangulación hasta la posición RUN (funcionamiento) (Fig. 9).
6. Luego jale la cuerda de arranque hasta que el motor arranque.

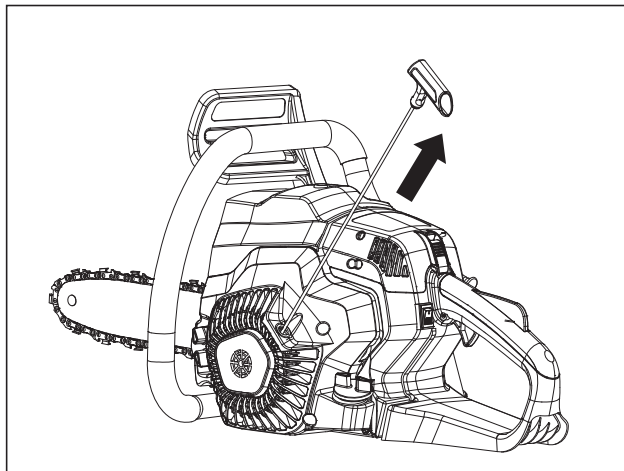


Fig. 8

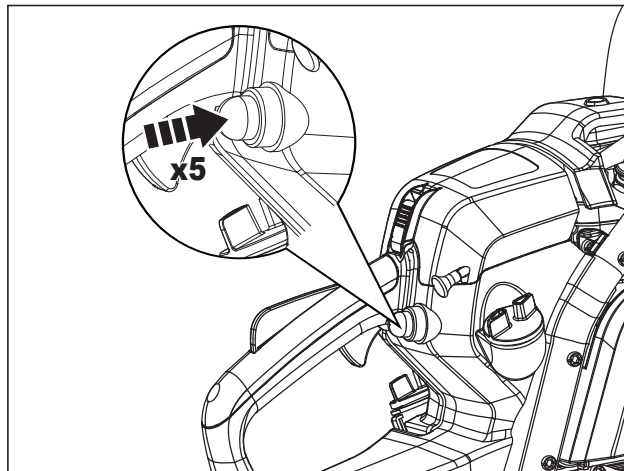


Fig. 10

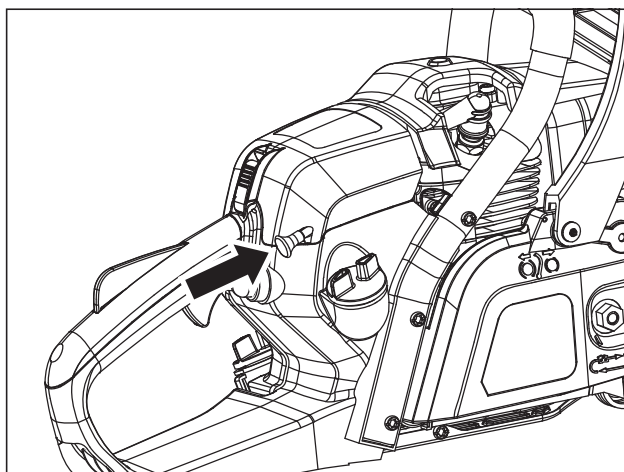


Fig. 9

Jale la perilla de estrangulación completamente hacia afuera, hasta la posición FULL CHOKE (estrangulación total).

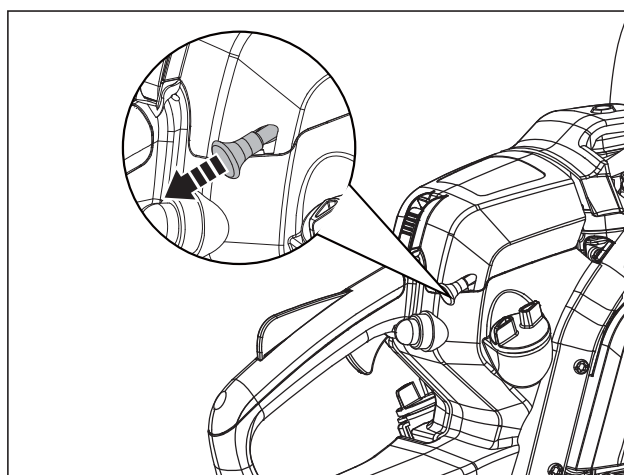


Fig. 11

Presione la perilla de estrangulación hacia dentro. La estrangulación está ahora en posición de funcionamiento.

ADVERTENCIA

La perilla de estrangulación se debe girar a la posición «RUN» (funcionamiento) inmediatamente, presionando el gatillo de aceleración después del arranque en frío, de lo contrario el motor se puede dañar debido al trabajo continuo con la estrangulación cerrada.

Nota: Cuando el motor está funcionando en vacío a alta velocidad, podría escuchar cómo el limitador de velocidad del motor controla las RPM máximas. Este sonido es normal. Cuando la motosierra está cortando material, el sonido se volverá estable.

Arranque del motor en caliente

Presione la perilla del cebador 5 veces hasta que se observe la gasolina en dicha perilla y en el conducto de combustible. (Fig. 10)

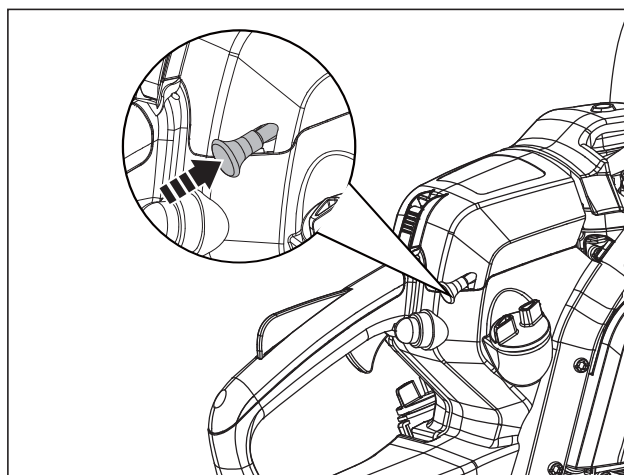


Fig. 12

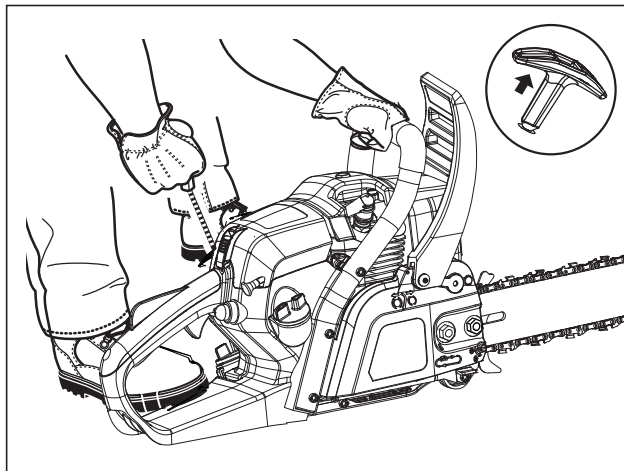


Fig. 13

Jale la cuerda de arranque rápidamente hasta que el motor arranque. Si el motor no arranca, siga el procedimiento de arranque en caliente.

NOTA: Si el motor no arranca, es posible que esté ahogado. El motor puede ahogarse debido a que se aplica demasiada mezcla de combustible en el momento incorrecto, lo cual puede impedir que el motor arranque.

Siga el procedimiento siguiente:

- Presione la perilla de estrangulación completamente hacia atrás, hasta la posición RUN (funcionamiento).
- Retire la bujía y séquela.
- Jale el mango de arranque retráctil varias veces para drenar el combustible de la cámara de combustión.
- Seque el área alrededor del orificio de la bujía y coloque la bujía. Apriete con el par de torsión adecuado. Espere a que el motor se enfríe y luego arranque el producto según se describe en la sección «Arranque en frío».

Cuando esté listo para aserrar, presione y mantenga presionado el seguro del gatillo con la mano, mientras aprieta el gatillo de aceleración (Fig. 14).

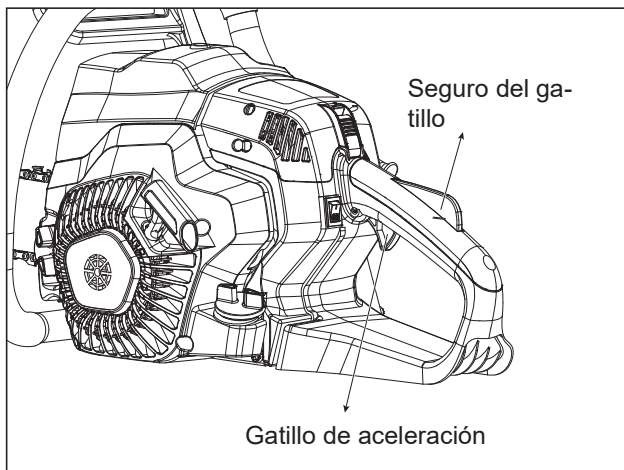


Fig. 14

NOTA: El seguro del gatillo reduce el riesgo de arranque accidental.

Para apagar la unidad, libere el gatillo de aceleración y presione el interruptor de encendido/apagado hasta la posición OFF (apagado).

Freno de la cadena

El freno de la cadena es un mecanismo de seguridad. Al ocurrir el retorno, la cadena de aserrado se detiene de inmediato cuando se activa el freno de la cadena (Fig. 15, Fig. 16).

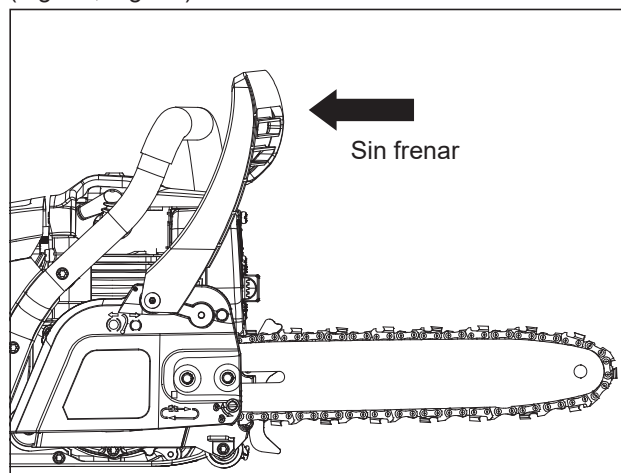


Fig. 15

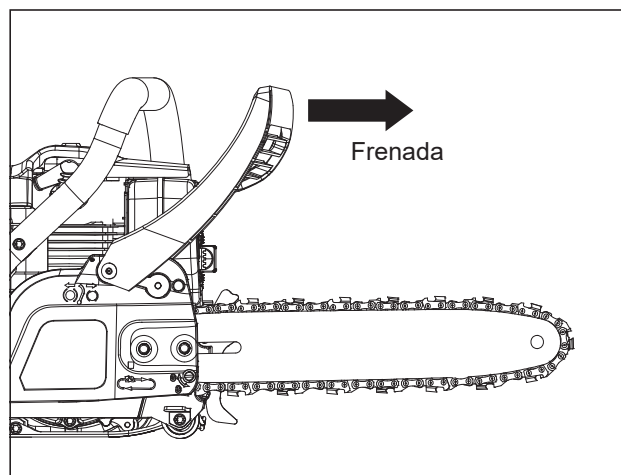


Fig. 16

El siguiente control de función se debe realizar antes de cada uso. El propósito de la comprobación del freno de la cadena es reducir la posibilidad de lesión debido al retorno:

1. Arranque el producto de la manera antes mencionada.
2. Presione el control de aceleración hacia abajo, luego apriete completamente el gatillo de aceleración con el dedo índice y manténgalo en esta posición.
3. Con el motor y la cadena en funcionamiento, active el freno de la cadena desplazando su mano izquierda hacia adelante contra el protector anterior. La cadena de aserrado se debe detener de inmediato.
4. Posteriormente, libere el gatillo de aceleración.
5. Jale el freno de la cadena hacia atrás hasta la posición sin frenar.

ADVERTENCIA

Si la cadena de aserrado no se detiene cuando se activa el freno de la cadena, lleve el producto al centro de servicio autorizado más cercano o a una persona de calificación similar. No use el producto si el freno de la cadena no funciona adecuadamente.

ADVERTENCIA

El protector anterior solo se puede usar para la verificación rápida y en emergencias. No se debe usar para arrancar y detener el producto durante el funcionamiento normal. De lo contrario, el embrague y/o la cubierta del embrague se dañarán.

Velocidad de la cadena

La cadena de aserrado no se moverá por debajo de la velocidad de ralentí del motor sin presionar el gatillo de aceleración.

ADVERTENCIA

Si la cadena de aserrado muestra algún signo de movimiento, detenga el motor de inmediato. Espere a que todas las piezas móviles se detengan. Contacte a un centro de servicio autorizado o a una persona de calificación similar para reajustar la velocidad de ralentí.

Comprobación de la lubricación de la cadena

La lubricación de la cadena se debe comprobar después que todo lo demás esté listo para el aserrado. Este equipo cuenta con un sistema de lubricación automática. El sistema de lubricación administra la cantidad adecuada de aceite a la barra y a la cadena. Arranque el motor; manténgalo funcionando a una velocidad media y compruebe si el aceite de la cadena se administra como se muestra en la figura (Fig. 17).

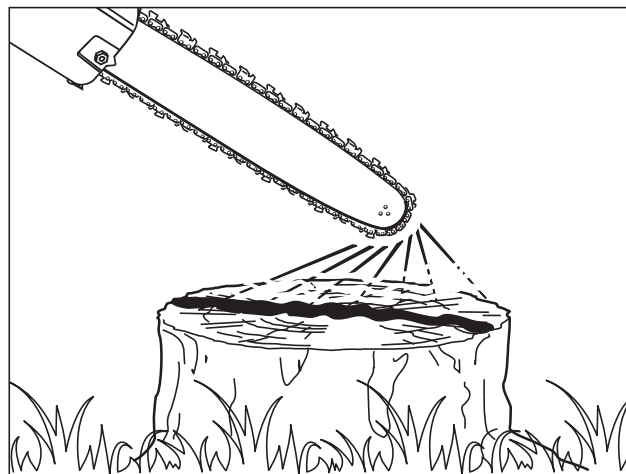


Fig. 17

Procedimiento de aserrado

1. Para adquirir destreza, tome un curso de capacitación en motosierras reconocido, en el cual aprenderá a operar las motosierras de manera segura y eficaz. Familiarícese con todos los controles e interruptores. Practique todos los movimientos con el producto apagado.
2. Siempre sujete el producto firmemente con ambas manos. Agarre el asa anterior con la mano izquierda y el asa posterior con la mano derecha. Agarre ambas asas en todo momento durante la operación. Nunca opere el producto con una sola mano.
3. Solo use el producto manteniendo una postura firme. Sujete el producto en el lado derecho de su cuerpo (Fig. 18)



Fig. 18

4. Asegúrese de que el objeto cortante no supere la longitud de corte útil de la motosierra. La punta de la barra guía siempre se debe mantener al menos a 1.97 pul. (5 cm) por fuera del contorno del tronco de madera.
5. Asegúrese de que la motosierra esté funcionando a alta velocidad antes de que esta entre en contacto con la madera. Use la púa de tope para fijar el producto a la madera antes de comenzar a aserrar y úsela como punto de apoyo de apalancamiento durante el aserrado (Fig. 19).

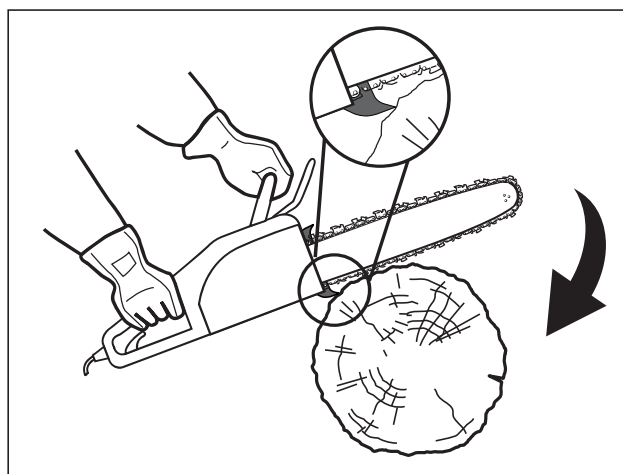


Fig. 19

6. Reajuste la púa de tope en un punto bajo cuando asierre troncos más gruesos, jalando el producto ligeramente hacia atrás hasta que se liberen los dientes de agarre, y reposiciónela en un nivel más bajo para continuar aserrando. No saque el producto completamente de la madera.
7. No fuerce la cadena de aserrado mientras asiera; deje que la cadena haga el trabajo usando los dientes de agarre de la púa de tope para aplicar una presión mínima de apalancamiento.
8. No opere el producto con los brazos completamente extendidos ni intente aserrar áreas de difícil acceso o sobre una escalera de mano. Nunca use el producto por encima de la altura de los hombros.
9. El aserrado óptimo se logra si la velocidad de la cadena se mantiene constante durante el aserrado.
10. Tenga cuidado cuando llegue al final del corte. El peso del producto puede cambiar inesperadamente a medida que este sale de la madera al aserrar. Esto puede causar accidentes en las piernas y los pies. Siempre retire el producto de un corte de madera mientras está funcionando.
11. Compruebe la tensión y lubricación de la cadena regularmente.



ADVERTENCIA

¡La mayoría de los accidentes por «retorno» ocurren durante el desrame! Preste estrecha atención a la posición de la zona de «retorno» de la barra cuando desrame ramas que están bajo tensión.

Tala de árboles

1. Cuando se tronzan y talan árboles, las operaciones las realizan dos o más personas al mismo tiempo; las operaciones de tala deben separarse de las de tronzado, en una distancia mínima del doble de la altura del árbol que se tala. No se deben talar los árboles de manera que se pueda poner en peligro a alguna persona, golpear algún servicio público o causar algún daño a la propiedad. Si el árbol entra en contacto con cualquier línea de servicio público, se debe notificar inmediatamente a la empresa.
2. El operador del producto debe colocarse en la parte alta del terreno, ya que es probable que el árbol ruede o se deslice colina abajo luego de la tala.
3. Se debe planificar una ruta de escape, la cual se debe despejar según sea necesario antes de comenzar a aserrar. La ruta de escape debe extenderse hacia atrás y en forma diagonal hasta la parte posterior de la línea de caída esperada del árbol (Fig. 20).

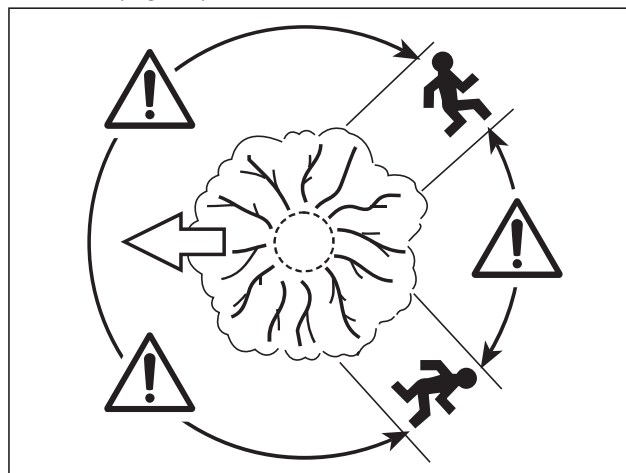


Fig. 20

4. Antes de iniciar la tala, tome en cuenta la inclinación natural del árbol, la ubicación de las ramas más grandes y la dirección del viento para juzgar hacia qué dirección caerá el árbol.
5. Retire del árbol la tierra, las piedras, la corteza suelta, los clavos, las grapas y los alambres.

Corte de muesca y corte de tala

Realice la muesca (B) a 1/3 del diámetro del árbol, perpendicular a la dirección de la caída. Realice primero el corte de muesca horizontal inferior. Esto ayudará a evitar aprisionar la cadena de aserrado o la barra guía cuando se realice la segunda muesca.

Realice el corte de tala (A) al menos 1.97 pul (5 cm) más alto que el corte de muesca horizontal. Mantenga el corte de tala paralelo al corte de muesca horizontal. Realice el corte de tala de manera que quede madera suficiente para servir de bisagra. La madera de bisagra (C) evita que el árbol se tuerza y caiga en la dirección equivocada. No corte a través de la bisagra.

A medida que la tala se acerca a la bisagra, el árbol debería comenzar a caerse. Si hay alguna posibilidad de que el árbol no vaya a caer en la dirección deseada o que se tuerza y trabe la cadena de aserrado, deje de cortar antes de completar el corte de tala y use cuñas de madera, plástico o aluminio para abrir el corte y dejar caer el árbol en la dirección deseada.

Cuando el árbol comience a caer, retire la motosierra del corte, detenga el motor, coloque la motosierra en el suelo y luego use la ruta de escape planeada. Manténgase atento a las ramas aéreas y observe por dónde camina (Fig. 21).

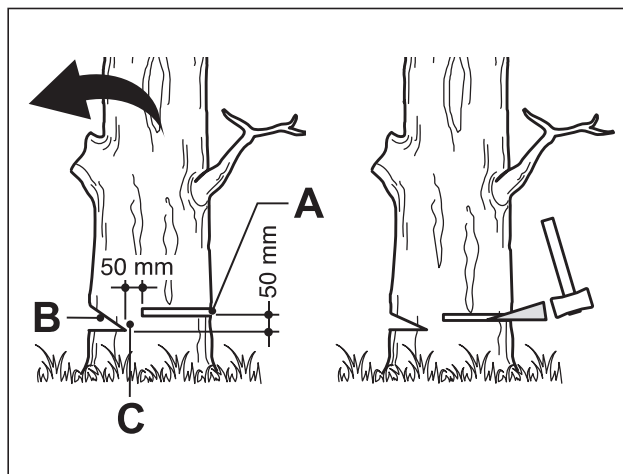


Fig. 21

Desrame y poda

El desrame consiste en eliminar las ramas de un árbol caído. Cuando realice el desrame, deje las ramas inferiores más largas para que soporten el árbol por encima del suelo. Retire las ramas pequeñas de un corte. Las ramas bajo tensión deben cortarse de abajo hacia arriba para evitar trabar el producto (Fig 22).

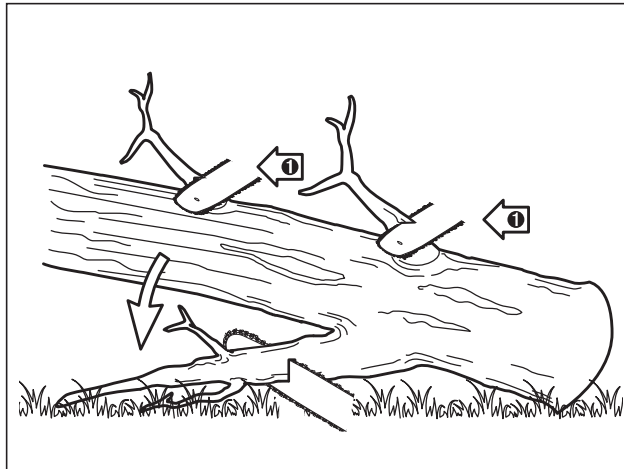


Fig. 22

Corte de palos tensionados

Un palo tensionado es cualquier tronco, rama, tocón enraizado o plantón que se encuentra doblado bajo tensión por otro palo y que retorna a su posición normal si el palo que lo sujeta se corta o se retira. En un árbol talado, un tocón enraizado tiene un alto potencial de regresar a la posición vertical durante el tronzado para separar el tronco del tocón. Manténgase atento a los palos tensionados (Fig. 23).

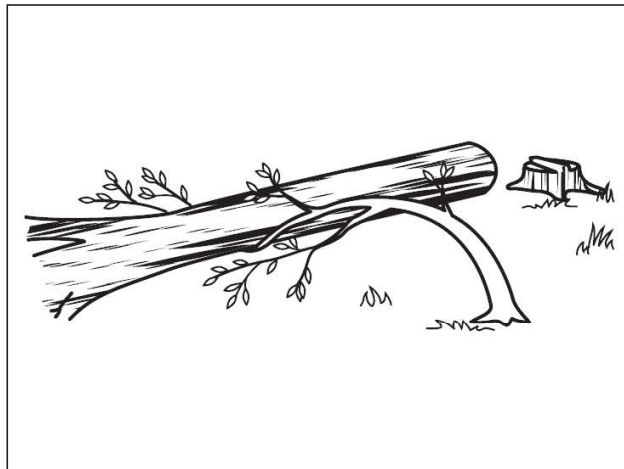


Fig. 23

Tronzado de un tronco

1. Siga las instrucciones simples para un aserrado fácil. Cuando el tronco está soportado a lo largo de toda su longitud, se corta desde la parte superior (tronzado desde arriba) (Fig. 24). No deje que la barra y la cadena golpeen el suelo.

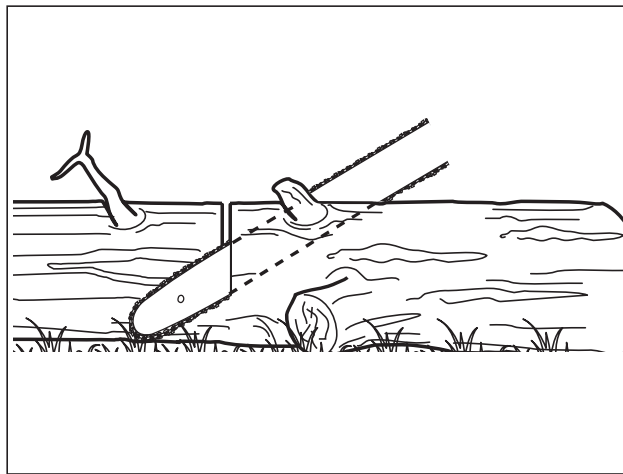


Fig. 24

2. Cuando el tronco está soportado en un extremo, corte 1/3 del diámetro del lado inferior (tronzado desde abajo). Luego realice el corte final tronzando desde arriba para llegar hasta el primer corte (Fig. 25).

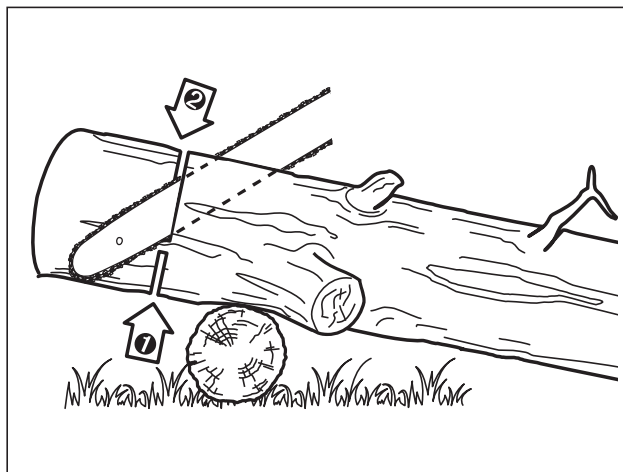


Fig. 25

3. Cuando el tronco está soportado en ambos extremos, corte 1/3 del diámetro desde arriba (tronzado desde arriba). Luego realice el corte final tronizando desde abajo los 2/3 inferiores para llegar hasta el primer corte (Fig. 26).

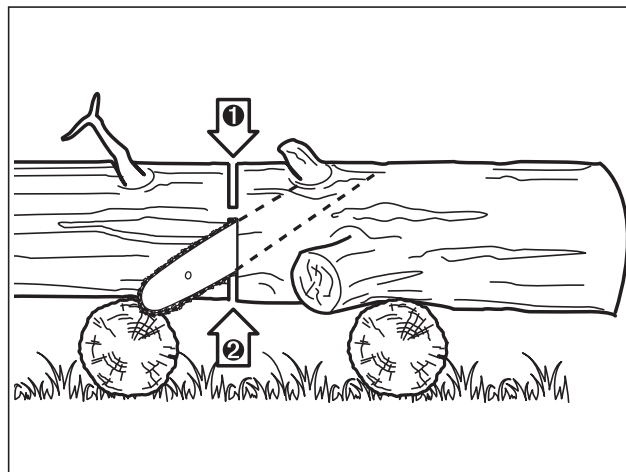


Fig. 26

4. Cuando tronce sobre una colina, siempre debe pararse en el lado del tronco situado en la parte más alta. Para mantener el control cuando «corte a través» de un tronco, suelte la presión del corte cerca del final del mismo sin relajar su agarre de las asas del producto. No deje que la cadena entre en contacto con el suelo. Luego de terminar el corte, espere a que la cadena de aserrado se detenga antes de mover el producto. Siempre detenga el motor antes de pasar de un árbol a otro (Fig. 28).

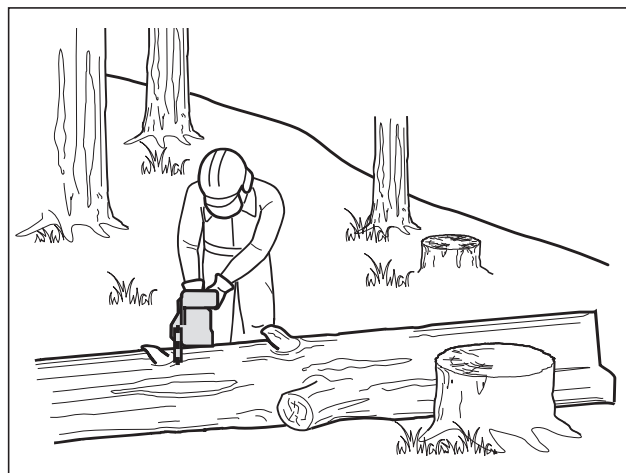


Fig. 28

5. Apoye los troncos pequeños sobre un soporte de aserrado o sobre otro tronco durante el tronzo (Fig. 29).

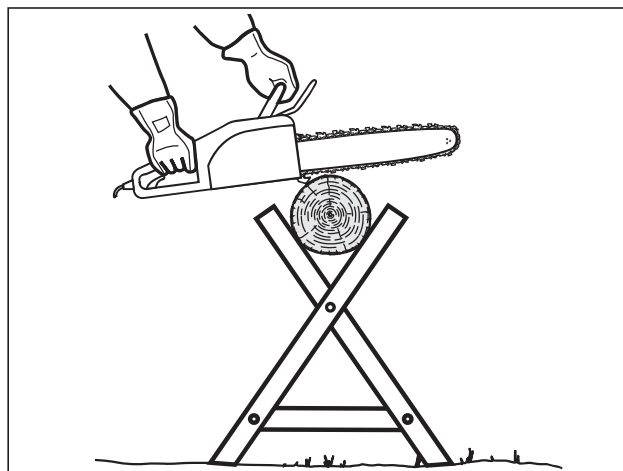


Fig. 29

6. Si el diámetro de la madera es lo suficientemente grande como para insertar una cuña de tronzo sin tocar la cadena, debe usar la cuña para mantener el corte abierto con el fin de prevenir el apriamiento (Fig. 30).

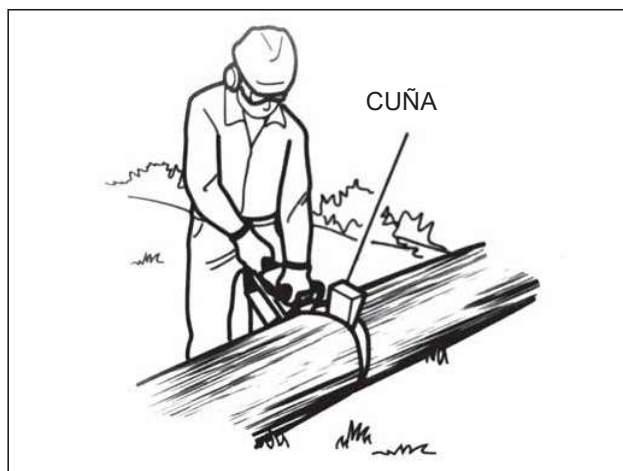


Fig. 30



ADVERTENCIA

Siempre apague el producto, desconecte el cable de la bujía y deje que el producto se enfríe antes de efectuar trabajos de inspección, mantenimiento o limpieza. Efectúe un mantenimiento regular y cuidadoso de este producto. Si el producto recibe un mantenimiento inadecuado, es posible que este no pueda realizar la tarea para la cual está diseñado, lo cual puede traer consigo consecuencias desastrosas.

1. Mantenga el producto limpio. Elimine cualquier residuo que este tenga después de cada uso y antes de su almacenamiento.
2. La limpieza regular y adecuada ayudará a garantizar un uso seguro y prolongará la vida útil del producto.
3. Inspeccione el producto antes de cada uso para detectar si hay piezas desgastadas y dañadas. No opere el producto si encuentra piezas rotas o desgastadas.



ADVERTENCIA

Realice los trabajos de reparación y mantenimiento conforme a estas instrucciones. Cualquier otro trabajo debe ser realizado por un centro de servicio autorizado.

Limpieza general

1. Limpie el producto con un paño seco. Use un cepillo para las áreas de difícil acceso.
2. Limpie particularmente las salida de ventilación, después de cada uso, con un paño y un cepillo.
3. Elimine la suciedad persistente con aire a alta presión (3 bares como máximo).
4. NOTA: No use detergentes o desinfectantes químicos alcalinos o abrasivos, ni ningún otro tipo de detergente agresivo, para limpiar este producto, ya que estos pueden dañar sus superficies.
5. Compruebe si hay algún daño o desgaste. Antes de volver a usar el producto, repare los daños según este manual de instrucciones o llévelo a un centro de servicio autorizado o una persona de calificación similar.

Tabla de mantenimiento

Inspeccione este producto y realice su mantenimiento de manera regular en base a la tabla de mantenimiento siguiente.

Pieza	Acción	Antes / Después de cada uso	10 h	25 h	50 h / mitad de año	100 h / una vez al año
Bujía	Verificar			x		
Bujía	Limpiar			x		
Bujía	Reemplazar	Cuando sea necesario				
Filtro de aire	Verificar	x				
Filtro de aire	Limpiar	x				
Filtro de aire	Reemplazar	Cuando sea necesario				
Cadena de aserrado	Verificar	x				
Cadena de aserrado	Lubricar	x				
Cadena de aserrado	Limpiar	x				
Cadena de aserrado	Reemplazar	Cuando sea necesario				
Aceite del motor	Verificar	x				
Aceite del motor	Reemplazar	Después de las primeras 8 horas				

Observaciones:

- El intervalo de mantenimiento es solo una recomendación para el caso de una máquina que se encuentra en condiciones normales de funcionamiento. Si la máquina presenta algún signo anómalo, realice una inspección y un mantenimiento adecuados de inmediato.
- Si hay algo que no entiende claramente, contacte al servicio de atención al cliente para obtener ayuda.
- Cualquier reparación o mantenimiento que no se mencionen aquí, solo se llevarán a cabo en un centro de servicio autorizado.

Piñón

1. Limpie el piñón.
2. Con una pistola de lubricación, inserte la boquilla de la aguja en el orificio de lubricación e inyecte grasa hasta que esta se observe en el borde externo del piñón (Fig. 31).

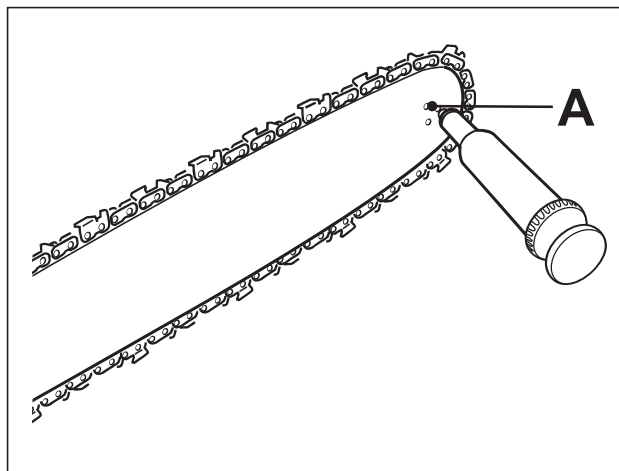


Fig. 31

3. Asegúrese de que el freno de la cadena no esté activado. Gire la cadena de aserrado usando guantes. Repita el procedimiento de lubricación hasta que todo el piñón esté engrasado.

Mantenimiento de la barra guía y la cadena de aserrado

La mayoría de los problemas de la barra guía se pueden evitar con solo mantener el producto en buen estado de mantenimiento. Un afilado incorrecto y ajustes no estándar de cortador y de calibradores de profundidad constituyen la causa de la mayoría de los problemas de la barra que traen consigo principalmente un desgaste desigual de la barra. Si la barra se desgasta de manera desigual los rieles se ensanchan, lo cual puede hacer que la cadena martillee y que sea difícil realizar cortes rectos. Si la barra guía no está suficientemente lubricada y el producto se opera con la cadena de aserrado demasiado apretada, ello contribuirá a un desgaste rápido de la barra. Para ayudar a minimizar el desgaste de la barra, se recomienda realizar el mantenimiento de la barra guía y de la cadena de aserrado.

ADVERTENCIA

Use guantes protectores cuando manipule la cadena y la barra. Estos componentes están afilados y pueden contener rebabas.

1. Retire la cadena de aserrado y la barra guía en el orden inverso al del re-ensamblaje.
2. Compruebe que el puerto de lubricación no esté obstruido y límpielo si es necesario para asegurar la lubricación adecuada de la barra guía y de la cadena de aserrado durante la operación. Use un alambre suave que sea lo suficientemente pequeño como para insertarlo en el orificio de descarga de aceite.
3. Compruebe el piñón de accionamiento. Si está desgastado o dañado debido a la tensión, contacte a un centro de servicio autorizado o a una persona de calificación similar para que lo reemplacen.
4. Elimine los residuos de los rieles de la barra guía usando un destornillador, una espátula, un cepillo de alambre u otra herramienta similar. Esto mantendrá los conductos de aceite abiertos para permitir una lubricación adecuada de la barra guía y de la cadena de aserrado.
5. Compruebe el "riel" de la barra guía para ver si está desgastado. Sujete una regla (borde recto) contra un lado de la barra guía y de las "placas laterales del cortador". Si hay un espacio entre la regla y la barra guía, el "riel" de la barra guía es normal. Si no hay espacio (la regla se apoya completamente en el lado de la barra guía), el "riel" de la barra guía está desgastado y debe ser reemplazado con uno nuevo del mismo tipo (Fig. 32).

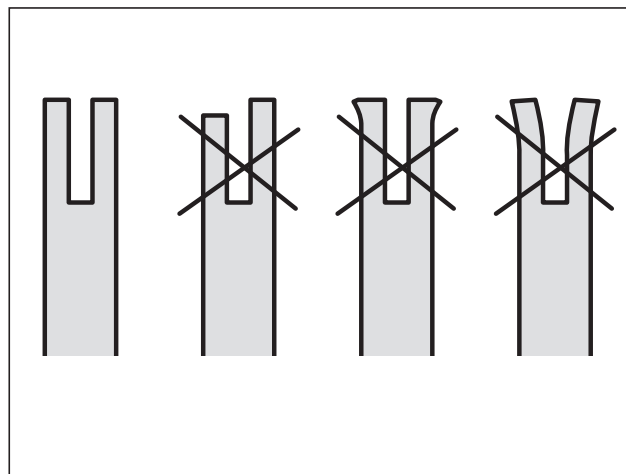


Fig. 32

6. Gire la barra guía 180° para permitir un desgaste uniforme, lo cual prolonga la vida útil de la barra guía.
7. Compruebe la cadena de aserrado para detectar posibles daños y desgaste. Reemplácela con una nueva si es necesario. Los usuarios experimentados pueden afilar una cadena de aserrado sin filo (consulte la sección «Afilado de la cadena de aserrado» a continuación).
8. Vuelva a ensamblar la cadena de aserrado y la barra guía siguiendo los pasos siguientes:

1. Coloque la unidad sobre una superficie plana adecuada y con el asa anterior orientada hacia arriba.
2. Retire las tuercas de montaje de la barra utilizando la llave de bujía suministrada.
3. Retire la cubierta del embrague (Fig. 33).

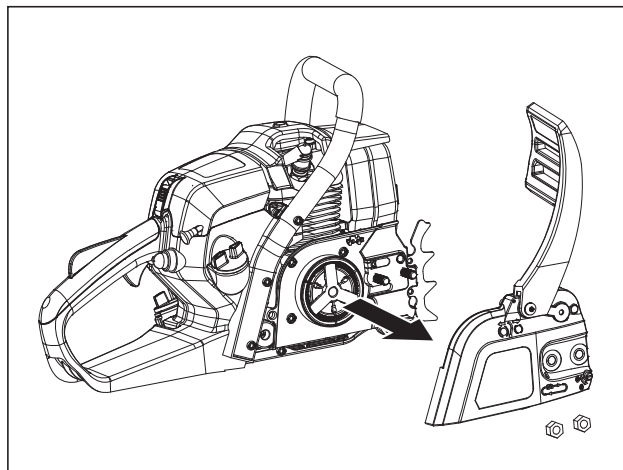


Fig. 33

4. Asegúrese de que el tornillo de tensión de la cadena de aserrado esté posicionado en el lado correcto, girando el tornillo de tensión en sentido antihorario con la llave de bujía.
5. Extienda la cadena de aserrado con los bordes de corte de la cadena orientados en la dirección de rotación y deslice la cadena sobre la ranura alrededor de la barra guía.
6. Alinee la barra guía y el conjunto de la cadena de aserrado con el piñón de accionamiento y el perno. Disponga la cadena de aserrado alrededor del piñón de accionamiento y luego baje la barra guía para instalarla en el perno (Fig. 34).

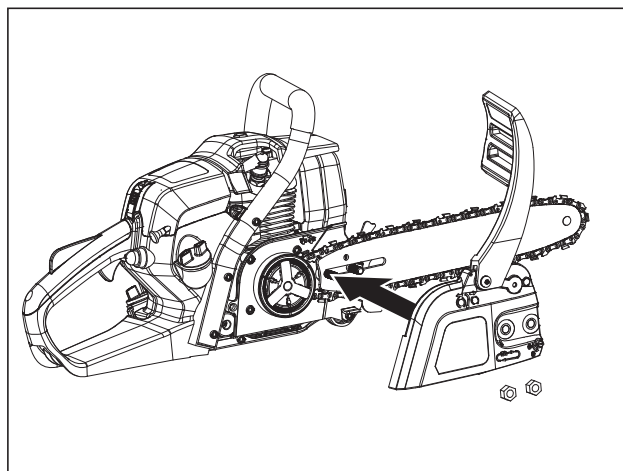


Fig. 34

7. Apriete las tuercas de montaje de la barra para fijar la cubierta del embrague (Fig. 35).
8. Jale la cadena de aserrado con la mano sobre la parte superior de la barra de guía, varias veces de un extremo a otro. La cadena se debe sentir apretada, pero debe moverse libremente.

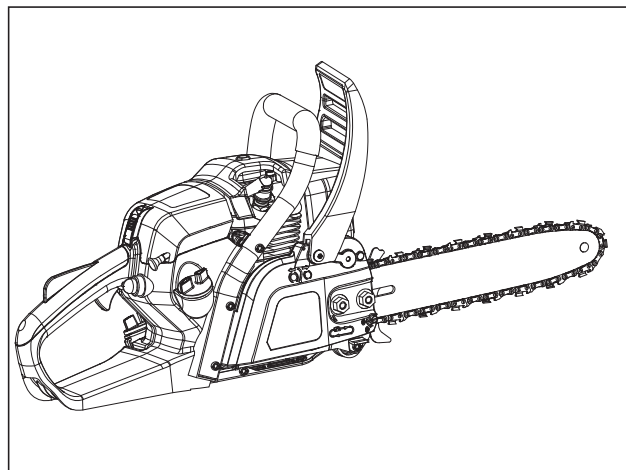


Fig. 35

Afilado de la cadena de aserrado

NOTA: El afilado de la cadena podría ser necesario:

- después de cortar madera mojada (aserrín harinoso),
- cuando la manipulación del producto se vuelve difícil (jala hacia la izquierda o hacia la derecha).
- cuando la cadena de aserrado está roma (se requiere una fuerza excesiva para penetrar la madera) o hay un daño evidente.

Nunca asierre con una cadena roma. La cadena de aserrado está roma si hay que presionar el producto contra el árbol y las astillas son muy pequeñas.

1. Asegúrese de afilar la cadena de aserrado en un centro de servicios calificado o de afilarla usted mismo con el kit de afilado adecuado. Siga también las instrucciones de afilado que se suministran con el kit de afilado.



ADVERTENCIA

Solo afile la cadena de aserrado usted mismo si está capacitado para ello y tiene experiencia. Use las herramientas adecuadas para afilar la cadena de aserrado.

2. La diferencia de altura entre el diente y el reborde es la profundidad de corte. Cuando afile la cadena de aserrado debe considerar los aspectos siguientes:
 - Ángulo de la lima
 - Ángulo de corte
 - Posición de la lima
 - Diámetro de la lima redonda
 - Profundidad de la lima
3. Para afilar la cadena, proceda de la manera siguiente:
 - Use guantes protectores.
 - Asegúrese de que la cadena esté correctamente

tensada.

- Active el freno de la cadena para bloquear la cadena en la barra.

NOTA: Una guía de lima se encuentra disponible en la mayoría de los comercios de herramientas de reputación y es la manera más fácil de sujetar la lima en la posición correcta.

4. Lime en un ángulo perpendicular a la barra y en un ángulo de 25° con respecto a la dirección de recorrido (Fig. 36).

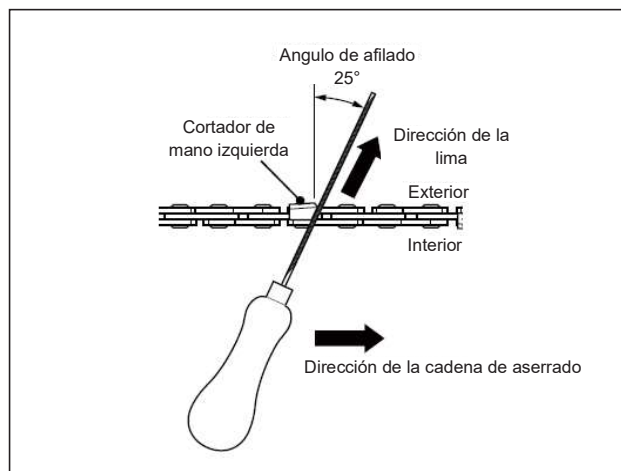


Fig. 36

5. Lime cada diente solo de adentro hacia afuera. Lime un lado de la cadena primero y luego voltee la sierra y repita el proceso.
6. Afile cada diente de igual manera usando el mismo número de pases.
7. Mantenga todas las longitudes de corte iguales. Compruebe la altura de seguridad de los calibradores de profundidad cada 5 afilados. Si los calibradores de profundidad también están recortados, es esencial que se restaure el perfil original.
8. Use un instrumento de medición de calibradores de profundidad para comprobar la altura del calibrador de profundidad. Las herramientas de medición de los calibradores de profundidad se encuentran disponibles en la mayoría de los comercios de herramientas de reputación (Fig. 37).

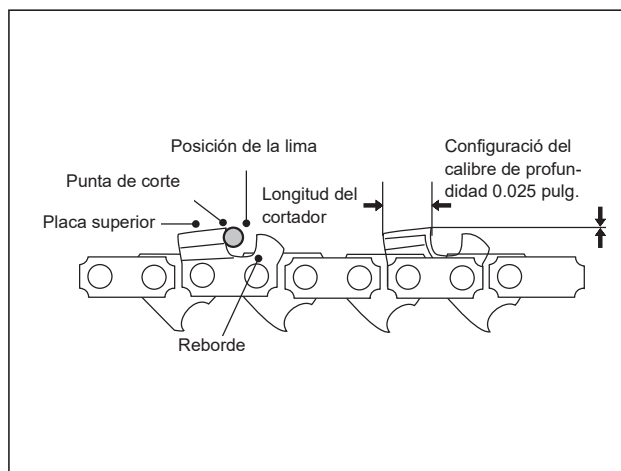


Fig. 37

Filtro de aire

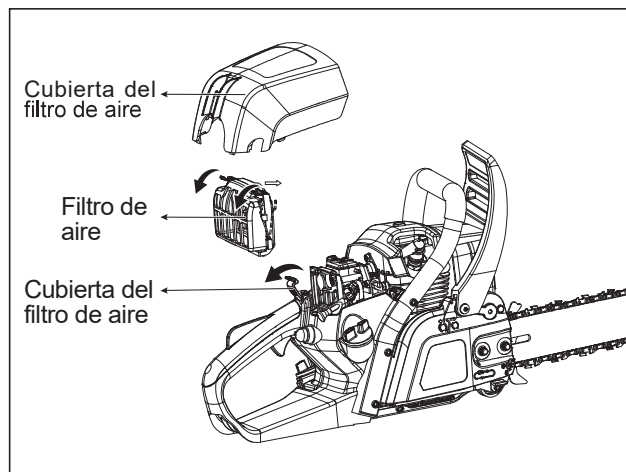


Fig. 38

Lave el filtro de aire cada 25 horas (si está demasiado sucio, cada 10 horas) con agua limpia y séquelo. Inspeccione el filtro de aire regularmente. Reemplácelo con uno nuevo si es necesario.

1. Afloje la palanca de la cubierta del filtro de aire para abrir la caja del filtro de aire.
2. Retire el filtro desbloqueando los dos cierres metálicos y presionando los dos botones de la cubierta; luego sacúdalo contra una superficie sólida para eliminar el polvo.
3. Lave el filtro de aire si es necesario.
4. Vuelva a colocar el filtro y la cubierta del filtro en la caja del filtro de aire.
5. Vuelva a colocar la palanca del filtro de aire y fíjela con el botón de la cubierta del filtro.

Cambio del aceite del motor

¡CUIDADO!

El aceite de motor usado es un tipo de desecho especial y se debe eliminar según el reglamento de protección ambiental de su localidad. No vierta el aceite en los desechos domésticos, el alcantarillado, el suelo, etc.

1. El cambio del aceite del motor es más fácil si el motor está tibio (¡NO CALIENTE!).
2. Abra el tapón del depósito de aceite y drene el aceite usado en un recipiente.
3. Añada el aceite nuevo según las instrucciones para aceites de motor.
4. Limpie el aceite que se haya derramado de la máquina si es necesario.

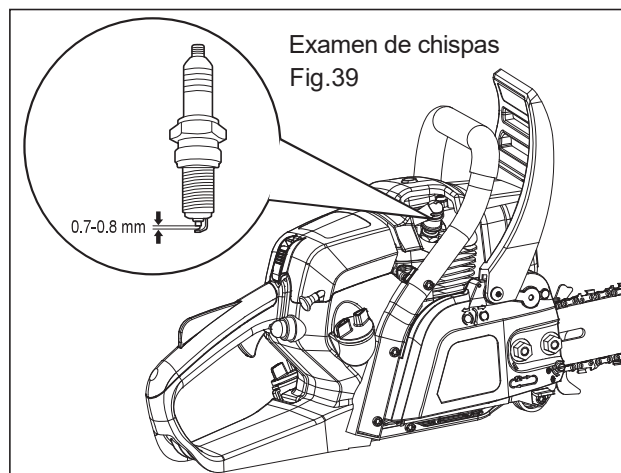


Fig. 39

Reemplazo de la bujía

⚠ ADVERTENCIA

Nunca haga este trabajo si el motor está caliente.

1. Retire la tapa de la bujía y limpie el polvo en el área donde va la bujía.
2. Enrosque la bujía con la llave de tubo suministrada.
3. Compruebe el aislante de cerámica. Sustituya la bujía si está dañada.
4. Limpie los electrodos (punta de metal) con una lija de grano medio para refrescar las superficies.
5. Compruebe la separación de los electrodos de la bujía. Esta debe ser de 0.027 pul. a 0.031 pul. (0.7 - 0.8 mm)(Fig.39).
6. Coloque la bujía y su tapa.

Carburador

No ajuste el carburador. Si tiene problemas con el carburador, contacte al servicio posventa o a un centro de servicio autorizado. Un ajuste incorrecto puede causar daños al motor e invalidar la garantía.

GARANTÍA

GARANTÍA LIMITADA DE DOS AÑOS

Garantía limitada de 2 años para motosierras Senix 4QL.

DURANTE DOS AÑOS desde la fecha original de la compra minorista, este producto Chainsaw garantiza contra defectos de materiales o de mano de obra en las herramientas eléctricas. El producto defectuoso recibirá una reparación gratuita.*

Esta garantía no cubre el desgaste normal de piezas y componentes como la cadena de corte, la tubería o las paletas, ni cubre el costo de transporte del producto para recibir servicio de garantía o reparación.

La garantía está sujeta a las siguientes condiciones:

- La garantía se aplica al comprador original en comercio minorista y no es transferible*
- Registro de garantía en www.senixtools.com
- La herramienta no se ha sometido a uso incorrecto, abuso, negligencia, alteración o modificación y no ha sido reparada fuera de un centro de servicio autorizado
- Solo se han utilizado accesorios originales de Senix con o en este producto
- La herramienta presenta un desgaste normal
- La herramienta no se ha utilizado con fines comerciales o profesionales
- La herramienta no se ha utilizado con fines de alquiler
- Esta garantía solo cubre defectos que ocurran bajo el uso normal y no cubre casos de mal funcionamiento, fallo o defecto que emanen de un uso incorrecto, abuso (incluyendo sobrecarga del producto, exposición al agua o la lluvia), accidentes, negligencia e instalación, mantenimiento o almacenamiento inadecuados.

Para localizar a su proveedor de servicios de Senix más cercano, llame gratis al 1-855-755-4663 o envíenos un correo electrónico a service@senixtools.com.

Limitaciones adicionales

Cualquier garantía implícita otorgada en virtud de las leyes estatales, incluidas las garantías de comerciabilidad o idoneidad para un propósito particular, se limita a tres años a partir de la fecha de compra para herramientas eléctricas y cargadores y siete años para baterías. El fabricante no asume ninguna responsabilidad por daños directos, indirectos, incidentales o consecuentes. Algunos estados y provincias no permiten limitaciones en cuanto a la duración de una garantía implícita o no permiten la exclusión o limitación de daños incidentales, por lo que es posible que las limitaciones y exclusiones anteriores no se apliquen a usted. Esta garantía le otorga derechos legales específicos, y usted también puede tener otros derechos que varían de un estado a otro o de una provincia a otra.

YAT USA no asume ninguna responsabilidad con respecto a la responsabilidad civil que emane de un uso abusivo o no conforme al uso y mantenimiento adecuados de la máquina, descritos en el manual del operador.

YAT USA no asume ninguna responsabilidad por daños directos, indirectos, incidentales o consecuentes.

Después de la compra, el fabricante recomienda el mantenimiento adecuado de la máquina y leer el manual del operador antes de utilizar la máquina.

*Se puede exigir un recibo de compra original como justificante de compra

Para acceder al servicio de atención al cliente, póngase en contacto con nosotros llamando gratuitamente al 1-855-755-4663 o visitando Senixtools.com. YAT USA, Inc. 6441 Hendry Road, Suite A, Charlotte NC 28269.

TRANSPORTE

1. Apague el producto.
2. Coloque la cubierta de la barra guía.
3. Siempre transporte el producto sujetándolo por las asas.
4. Proteja el producto contra cualquier impacto o vibración intensa que pueda ocurrir durante el transporte en un vehículo.
5. Fije el producto para evitar que este resbale, se caiga o pierda combustible y para evitar daños y lesiones.

ALMACENAMIENTO

1. Coloque la cubierta de la barra guía.
2. Almacene la máquina fuera del alcance de los niños y de otras personas no autorizadas, en un lugar bien ventilado, seco y sin congelación.
3. Proteja la máquina contra el polvo.

ELIMINACIÓN

El producto de desecho no se debe eliminar con los residuos domésticos. Recíclelo en las instalaciones disponibles. Consulte a sus autoridades locales o a su distribuidor minorista para asesorarse sobre el reciclaje.

SOLUCIÓN DE PROBLEMAS

Las sospechas de mal funcionamiento a menudo se deben a causas que el usuario puede corregir por sí mismo. Por tanto, use esta sección para verificar el producto. En la mayoría de los casos el problema se puede resolver rápidamente.



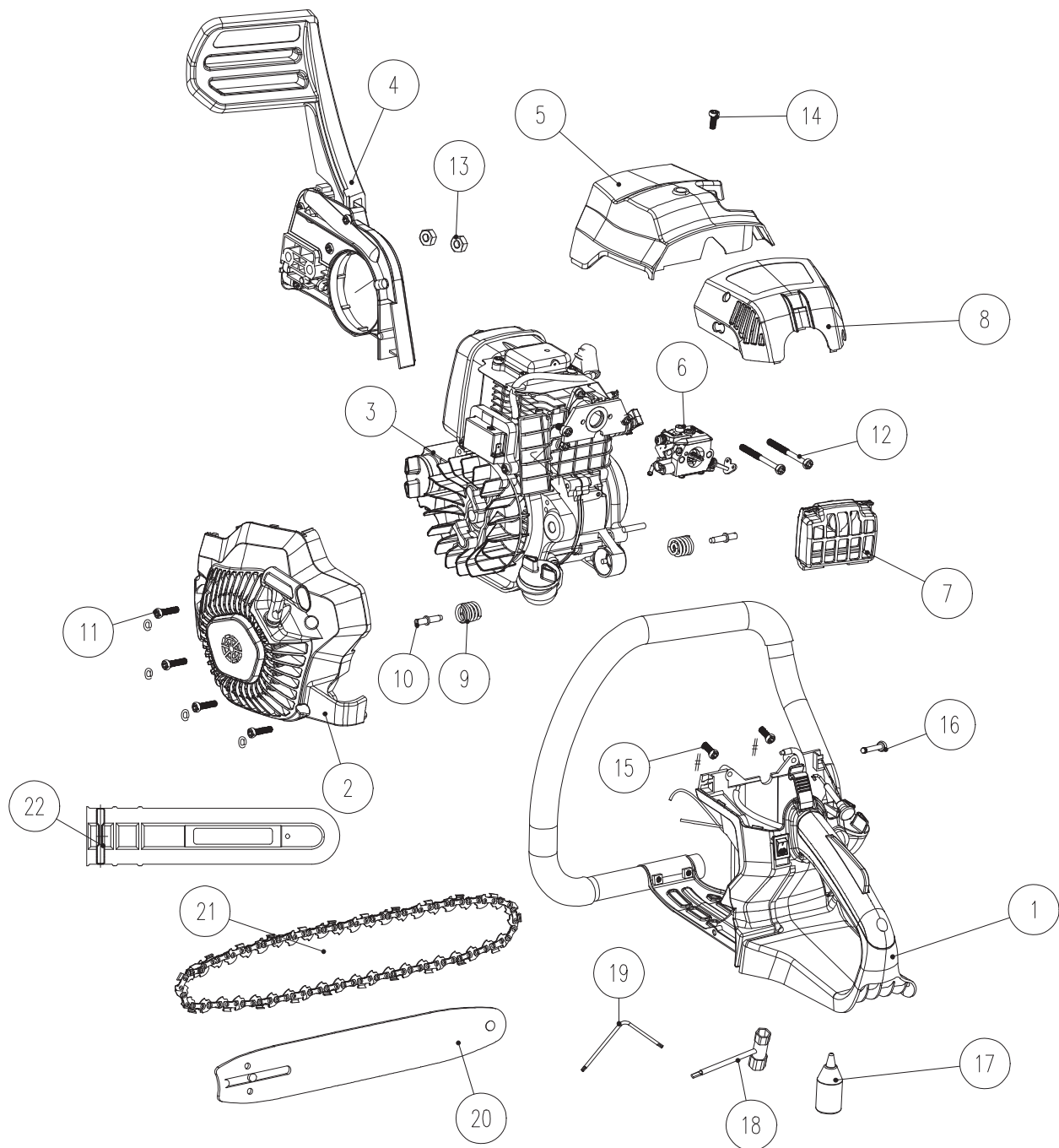
ADVERTENCIA

Realice solo los pasos que se describen en estas instrucciones. Si no puede resolver el problema por sí mismo, cualquier otro trabajo de inspección, mantenimiento y reparación debe ser realizado por un centro de servicio autorizado o un especialista de calificación similar.

PROBLEMA	CAUSA	SOLUCIÓN
El motor no arranca	<ol style="list-style-type: none"> 1. Filtro de aire sucio. 2. La separación de los electrodos de la bujía es incorrecta 3. Se agotó el combustible. 4. Agua en el combustible. 5. La bujía está dañada. 6. El conector de la bujía está flojo. 7. El carburador está ahogado con combustible 	<ol style="list-style-type: none"> 1. Limpie o reemplace el filtro de aire. 2. Separe los electrodos a una distancia de 0.027 pul. a 0.031 pul, (0.7 - 0.8 mm) entre sí. 3. Llene el depósito de combustible. 4. Vacíe el depósito de combustible y vuelva a llenarlo con gasolina nueva. 5. Cambie la bujía. 6. Fíjela correctamente. 7. Retire el filtro de aire y jale el mango y la cuerda de arranque continuamente hasta que el carburador se desobstruya; luego instale el filtro de aire.
El motor se detiene	<ol style="list-style-type: none"> 1. Se agotó el combustible. 	<ol style="list-style-type: none"> 1. Llene el depósito de combustible.
Es difícil arrancar el motor o este pierde potencia	<ol style="list-style-type: none"> 1. Suciedad, agua o combustible rancio en el depósito. 2. Filtro de aire sucio. 3. El orificio de ventilación del tapón del depósito de combustible está obstruido. 	<ol style="list-style-type: none"> 1. Drene el combustible y limpie el depósito; luego llene el depósito con combustible nuevo y limpio. 2. Limpie o cambie el filtro de aire. 3. Limpie o cambie el tapón del depósito de combustible.
Vibración excesiva	<ol style="list-style-type: none"> 1. La cadena de aserrado está dañada. 2. Los pernos o las tuercas están dañados. 	<ol style="list-style-type: none"> 1. Cambie la cadena. 2. Apriete los pernos o las tuercas.
El motor se sobrecalienta	<ol style="list-style-type: none"> 1. La salida de ventilación está obstruida. 2. La separación de los electrodos de la bujía es incorrecta 3. La cadena de aserrado está bloqueada con residuos. 	<ol style="list-style-type: none"> 1. Limpie la salida de ventilación. 2. Ajuste la separación entre los electrodos a 0.027 - 0.031 pul. (0.7 - 0.8 mm). 3. Elimine el bloqueo.

PIEZAS

VISTA EN DESPIECE



LISTA DE PIEZAS

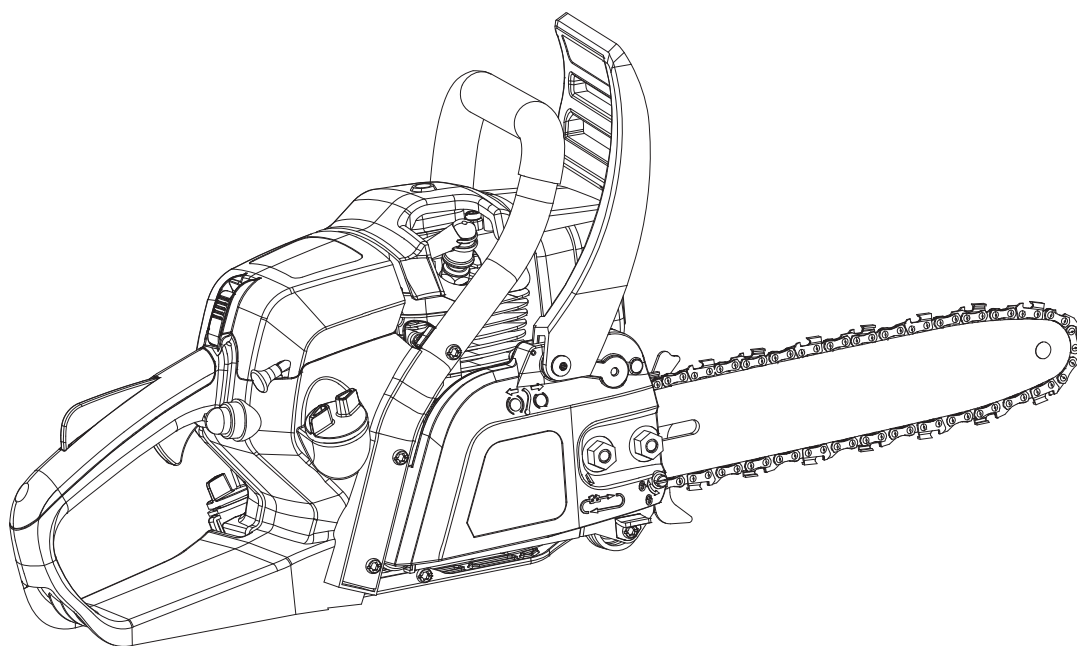
Nº	N.º de pieza	Descripción	Cant.
1	199004000716	Asa posterior	1
2	199096000114	Iniciador	1
3	103001000353	Conjunto del cabezal del motor	1
4	199001000548	Conjunto de la tapa de extremo	1
5	202030001847	Cubierta	1
6	199064000065	Carburador	1
7	199077000019	Filtro de aire	1
8	202030001848	Cubierta del filtro de aire	1
9	8342-966004-0000000	Resorte amortiguador del asa posterior	2
10	8206-965105-0000000	Tornillo de ajuste largo	2
11	8SJJ05-20D	Tornillo acanalado de cabeza alomada	4
12	8SJJ05-40D	Tornillo torx de cabeza alomada	2
13	8NG-08D	Tuerca bridada hexagonal	2
14	8SJJ05-12D	Tornillo acanalado de cabeza alomada	1

Nº	N.º de pieza	Descripción	Cant.
15	8SJJ05-12D	Tornillo acanalado de cabeza alomada	2
16	8SJJ05-30D	Hembrilla interna ranurada de cabeza alomada	1
17	208043000002	Lubricador	1
18	8261-966001-0000000	Llave de bujía	1
19	8261-902101-0000000	Llave Torx	1
20	243-0175	Barra guía	1
21	243-0036	Cadena de aserrado	1
22	202009000169	Cubierta de la barra guía (funda)	1



Tronçonneuse 49 CC

MANUEL D'INSTRUCTIONS
Modèle : CS4QL-L1



SENIX TOOLS 6441 Hendry Rd. Charlotte, NC. 28269

Pour joindre l'assistance aux consommateurs veuillez appeler au 1-855-755-4663 or go online at support@senixtools.com

ATTENTION : LISEZ CE MANUEL AVANT D'UTILISER CE PRODUIT ET
RESPECTEZ TOUTES LES RÈGLES DE SÉCURITÉ ET CONSIGNES D'UTILISATION.

• SÉCURITÉ ET SYMBOLES INTERNATIONAUX •

Sur l'appareil, sur la plaque signalétique et dans ces instructions, vous trouverez entre autres les symboles et abréviations suivants. Familiarisez-vous avec leur signification afin de réduire les risques de dommages corporels et matériels.



Attention / Avertissement.



Starter – Position FERMÉE



Avertissement : Observez / Lisez le manuel d'instructions !



Starter – Position OUVERTE



Portez des lunettes de sécurité et des protections auditives.



AVERTISSEMENT : En cas de contact avec un objet, le guide-chaîne peut être projeté brutalement vers le haut ou vers l'arrière, et risque de blesser gravement l'utilisateur.



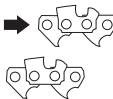
Portez des gants protecteurs.



Pressez la pompe d'amorçage, lentement et complètement.



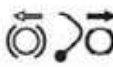
Portez des chaussures de protection anti-dérapantes.




Direction correcte des dents de coupe



Aucune flamme nue dans la zone de travail autour du produit.



Frein de chaîne (le symbole  indique la position d'ouverture du frein).



Ne fumez pas dans la zone de travail, autour du produit et à proximité de matériaux inflammables !



Surface chaude, ne pas toucher ! Températures élevées sur les surfaces du produit et les pièces structurales qui peuvent provoquer des brûlures si elles sont touchées. Le produit peut également rester chaud plus longtemps après l'utilisation !



Réservoir d'huile de moteur 4 temps



Tout contact avec un objet du bout du guide-chaîne doit être évité.



Réservoir d'huile de lubrification de chaîne



Tenez toujours l'appareil à deux mains lors de l'utilisation. N'utilisez pas une main seulement lorsque vous utilisez le produit.



Ne mélangez pas l'essence et huile. Utilisez de l'essence sans plomb contenant 10% ou moins d'éthanol.

TABLE DES MATIÈRES

CONSIGNES DE SÉCURITÉ	61
DESCRIPTION DE VOTRE OUTIL	68
SPÉCIFICATIONS.....	69
FONCTIONNEMENT	72
ENTRETIEN	80
GARANTIE	84
TRANSPORT.....	85
PIÈCES.....	86

CONSIGNES DE SÉCURITÉ

Consignes de sécurité concernant la tronçonneuse à essence

Avertissements

1. Utilisé de manière incorrecte ou imprudente, cet appareil est dangereux et peut provoquer des blessures graves voire mortelles.
2. Veuillez lire attentivement toutes les instructions. L'utilisation d'appareils à essence doit toujours se faire dans le respect des mises en garde indiquées, afin de réduire les risques de dommages à l'appareil et/ou de graves blessures corporelles.
3. L'appareil ne peut être utilisé que par une personne ayant lu et compris l'intégralité des mises en garde et des instructions d'utilisation du manuel. Les réglementations locales peuvent définir un âge minimal d'utilisation de ce type d'outil.
4. Veillez à ce qu'aucun animal ni aucune personne (notamment les enfants) ne s'approche de la zone de travail.
5. Reportez-vous aux instructions pour lubrifier ou tendre la chaîne, ou pour changer des accessoires. Si la chaîne est mal lubrifiée ou incorrectement tendue, elle peut se casser ou faire augmenter les risques de rebond. Une rupture accidentelle de la chaîne peut provoquer des blessures graves voire mortelles.
6. L'utilisation de cet appareil dans un espace confiné ou mal aéré peut conduire à un décès par asphyxie ou par intoxication au monoxyde de carbone. Cet appareil est conçu exclusivement pour une utilisation en extérieur.
7. Soyez particulièrement vigilant en cas d'utilisation par temps humide ou dans des températures négatives. N'utilisez pas l'appareil par temps de pluie, de vent ou de tempête.
8. Portez une protection pour le visage ou un masque respiratoire. L'utilisation de cet appareil s'accompagne d'émissions de poussières, de fumées et de vapeurs chimiques qui peuvent endommager les voies respiratoires.
9. Munissez-vous d'un matériel de protection adéquat : chaussures à bouts renforcés en acier, vêtements anti-coupures solides et moulants, gants de travail, casque antibruit, casque et lunettes de protection.
10. Procédez toujours à un examen visuel de l'appareil avant de l'utiliser.
11. N'essayez pas d'effectuer à l'improviste un travail pour lequel vous n'avez pas reçu de formation adéquate.
12. Lors du démarrage et de l'utilisation de l'appareil, ne permettez pas à d'autres personnes de rester à proximité. N'utilisez pas l'appareil si les pièces de protection sont défectueuses ou s'il est endommagé de quelque manière que ce soit !
13. N'essayez en aucun cas d'apporter des modifications à l'appareil. Toute modification peut causer des blessures graves voire mortelles.
14. Avant de commencer à couper, assurez-vous que la zone de travail n'est pas obstruée et que vous disposez d'une position bien en équilibre et d'un chemin de retraite lors de la chute de l'arbre.
15. Toutes les manipulations, réparations ou entretien autres que ceux énumé-

rés dans les instructions de sécurité et d'entretien du manuel doivent être effectués par un centre de réparation agréé.

16. Il est recommandé à tout nouvel utilisateur de se faire expliquer au préalable l'utilisation de la tronçonneuse et des équipements de protection par un utilisateur expérimenté.
17. Les réglementations locales définissent parfois des limites d'utilisation du produit.
18. Ne faites pas fonctionner la tronçonneuse avec une seule main ! Si l'outil est manipulé avec une seule main, l'opérateur, ses assistants et les autres personnes présentes risquent d'être gravement blessés. Une tronçonneuse est conçue pour être manipulée à deux mains.
19. Ne faites pas fonctionner la tronçonneuse quand vous êtes fatigué.
20. Lors du démarrage et de l'utilisation de la tronçonneuse, ne permettez pas à d'autres personnes de rester à proximité. Gardez les passants et les animaux hors de la zone de travail.
21. Lors du transport de votre tronçonneuse, utilisez le fourreau de guide-chaîne approprié.
22. Toutes les opérations de maintenance de la tronçonneuse autres que celles listées dans les instructions de sécurité et d'entretien du présent manuel doivent être effectuées par un personnel compétent pour la réparation de tronçonneuses. (Par exemple, si des outils inappropriés sont utilisés pour retirer le volant ou si un outil incorrect est utilisé pour maintenir le volant afin de retirer l'embrayage. Des dommages structurels au volant pourraient se produire et, par la suite, provoquer l'éclatement du volant).

Manipulation du carburant

1. Avant de remplir le réservoir, éteignez l'appareil et attendez qu'il ait refroidi. Le carburant et les vapeurs de carburant sont extrêmement inflammables. Soyez particulièrement vigilant(e) lors de la manipulation du carburant. Ne fumez surtout pas pendant le remplissage ! De même, ne remplissez pas le réservoir à proximité d'un feu !
2. Pour le remplissage, utilisez toujours

des ustensiles adéquats, comme un entonnoir ou un goulot de remplissage. Faites attention à ne jamais renverser de carburant sur l'appareil ou sur le pot d'échappement. Cela pourrait provoquer un incendie. Nettoyez soigneusement l'essence répandue sur les parties du produit. Déplacez la tronçonneuse à une distance de sécurité du point de ravitaillement avant de commencer.

3. Veillez à ce que les poignées restent propres, sèches et exemptes d'huile ou d'essence.
4. N'utilisez jamais l'appareil dans un environnement potentiellement explosif. Les vapeurs de carburant et les gaz d'échappement sont nocifs. Les vapeurs de carburant sont inflammables.
5. Ne remplissez jamais le réservoir dans une pièce fermée, comme dans une cave ou un garage : risque d'intoxication ou d'explosion !
6. Évitez tout contact de l'essence avec la peau.
7. Évitez de manger ou boire pendant le remplissage du réservoir. En cas d'ingestion accidentelle d'essence ou d'huile, ou en cas de contact avec les yeux, appelez immédiatement les urgences.
8. Après le remplissage, refermez immédiatement le bouchon du réservoir. Assurez-vous que le bouchon est correctement fermé.
9. N'utilisez jamais l'appareil sans le filtre à air en place.
10. En fonction de la quantité de carburant utilisée, des conditions météo et de l'aération du réservoir, de la pression de vapeur peut s'accumuler à l'intérieur du réservoir. Afin de réduire les risques de brûlures et autres blessures corporelles, ôtez toujours le bouchon du réservoir afin de permettre à la pression de s'échapper progressivement.
11. Soyez conscient des risques d'incendie, d'explosions et d'inhalations liés à la manipulation du carburant.
12. Faites en sorte que le connecteur de la bougie soit toujours bien fixé ; en cas de mauvaise fixation, il peut se produire un arc électrique pouvant enflammer les vapeurs de combustibles et provoquer un incendie ou une explosion.

13. Examinez régulièrement les conduites de carburant et le bouchon du réservoir afin de repérer les éventuelles fuites.
 14. Après avoir rempli le réservoir, refermez le bouchon et serrez-le bien.
 15. En cas de fuite d'huile ou de carburant, n'utilisez pas l'appareil. Ne retirez jamais le bouchon du réservoir de carburant tant que le moteur est en marche.
 16. Utilisez toujours un récipient prévu à cet effet.
 17. Le carburant ne doit en aucun cas être rangé ou manipulé à proximité d'une source de chaleur ou de flammes susceptible d'enflammer le carburant (ex : bouilloire, cuisinière, cheminée, étincelles électriques, étincelles de soudure, etc.).
 18. En cas de contact du carburant avec la peau ou les vêtements, changez-vous et lavez toutes les parties du corps ayant été en contact avec le carburant, avant de rallumer le moteur.
 19. En cas d'incendie lié au carburant, éteignez le feu à l'aide d'un extincteur à poudre sèche.
 20. S'il est nécessaire de vider le réservoir de carburant, cela doit être fait en extérieur.
 21. Le carburant doit toujours être manipulé avec précaution. Déplacez la tronçonneuse à au moins 3 m (10 pieds) de la source d'alimentation et du lieu de remplissage du carburant avant de démarrer le moteur.
5. Veillez à ce qu'aucune partie du corps ne s'approche de la chaîne lorsque la tronçonneuse est en marche. Avant de démarrer la tronçonneuse, vérifiez que la chaîne n'est en contact avec aucun objet et n'est pas entravée par quoi que ce soit. Lors de l'utilisation d'une tronçonneuse, un simple moment d'inattention suffit pour que vos vêtements se prennent dans la chaîne ou qu'une partie de votre corps entre en contact avec celle-ci.
 6. Coupez le moteur avant de poser l'appareil.
 7. Avant chaque utilisation et après chaque chute ou impact, examinez la tronçonneuse pour voir si elle est usée ou endommagée, et effectuez les réparations qui s'imposent.

Fonctionnement

1. Pendant la coupe, évitez tout contact de l'appareil avec des objets étrangers (rochers, barrières, clous etc.). Ceux-ci pourraient être projetés et endommager l'appareil, ou causer des blessures graves voire mortelles.
2. N'utilisez pas l'appareil debout sur une chaise ou sur tout autre support instable.
3. Si la chaîne se coince : **COUPEZ LE MOTEUR**. N'essayez pas de libérer la chaîne de force. Utilisez un objet pour faire levier et dégager la chaîne. Faute de quoi, vous vous exposeriez à des blessures graves voire mortelles.
4. Coupez toujours avec le moteur à pleine vitesse.
5. Faites extrêmement attention quand vous coupez des broussailles ou de jeunes arbres. Le matériau fin peut se prendre dans la chaîne, puis se rabattre violemment dans votre direction ou vous faire perdre l'équilibre.
6. La zone de travail doit impérativement être bien aérée.
7. Cet appareil est conçu pour être tenu à deux mains: la main droite sur la poignée arrière et la main gauche sur la poignée avant. Avec une seule main, les forces de réaction ne peuvent plus être contrôlées, l'utilisateur risque de perdre le contrôle de la tronçonneuse et le guide-chaîne et la chaîne peuvent déraiper ou rebondir sur la branche ou

Préparations

1. N'utilisez pas l'appareil en intérieur ; lorsque le moteur tourne, il produit des gaz d'échappement toxiques incolores et inodores.
2. Lors du démarrage, n'enroulez pas la corde du démarreur autour de votre main. Vous risqueriez de vous blesser la main ou les doigts.
3. Faites en sorte que les poignées restent sèches, propres et exemptes d'huile et de graisse. Les poignées huileuses ou graisseuses sont glissantes et peuvent vous faire perdre le contrôle de l'appareil.
4. Ne faites pas fonctionner l'appareil avec une chaîne insuffisamment tendue. Une chaîne détendue peut sauter hors du guide et provoquer des blessures graves, voire mortelles.

- le tronc d'arbre.
- 8 .N'utilisez pas l'appareil si vous avez une condition médicale susceptible d'être aggravée par un travail trop fatigant. Consultez votre médecin avant d'utiliser cet appareil.
 9. N'utilisez pas l'appareil quand vous êtes fatigué, sous l'emprise de l'alcool ou de drogues ou après avoir pris des médicaments.
 10. Ne touchez pas le silencieux ou le pot d'échappement lorsque l'appareil fonctionne - VOUS POURRIEZ VOUS BRÛLER !
 11. N'utilisez pas l'appareil s'il n'est pas monté de manière correcte et complète, s'il est mal réglé ou s'il est endommagé de quelque manière que ce soit. Vérifiez que la chaîne s'arrête quand vous relâchez la gâchette d'accélération.
 12. N'utilisez pas l'appareil dans un arbre, sauf si vous avez été spécifiquement formé pour cela. L'utilisation de cet appareil dans un arbre peut être à l'origine de blessures corporelles.
 13. N'utilisez pas l'appareil à proximité de gaz ou de liquides inflammables.
 14. Ne fumez pas en utilisant l'appareil.
 15. Évitez de serrer les poignées trop fort et de manière constante ; cela augmente l'effet des vibrations et les risques de maladie de Raynaud (doigts blancs).
 16. N'essayez pas de travailler des zones difficiles à atteindre, et ne sciez pas avec l'appareil au-dessus des épaules.
 17. En cas de fuite d'huile de moteur, d'huile de chaîne ou de carburant, n'utilisez pas l'appareil.
 18. Quand vous coupez une branche sous tension, faites attention à l'effet de rebond ; au moment où la tension dans les fibres du bois se relâche, la branche risque de se rabattre et de frapper l'utilisateur.
 19. L'utilisateur de la tronçonneuse doit toujours se tenir debout sur une surface plane, fixe et stable, et doit toujours garder l'équilibre. Les surfaces instables ou glissantes, comme une échelle, risquent de vous faire perdre l'équilibre et le contrôle de la tronçonneuse.
 20. Coupez du bois uniquement. N'utilisez pas l'appareil pour un travail auquel il

n'est pas destiné. Par exemple, n'utilisez pas cette tronçonneuse pour couper du plastique, des briques ou des matériaux de construction qui ne sont pas en bois. N'utilisez pas la tronçonneuse pour couper du plastique, des briques ou d'autres matériaux que du bois. Il est potentiellement dangereux d'utiliser la tronçonneuse pour un autre travail que celui pour lequel elle a été conçue.

Transport et rangement

1. Avant de transporter l'appareil, assurez-vous que le moteur est bien à l'arrêt et que le frein de chaîne est engagé.
2. Portez l'appareil avec le moteur éteint, la chaîne et le guide-chaîne vers l'arrière et le silencieux dirigé du côté opposé au corps.
3. Remettez toujours le protège-lame sur le guide-chaîne avant de le ranger ou de le transporter.
4. La tronçonneuse doit toujours être portée à l'horizontale. Tenez la poignée avant de manière à ce que l'appareil soit en équilibre à l'horizontale.
5. Si vous devez transporter l'appareil dans un véhicule, attachez-le bien afin d'éviter qu'il ne se renverse (risque de fuites et autres dégâts).
6. La tronçonneuse et le carburant ne doivent en aucun cas être rangés dans un endroit où se trouvent des sources d'étincelles ou de flammes nues (ex: appareils électriques, moteurs électriques, relais/interrupteurs, bouilloires etc.), afin d'éviter tout risque de combustion du carburant (en cas de fuite) ou des vapeurs de carburant.
7. En cas de rangement prolongé ou de transport sur une longue distance, les réservoirs d'huile et de carburant doivent être vidés au préalable.
8. Le carburant doit être rangé dans un récipient spécialement conçu à cet effet.
9. Assurez-vous que la tronçonneuse est nettoyée avant de la ranger.

Causes et prévention des risques de rebond



AVERTISSEMENT !

Un rebond peut se produire quand la

pointe ou l'avant du guide-chaîne touche un objet, ou quand la pièce de bois plie au niveau de la ligne de coupe en pinçant la chaîne dans la coupe.

Si la pointe du guide-chaîne entre en contact avec un objet, il peut dans certains cas se produire une réaction brutale qui projette le guide-chaîne vers le haut et vers l'utilisateur.

Si la chaîne est pincée contre le bord supérieur du guide, celui-ci peut être projeté brutalement vers l'arrière.

Chacune de ces réactions peut vous faire perdre le contrôle de la tronçonneuse et provoquer de graves blessures corporelles. Ne vous reposez pas exclusivement sur les dispositifs de sécurité dont est munie votre machine. En tant qu'utilisateur d'une tronçonneuse, vous avez la responsabilité de prendre les mesures nécessaires pour que le travail de coupe ne provoque pas d'accident ni de blessure.



AVERTISSEMENT !

- a) Avec une compréhension de base sur l'effet de rebond, vous pouvez réduire ou éliminer l'élément de surprise. L'élément de surprise contribue aux accidents.
- b) Maintenez toujours la tronçonneuse solidement, avec les deux mains, la main droite placée sur la poignée arrière et la main gauche placée sur la poignée avant, lorsque le moteur est en marche. Utilisez une prise ferme avec le pouce et les doigts encerclant les poignées de la tronçonneuse. Une prise ferme vous aidera à réduire l'effet de rebond et garder le contrôle de la tronçonneuse. Ne lâchez pas la tronçonneuse ;
- c) Assurez-vous que la zone dans laquelle vous coupez est dégagée de tout obstacle. Ne laissez pas le nez du guide-chaîne entrer en contact avec une bûche, une branche ou tout autre obstacle qui pourrait être touché pendant que vous utilisez la tronçonneuse.
- d) Sciez avec une vitesse de moteur élevée.
- e) N'essayez pas d'atteindre des endroits difficiles à atteindre, ni de scier avec la tronçonneuse positionnée plus haut que vos épaules;
- f) Respectez les instructions du fabricant concernant l'entretien et l'affûtage de la

chaîne ;

- g) Utilisez uniquement les guides et chaînes spécifiés par le fabricant ou de type équivalent.

Attention : L'utilisateur ne doit pas utiliser de chaîne de rechange à moins qu'elle n'ait été conçue pour répondre aux exigences de prévention des rebonds ANSI B175.1- (révision actuelle de la norme) sur cette tête motrice spécifique, ou qu'elle ait été désignée comme chaîne de scie à faible risque de rebond conformément à ANSI B 175.1- (révision actuelle de la norme); La chaîne de scie à faible risque de rebond est une chaîne qui a satisfait aux exigences de prévention des rebonds de la norme ANSI B 175.1 - (révision actuelle de la norme) (Norme nationale américaine des exigences de sécurité concernant les outils électriques / tronçonneuses à essence) lorsqu'elle est testée sur l'échantillon représentatif des tronçonneuses inférieures à 3,8 cid spécifié dans ANSI B 175.1- (révision actuelle de la norme).



AVERTISSEMENT !

Attention aux rebonds ! Les rebonds peuvent entraîner une dangereuse perte de contrôle de l'appareil et provoquer des blessures graves voire mortelles à l'utilisateur ou aux personnes se trouvant à proximité ! Les rebonds par pincement ou par rotation constituent le principal danger lié à l'utilisation de cet appareil, et sont la cause principale des accidents ; restez vigilant à tout instant !

Un rebond peut se produire quand la pointe ou l'avant du guide-chaîne touche un objet, ou quand la pièce de bois plie au niveau de la ligne de coupe en pinçant la chaîne dans la coupe. Dans certains cas, le contact entre le bout du guide-chaîne et un objet peut engendrer une réaction ultra-rapide qui projette le guide-chaîne vers le haut ou vers l'utilisateur.

Si la chaîne est pincée contre le bord inférieur du guide-chaîne l'appareil peut être projeté brutalement vers l'avant loin de l'opérateur (« patinage »).

Si la chaîne est pincée contre le bord supérieur du guide, celui-ci peut être projeté brutalement vers l'arrière (« rebond »). Chacune de ces réactions peut vous faire perdre le contrôle de l'appareil et provo-

quer des blessures corporelles graves voire mortelles. Une connaissance basique du phénomène du « rebond » permet de réduire le facteur de surprise, voire de l'éliminer. La majorité des accidents intervient quand l'utilisateur est surpris par le rebond. Maintenez toujours la tronçonneuse solidement, avec les deux mains, la main droite placée sur la poignée arrière et la main gauche placée sur la poignée avant, lorsque le moteur est en marche. Utilisez une prise ferme avec le pouce et les doigts encerclant les poignées de la tronçonneuse. Une prise ferme vous aidera à réduire l'effet de rebond et garder le contrôle de la tronçonneuse. Avant d'utiliser l'appareil pour la première fois, lisez attentivement les mises en garde et les instructions d'utilisation dans leur intégralité.

Afin d'éviter les risques de rebond :

1. Coupez avec le guide-chaîne en angle plat.
2. Ne faites jamais fonctionner l'appareil avec une chaîne détendue, relâchée ou trop usée.
3. Vérifiez que la chaîne est correctement affûtée
4. Ne coupez jamais avec le bout du guide-chaîne.
5. Tenez toujours l'appareil solidement, avec les deux mains.
6. Tenez toujours l'appareil solidement, avec les deux mains.
7. Utilisez toujours une chaîne de faible rebond.
8. Utilisez la griffe d'abattage métallique comme point d'appui.
9. Assurez-vous que la chaîne reste assez tendue.
10. Coupez toujours avec le moteur à pleine vitesse.
11. Ne laissez pas le nez du guide-chaîne entrer en contact avec une bûche, une branche ou tout autre obstacle lorsque vous utilisez la tronçonneuse.
12. Respectez les instructions du fabricant concernant l'entretien et l'affûtage de la chaîne.
13. Utilisez uniquement les guides et chaînes spécifiés par le fabricant, ou de type équivalent.



AVERTISSEMENT !

La plupart des accidents liés aux rebonds interviennent pendant l'ébranchage ! Lors

de la coupe de branches sous tension, faites particulièrement attention à la position de la zone de rebond du guide-chaîne.

Réduction du bruit et des vibrations

Afin de minimiser l'exposition aux vibrations et au bruit, limitez le temps d'utilisation :

Afin de minimiser l'exposition au bruit et aux vibrations, tenez compte des points suivants :

1. Utilisez l'outil exclusivement tel que prévu par sa conception et ces instructions.
 2. Veillez à ce que l'outil reste en bon état et soit bien entretenu.
 3. Utilisez le guide-chaîne et la chaîne appropriés pour le produit.
 4. Gardez toujours une bonne prise sur les poignées / surfaces de préhension.
 5. Entretenez ce produit conformément à ces instructions et gardez-le bien lubrifié
 6. Si vous devez travailler avec un outil générant de fortes vibrations, planifiez votre travail pour l'étaler sur une durée plus longue.
 7. L'utilisation prolongée d'un outil expose l'utilisateur à des vibrations pouvant entraîner un ensemble de troubles collectivement appelés syndrome vibratoire main-bras (notamment les doigts qui deviennent blancs), ainsi que des maladies spécifiques telles que le syndrome du canal carpien.
- Afin de réduire les risques liés à l'utilisation de l'outil, portez toujours des gants de protection et gardez vos mains au chaud.
 - Les symptômes du syndrome des vibrations du système mains-bras peuvent être les suivants : Picotements et engourdissements dans les doigts ; perte de la sensation du toucher ; perte de la force dans les mains, les doigts qui deviennent blancs (blanchiment) lors de l'effort et deviennent rouges et douloureux lors de la récupération (en particulier dans un environnement froid et humide, et souvent tout d'abord sur le bout des doigts). Si vous présentez l'un de ces symptômes, consultez immédiatement un médecin.

Urgence

À l'aide du présent manuel d'instructions,

familiarisez-vous avec l'utilisation de cet appareil. Mémorisez les consignes de sécurité et appliquez-les à la lettre. Celles-ci contribuent à éviter les risques et les accidents.

1. Restez vigilant à tout instant lorsque vous utilisez cet appareil. Vous serez ainsi en mesure d'anticiper les risques et de les gérer. Une réaction rapide permet de réduire les risques de dommages corporels et matériels.
2. En cas de dysfonctionnement, arrêtez le moteur et débranchez le connecteur de la bougie. Faites réviser l'outil par un professionnel qualifié et faites-le réparer si nécessaire avant de le réutiliser.
3. En cas d'incendie, arrêtez le moteur. Si l'interrupteur de l'appareil n'est plus accessible, prenez immédiatement les mesures qui s'imposent pour éteindre l'incendie.



AVERTISSEMENT !

N'essayez en aucun cas d'éteindre l'incendie avec de l'eau. Les feux de carburant s'éteignent au moyen d'agents extincteurs spéciaux. Nous vous recommandons de garder un extincteur adéquat à portée de main dans la zone de travail.

Risques résiduels

Même si vous utilisez cet outil conformément à toutes les exigences de sécurité, des risques potentiels de blessure et de dommage persistent. Du fait du mode de fabrication et de fonctionnement de l'outil, vous pouvez notamment être exposé aux risques suivants :

1. Des problèmes de santé dus aux émissions vibratoires si l'outil est utilisé pendant une durée trop longue ou s'il n'est pas correctement utilisé et entretenu.
2. Des blessures corporelles et dommages matériels dus au bris des accessoires de coupe ou à l'impact soudain sur des objets non visibles pendant l'utilisation.
3. Dommages aux biens et aux personnes résultant de la projection d'objets.
4. L'utilisation prolongée de cet appareil expose l'utilisateur à des vibrations et peut entraîner la maladie dite des « doigts blancs » ou maladie de Raynaud. Afin de réduire ce risque, mettez

toujours des gants pour garder vos mains au chaud. En cas d'apparition d'un des symptômes de la maladie de Raynaud, consultez immédiatement un médecin. Les symptômes de la maladie de Raynaud sont les suivants : engourdissement, perte de sensation, picotements, démangeaisons, douleurs, affaiblissement, changement de couleur ou d'état de la peau. En général, ces symptômes apparaissent dans les doigts, les mains ou les poignets. Plus la température est basse, plus le risque est élevé.



AVERTISSEMENT !

Cet appareil génère un champ électromagnétique pendant qu'il fonctionne ! Dans certaines circonstances, ce champ magnétique peut interférer avec les implants médicaux actifs ou passifs ! Afin de réduire le risque de blessures graves, voire mortelles, les personnes portant des implants médicaux doivent consulter leur médecin et le fabricant de leur implant avant d'utiliser ce produit !

Domaine d'utilisation

Cette tronçonneuse est classée par la CSA comme une scie de classe 1C. Elle est conçue pour des utilisations occasionnelles par les particuliers, les propriétaires de maison de campagne, les campeurs, et pour des travaux généraux, tels que couper du bois de chauffage, élaguer, défricher, etc. Elle n'est pas conçue pour des utilisations prolongées. Un fonctionnement prolongé peut provoquer des problèmes de circulation dans les mains de l'utilisateur en raison des vibrations.



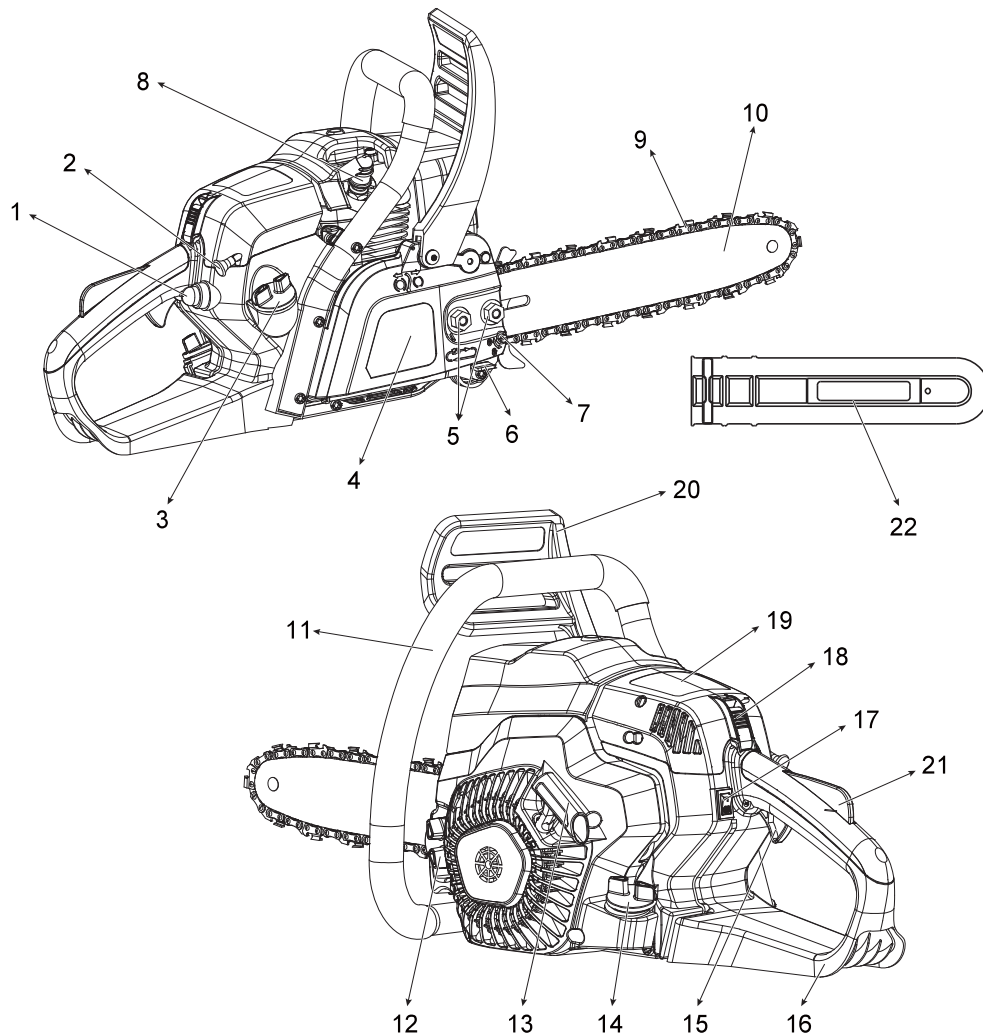
AVERTISSEMENT !

Les tronçonneuses doivent être utilisées conformément aux instructions d'utilisation et aux consignes de sécurité énumérées dans le manuel d'instructions. Il incombe au propriétaire de veiller à ce que ces instructions et précautions soient données à chaque opérateur qui utilise la tronçonneuse.

DESCRIPTION DE VOTRE OUTIL

Modèle : CS4QL-L1

Pour l'ébranchage de base, l'abattage, la coupe du bois.



1	Poire d'amorçage	12	Bouchon du réservoir d'huile de chaîne
2	Bouton du démarreur	13	Poignée et corde du démarreur
3	Bouchon du réservoir d'essence	14	Bouchon du réservoir d'essence (noir)
4	Carter d'embrayage	15	Gâchette d'accélération
5	Ecrous de montage du guide	16	Poignée arrière
6	Attrape-chaîne	17	Bouton marche / arrêt
7	Vis de tension de la chaîne	18	Levier du filtre à air
8	Bougie d'allumage	19	Couvercle du filtre à air
9	Chaîne	20	Frein de chaîne
10	Guide-chaîne	21	Bouton de déverrouillage de la gâchette
11	Poignée avant	22	Protection du guide-chaîne (fourreau)

SPÉCIFICATIONS*

Modèle	CS4QL-L1
Cylindrée du moteur	49 cc
Puissance nominale d'entrée	1600 W
Vitesse à vide	9000±10% tr
Vitesse maximale de la chaîne	18,1 m/s
Capacité du réservoir d'huile de moteur	3,38 oz. (100 ml)
Capacité du réservoir d'huile de chaîne	10,15 oz.(300 ml)
Capacité du réservoir d'essence	13,53 oz.(400 ml)
Modèle de chaîne	91PJ062X OREGON
Modèle de guide-chaîne	180SDEA041 OREGON
Rayon de la pointe du guide-chaîne	0,67" (17 mm)
Longueur du guide-chaîne	18" (457 mm)
Longueur de coupe	15m98" (406 mm)
Poids de la machine (avec chaîne et guide-chaîne)	13,58 lbs (6,16 kg)

DÉBALLAGE

Avant d'utiliser ce produit, familiarisez-vous avec toutes les caractéristiques de fonctionnement et les règles de sécurité.

Tronçonneuse

Avant de commencer le travail, inspectez la tronçonneuse pour déceler tout dommage potentiel sur le boîtier, sur la chaîne de la scie ou sur le guide-chaîne. N'utilisez jamais une machine manifestement endommagée.

Bouton du démarreur

Le bouton du démarreur ouvre et ferme la valve du starter dans le carburateur. Les positions disponibles incluent PLEIN GAZ et MARCHÉ.

Clé à bougie et clé torx

Une clé à bougie et un outil pour clé torx sont fournis afin de pouvoir exécuter diverses procédures de maintenance.

De plus, la clé à bougie peut être utilisée pour régler la tension de la chaîne.

Frein de chaîne / protège-main avant

Le frein de chaîne est conçu pour empêcher rapidement la chaîne de tourner. Lorsque le frein de chaîne / protège-main avant est poussé vers la barre, la chaîne doit s'arrêter immédiatement. Le frein de chaîne ne permet pas d'empêcher un rebond de se produire.

Chaîne

Vérifiez la tension de la chaîne et l'état de la chaîne. Plus la chaîne est affûtée, plus les opérations de coupe seront simples et efficaces. Le même principe s'applique à la tension de la chaîne. Vérifiez la tension toutes les 10 minutes au cours du travail afin d'optimiser la sécurité. Les chaînes neuves, notamment, sont soumises à des modifications du fait de la chaleur générée au cours du travail.

Poire d'amorçage

La poire d'amorçage pompe l'essence du réservoir de carburant vers le carburateur.

Gâchette d'accélération

La gâchette d'accélération est utilisée pour contrôler la vitesse de la chaîne.

Vêtements de protection

Assurez-vous de porter des vêtements de protection ajustés tels que des pantalons de protection, des gants et des chaussures de sécurité. Portez un casque, une protection auditive et un masque facial pour vous protéger contre la chute et les mouvements de recul des branches.

Fourreau du guide-chaîne

Alignez et poussez le fourreau du guide-chaîne sur la chaîne et le guide-chaîne pour le fixer.



AVERTISSEMENT

Si l'une des pièces de la tronçonneuse est manquante ou endommagée, cessez de l'utiliser jusqu'à ce que la pièce en question ait été changée ou réparée.

REMARQUE : L'huile pour la chaîne et le guide-chaîne n'est pas incluse. Vous devez remplir la tronçonneuse avec de l'huile de chaîne avant l'utilisation.

REMARQUE : Retirez le fourreau du guide avant utilisation.

Liste des pièces

Tronçonneuse 49 cc	x 1
Bouteille d'huile de moteur	x 1
Clé Torx	x 1
Clé à bougie	x 1
Fourreau du guide-chaîne	x 1
Guide de prise en main rapide	x 1
Manuel d'instructions	x 1

La chaîne est livrée entièrement assemblée. NE JETEZ PAS la boîte et les éléments d'emballage avant d'avoir examiné l'ensemble des pièces.

Tendre la chaîne



AVERTISSEMENT

Les bords de coupe de la chaîne sont tranchantes. Ne manipulez jamais la chaîne sans mettre des gants.



AVERTISSEMENT

La chaîne doit être gardée tendue EN PERMANENCE. Le risque de rebond augmente si la chaîne est détendue. Une chaîne détendue peut en outre sauter en dehors de la fente du guide-chaîne. La chaîne risquerait alors d'être endommagée et de blesser l'utilisateur. Enfin, une chaîne détendue accélère l'usure du guide-chaîne, du pignon et de la chaîne elle-même. La durée de vie de la chaîne de la tronçonneuse dépend principalement du graissage et de la tension. Évitez de tendre la chaîne si elle est chaude, car cela la rendrait plus tendue une fois refroidie.

1. Vérifiez la tension de la chaîne en tirant dessus pour la décoller du guide-chaîne. Si la chaîne est tendue correctement, il doit être possible de la décoller d'environ 3 mm (0,12 pouces) du guide-chaîne (schéma 1).

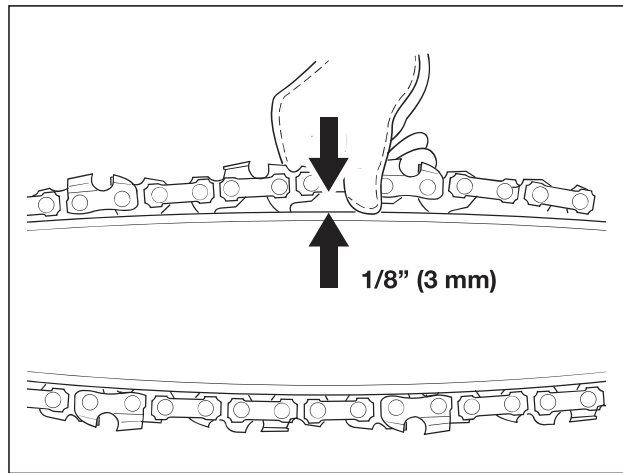


Schéma 1

2. Si des réglages sont nécessaires, desserrez d'abord les écrous de montage du guide-chaîne, puis desserrez la vis de tension de la chaîne en la tournant dans le sens inverse des aiguilles d'une montre avec la clé à bougie (schéma 2).

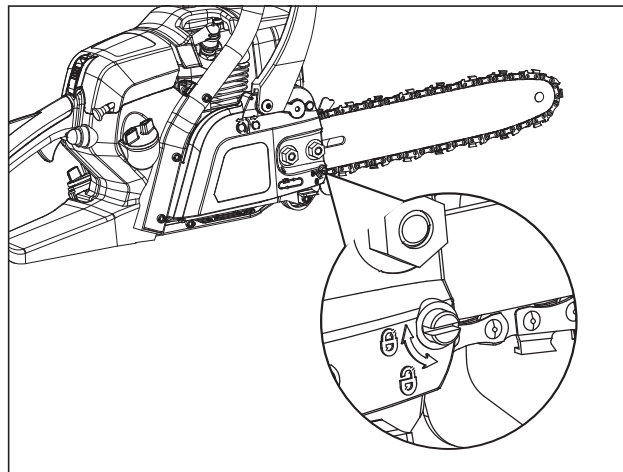


Schéma 2

3. Évitez de trop tendre la chaîne : cela accélérerait son usure et réduirait sa durée de vie ainsi que celle du guide-chaîne.

Remarque : La chaîne doit être tendue correctement afin d'assurer un fonctionnement sûr. Puisque la chaîne chauffe au cours du travail, sa longueur est soumise à des fluctuations. Vérifiez la tension de la chaîne toutes les 10 minutes de travail et ajustez-la si nécessaire, notamment si la chaîne est neuve. Détendez la chaîne une fois le travail terminé, car elle raccourcira en refroidissant. Vous éviterez ainsi tout risque d'endommagement et optimiserez la durée de vie de la chaîne.

Généralités

1. Avant chaque utilisation, examinez la tronçonneuse ainsi que le guide-chaîne et la chaîne afin de vous assurer qu'ils sont en bon état. N'utilisez pas la tronçonneuse si celle-ci présente des signes de détérioration ou d'usure.
2. Vérifiez le niveau de l'huile de chaîne, l'huile de moteur et du carburant, et rajoutez-en si nécessaire.
3. Tenez toujours la tronçonneuse par ses poignées. Afin d'assurer une bonne prise, les poignées doivent rester sèches et sans taches de graisse.
4. Assurez-vous que le filtre à air est toujours non obstrué et dégagé. Si nécessaire, nettoyez-les à l'aide d'une brosse souple. Si le filtre à air est obstrué, l'appareil risque de surchauffer et d'être endommagé.
5. Éteignez immédiatement la tronçonneuse si vous êtes distrait(e) par des personnes qui pénètrent dans votre zone de travail. Laissez toujours la tronçonneuse s'arrêter complètement avant de la poser.
6. Ne vous surmenez pas. Faites des pauses régulières, cela vous permettra d'être plus concentré sur votre travail et de mieux garder le contrôle de l'appareil.



AVERTISSEMENT

Dans certains pays, des réglementations définissent les horaires et les jours spéciaux pendant lesquels ce type d'appareil peut être utilisé, ainsi que les restrictions d'utilisation en vigueur. Renseignez-vous auprès de votre collectivité locale et respectez les réglementations ; vous éviterez ainsi de commettre des infractions administratives et d'entrer en conflit avec vos voisins.

Contrôle de l'huile moteur (bouchon noir)

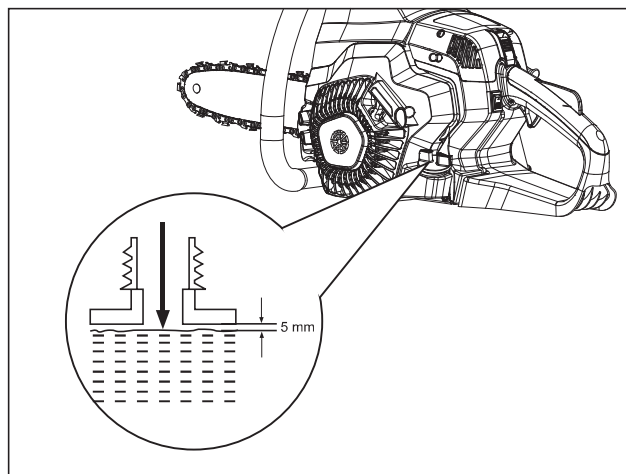


Schéma 3

1. Lors de la première utilisation : Ouvrez le bouchon du réservoir d'huile de moteur, versez 100 ml d'huile de moteur 4 temps fournie dans le réservoir d'huile de moteur.
2. Pour une utilisation ultérieure : Ouvrez le bouchon du réservoir d'huile de moteur et vérifiez le niveau d'huile. Si le niveau d'huile est supérieur à 0,39-0,79 pouces (10-20 mm), sous le filetage de la vis,

veuillez remplir le réservoir d'huile.

3. Ne remplissez pas trop le réservoir et laissez un espace d'environ 5 mm (0,20 pouces) entre le niveau supérieur de l'huile et le bord intérieur du réservoir pour permettre l'expansion (schéma 3).
4. Resserrez solidement le bouchon.

Huile de lubrification de la chaîne



AVERTISSEMENT

Le produit n'est pas rempli d'huile pour la chaîne et le guide-chaîne. Il est indispensable de faire le plein d'huile de chaîne avant d'utiliser la tronçonneuse. N'utilisez jamais la tronçonneuse sans huile de chaîne car cela pourrait l'endommager considérablement !

Si le niveau d'huile descend en dessous d'un quart de sa capacité, faites le plein avec de l'huile pour chaîne et guide-chaîne adéquate. Pour remplir le réservoir d'huile :

Si vous faites fonctionner la tronçonneuse avec une chaîne sèche ou insuffisamment lubrifiée, son efficacité s'en trouvera amoindrie, sa durée de vie sera raccourcie, et la surchauffe entraînera une usure très rapide de la chaîne et du guide-chaîne.

La décoloration du guide-chaîne et l'émission de fumée sont les signes d'une quantité insuffisante d'huile de chaîne. Une lubrification adéquate de la chaîne pendant les travaux de coupe est essentiel afin de minimiser la friction de la chaîne avec le guide-chaîne.

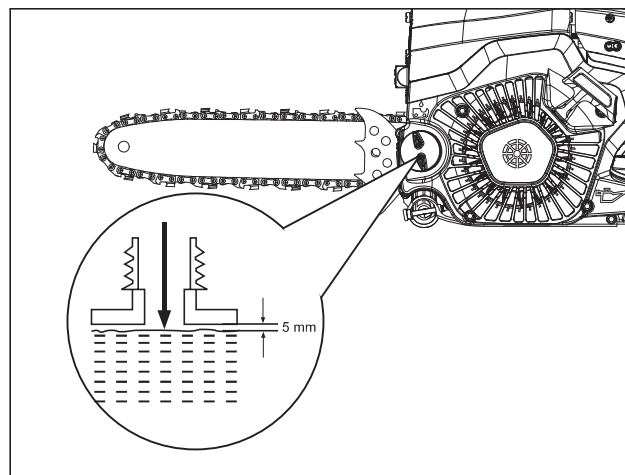


Schéma 4

1. Positionnez le produit de manière à ce que le guide et le bouchon du réservoir d'huile de chaîne soit orienté vers le haut.
2. Ouvrez le bouchon et vérifiez le niveau d'huile. Si le niveau d'huile est supérieur à 10-20 mm (0,39-0,79 pouces), sous le filetage de la vis, veuillez remplir le réservoir.
3. Ne remplissez pas trop le réservoir et laissez un espace d'environ 5 mm (0,20 pouces) entre le niveau supérieur de l'huile et le bord intérieur du réservoir pour permettre l'expansion (schéma 4).
4. Resserrez solidement le bouchon.

Remarque : Il est recommandé d'utiliser de l'huile pour les chaînes et guide-chaînes.

Remplissage du réservoir d'essence

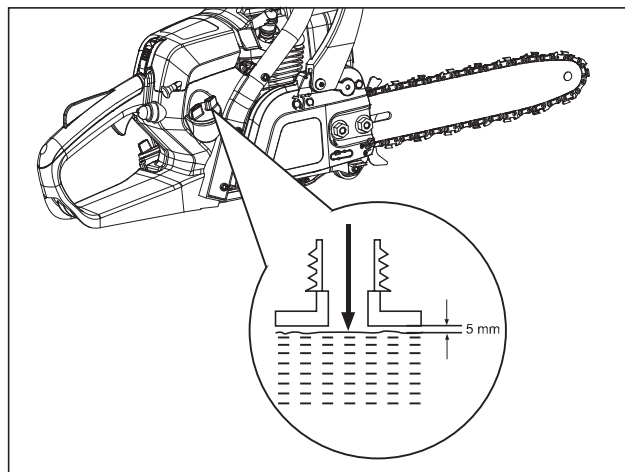


Schéma 5



AVERTISSEMENT

Vérifiez qu'il n'y a pas de fuite de carburant. Un bouchon de carburant, un réservoir ou une conduite de carburant qui fuit présente un risque d'incendie et doit être remplacé immédiatement. En cas de fuite, corrigez le problème avant d'utiliser le produit. Le non-respect de cette consigne peut entraîner un incendie pouvant entraîner des blessures graves.



AVERTISSEMENT

L'essence et ses vapeurs sont hautement inflammables et explosives. Pour éviter de vous blesser gravement ou d'endommager du matériel, manipulez-le avec précaution. Gardez l'essence éloignée des sources d'inflammations et des flammes nues. Toute manipulation doit se faire à l'extérieur uniquement. Ne fumez pas et essuyez immédiatement tout écoulement.

1. Positionnez le produit de manière à ce que le réservoir d'essence soit orienté vers le haut et enlevez le bouchon du réservoir d'essence.
2. Remplissez soigneusement le réservoir avec de l'essence sans plomb (10% d'éthanol ou moins) sans trop le remplir. Laissez un minimum de 5 mm (0,20 pouces) d'espace entre la surface de l'essence et le bord intérieur du réservoir pour permettre son expansion (schéma 5).
3. Resserrez fermement le bouton du réservoir d'essence.

REMARQUE : Il est normal que le moteur émette de la fumée pendant et après la première utilisation.



AVERTISSEMENT

Éteignez toujours le moteur avant de faire le plein. Ne retirez jamais le bouchon de carburant et n'ajoutez pas de carburant si le moteur est en marche ou est chaud. Assurez-vous que l'appareil repose sur une surface plane et nivelée et n'ajoutez du carburant qu'à l'extérieur. Si le moteur est chaud, laissez-le refroidir pendant au moins cinq minutes avant d'ajouter du carburant. Remettez immédiatement le bouchon du réservoir d'es-

sence en place et serrez fermement. Éloignez-vous d'au moins 3 mètres (118,1 pouces) du site de ravitaillement en carburant avant de démarrer le moteur. Ne fumez pas et restez éloigné(e) des flammes nues et des étincelles. Si ces instructions ne sont pas respectées, cela pourrait entraîner un incendie et causer de blessures graves.

Démarrer le moteur à froid

1. Tirez doucement le frein de chaîne vers la poignée avant (schéma 6).

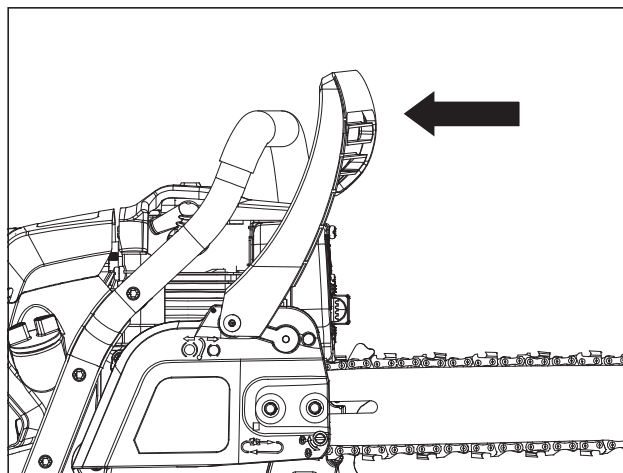


Schéma 6

2. Donnez 6 à 10 pressions lentes mais fermes sur la poire d'amorçage jusqu'à ce que du carburant pénètre dans la poire d'amorçage (schéma 7).
3. Tirez complètement le bouton du starter jusqu'à la position PLEIN GAZ (schéma 7).

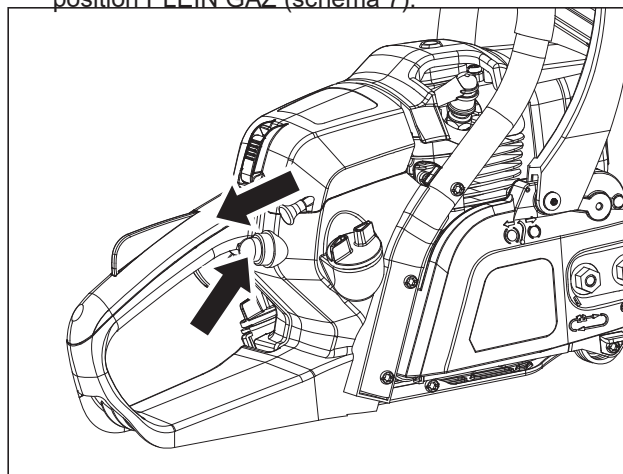


Schéma 7

4. Tenez fermement le produit avec la main gauche sur la poignée avant et la main droite sur la protection de la main arrière sans toucher à la gâchette d'accélération, tirez 5 fois sur la poignée du démarreur et la corde jusqu'à ce que le moteur démarre (schéma 8).
5. Poussez le bouton du starter en position de MARCHE (schéma 9).
6. Puis, tirez la corde du démarreur jusqu'au démarrage du moteur.

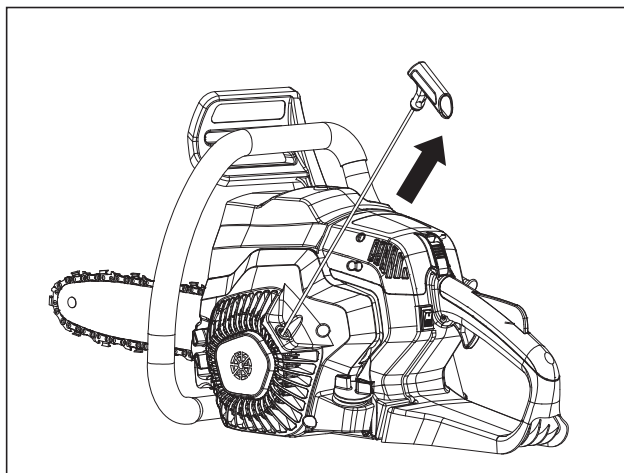


Schéma 8

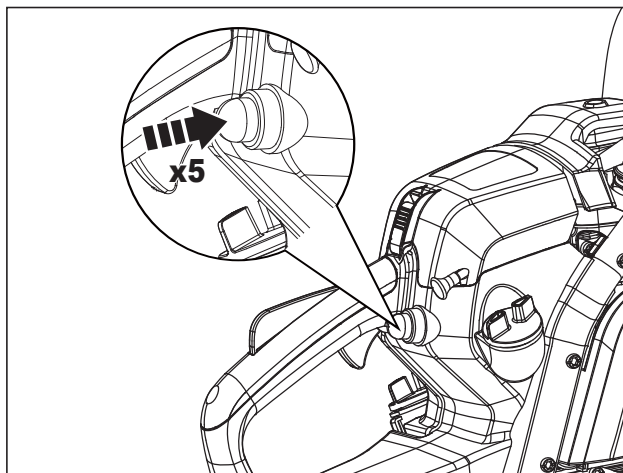


Schéma 10

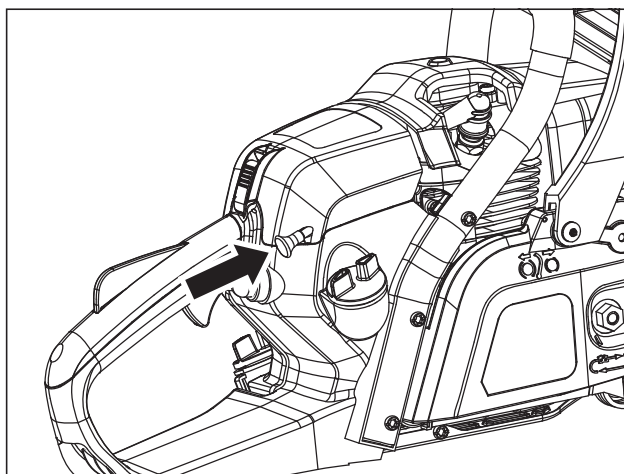


Schéma 9

Tirez le bouton du starter à fond en position PLEIN GAZ.

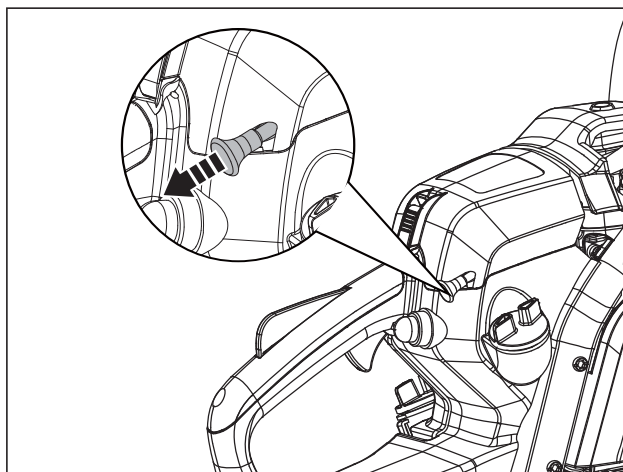


Schéma 11

AVERTISSEMENT

Le bouton du starter doit être mis en position de « MARCHE » immédiatement en appuyant sur la gâchette d'accélération après un démarrage à froid, sinon le moteur pourrait être endommagé en raison d'un fonctionnement continu avec un starter fermé.

Remarque : Lorsque le moteur tourne à vide à haute vitesse, vous pouvez entendre le limiteur de vitesse du moteur contrôlant le régime maximal. Le son est normal. Lorsque la scie est sous la charge d'une coupe, le son devient stable.

Démarrer le moteur à chaud

Appuyez 5 fois sur la poire d'amorçage jusqu'à ce que du gaz soit visible dans la poire d'amorçage et la conduite de carburant. (schéma 10)

Appuyez sur le bouton du starter. Le starter est maintenant en position de marche.

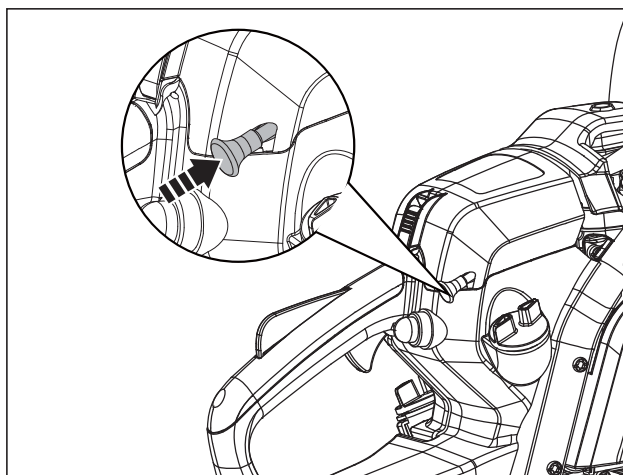


Schéma 12

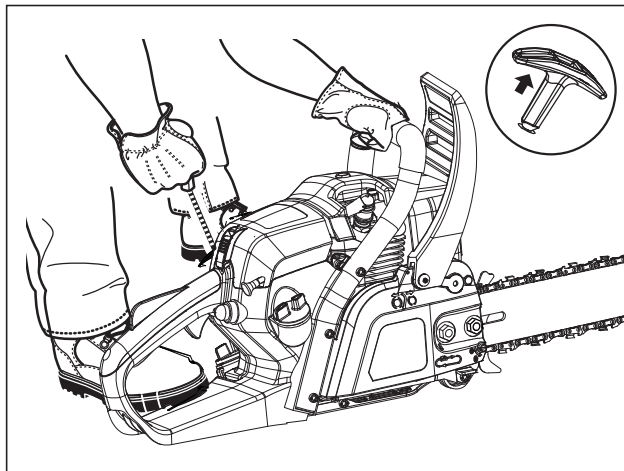


Schéma 13

Tirez rapidement la corde du démarreur jusqu'au démarrage du moteur. Si le moteur ne démarre pas, suivez la procédure de démarrage à chaud.

REMARQUE : Si le moteur ne démarre pas, le moteur peut être noyé. L'inondation est causée par une trop grande quantité de mélange de carburant appliqué au mauvais moment et peut empêcher la machine de démarrer.

Suivez la procédure ci-dessous :

- Poussez complètement le bouton du starter en position de MARCHE.
- Enlevez la bougie d'allumage et faites-la sécher.
- Tirez plusieurs fois sur la poignée du démarreur pour vidanger le carburant hors de la chambre de combustion.
- Essuyez la zone autour du trou de la bougie et remettez la bougie en place. Serrez jusqu'au couple approprié. Attendez que le moteur refroidisse puis démarrez l'appareil tel que décrit dans le paragraphe « Démarrage à froid ».

Lorsque vous êtes prêt(e) à couper, appuyez et maintenez la gâchette avec votre main, tout en appuyant sur la gâchette d'accélérateur (schéma 14).

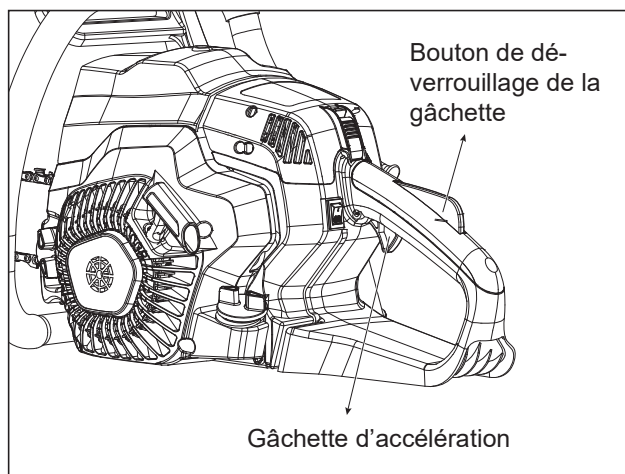


Schéma 14

REMARQUE : Le relâchement de la gâchette réduit le risque de démarrage accidentel.

Pour éteindre l'appareil, relâchez la gâchette d'accélérateur. et appuyez sur l'interrupteur marche / arrêt en position d'arrêt.

Frein de chaîne

Le frein de chaîne est un mécanisme de sécurité. En cas de rebond, la chaîne s'arrête immédiatement lorsque le frein de chaîne est engagé (schéma 15, schéma 16).

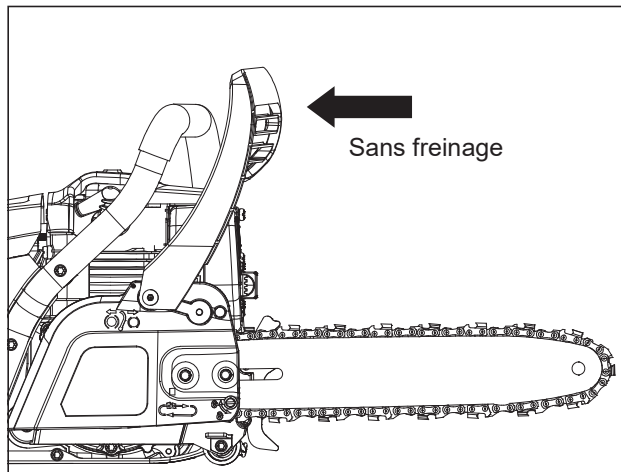


Schéma 15

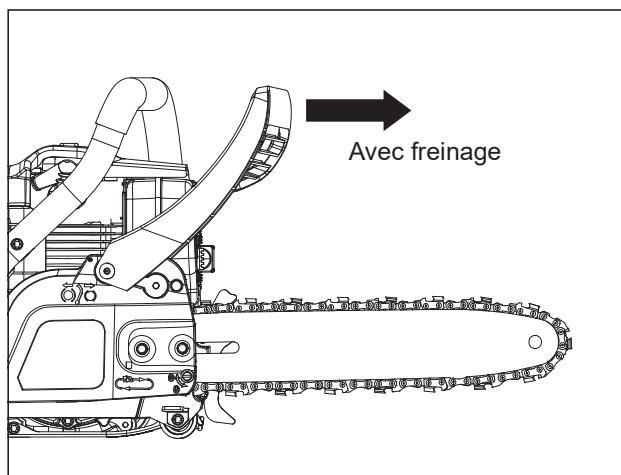


Schéma 16

Les contrôles fonctionnels décrits ci-après sont à effectuer avant chaque utilisation. Le test du frein de chaîne a pour but de réduire les risques de blessures consécutives aux rebonds :

1. Démarrez la tronçonneuse comme décrit ci-dessus.
2. Appuyez sur le bouton de déverrouillage de la gâchette, puis appuyez à fond sur la gâchette d'accélération avec votre index et laissez-la enfoncée.
3. Alors que le moteur est en marche, activez le frein de chaîne en passant votre main gauche en avant contre le protège-main avant. La tronçonneuse doit s'arrêter immédiatement.
4. Relâchez la gâchette d'accélération.
5. Tirez le frein de chaîne en position non freinée.

AVERTISSEMENT

Si la tronçonneuse ne s'immobilise pas alors que la poignée de frein est enclenchée, amenez l'appareil au magasin agréé le plus près de chez vous ou faites-le inspecter par un technicien qualifié. N'utilisez pas l'appareil si la poignée de frein ne fonctionne pas correctement.

AVERTISSEMENT

Le protège-main avant ne peut être utilisé que pour un contrôle de courte durée et une urgence. Il ne doit pas être utilisé pour démarrer ou arrêter le produit en fonctionnement normal ! Sinon, l'embrayage et / ou le carter d'embrayage sera endommagé !

Vitesse de la chaîne

La tronçonneuse ne doit pas bouger lorsque le moteur tourne au ralenti sans avoir appuyé sur la gâchette d'accélération.

AVERTISSEMENT

Si la chaîne effectue un mouvement, arrêtez immédiatement le moteur ! Attendez que toutes les pièces mobiles s'arrêtent ! Contactez un centre de service autorisé ou une personne de qualification similaire pour réajuster le régime de ralenti !

Vérification de la lubrification de la chaîne

La lubrification de la chaîne doit être vérifiée une fois que tout le reste est prêt avant de procéder à la coupe. Cette tronçonneuse est munie d'un système de lubrification automatique. Ce système permet de libérer au fur et à mesure l'huile nécessaire à la chaîne et au guide-chaîne.

Lancez le moteur, laissez-le tourner à vitesse moyenne et vérifiez que l'huile de chaîne est libérée comme sur l'illustration ci-contre (Schéma 17).

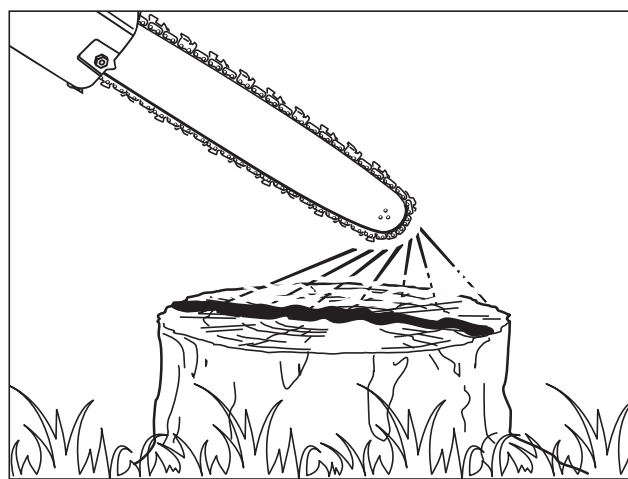


Schéma 17

Procédure de coupe

1. Pour vous entraîner, suivez une formation à l'utilisation des tronçonneuses : vous y apprendrez à utiliser les tronçonneuses d'une manière sûre et efficace. Familiarisez-vous avec les boutons et contrôles. Pratiquez tous les différents mouvements avec l'appareil éteint.
2. Tenez toujours l'appareil solidement, avec les deux mains. La main gauche sur la poignée avant et la main droite sur la poignée arrière. Tenez toujours les deux poignées solidement durant toute la durée du travail. Ne travaillez jamais en tenant l'appareil d'une seule main.
3. Vous devez impérativement être dans une position sûre lorsque vous utilisez l'appareil. Tenez l'appareil du côté droit de votre corps (schéma 18).

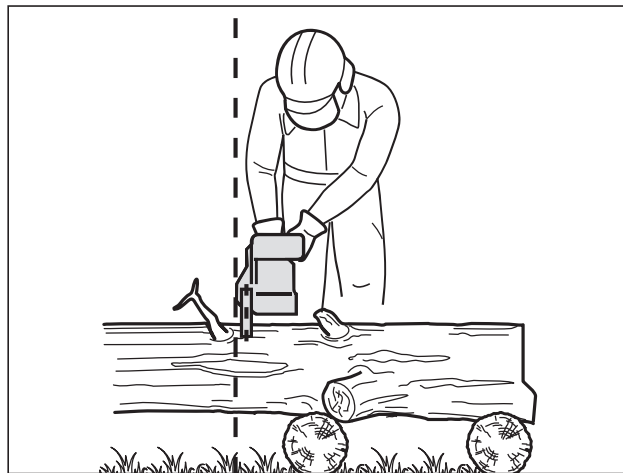


Schéma 18

4. Assurez-vous que l'objet de coupe ne dépasse pas la longueur de coupe utilisable de la tronçonneuse. La pointe du guide-chaîne doit toujours être maintenue à au moins 5 cm (1,97 pouces) à l'extérieur du contour de la bûche de bois.
5. Attendez que la tronçonneuse tourne à plein régime avant qu'elle soit mise en contact avec le bois. Avant de commencer la coupe, posez la griffe d'abattage sur le bois en appuyant sur la griffe d'abattage, puis servez-vous de la griffe d'abattage comme point de levier au cours de la coupe (schéma 19).

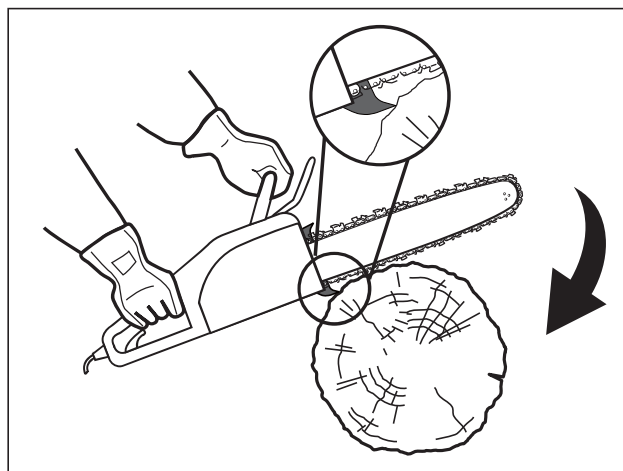


Schéma 19

6. Remplacez la griffe d'abattage à un point bas lors de la coupe de bûches plus épaisses en tirant légèrement le produit vers l'arrière jusqu'à ce que les dents de préhension se relâchent et repositionnez-le au niveau inférieur pour continuer à scier. Ne retirez pas complètement la tronçonneuse du bois.
7. Ne forcez jamais la tronçonneuse lors de la coupe : laissez la chaîne faire le travail et s'enfoncer progressivement dans le bois et contentez-vous d'exercer une pression minimale.
8. Ne tenez jamais l'appareil à bout de bras, et n'essayez pas de couper dans des endroits difficiles à atteindre, ou sur une échelle. Ne tenez jamais l'appareil au-dessus des épaules.
9. Le résultat est meilleur lorsque la chaîne tourne à vitesse constante pendant toute la coupe.
10. Faites attention lorsque vous arrivez à la fin de la coupe. Une fois libérée du bois, la tronçonneuse peut changer brusquement de poids. Cela peut provoquer des accidents aux jambes et aux pieds. N'éteignez jamais la tronçonneuse avant de l'avoir complètement libérée du bois.
11. Contrôlez la tension de la chaîne et réglez-la si nécessaire.



AVERTISSEMENT

La plupart des accidents liés aux rebonds interviennent pendant l'ébranchage ! Lors de la coupe de branches sous tension, faites particulièrement attention à la position de la zone de rebond du guide-chaîne.

Coupe d'arbre

1. Si les opérations de coupe et d'abattage sont effectuées simultanément par deux personnes ou plus, la distance entre chacun des sites de travail doit être égale à au moins deux fois la hauteur de l'arbre à abattre. Les coupes doivent s'effectuer de manière à ce que les chutes d'arbres ne représentent pas de danger pour les biens et les personnes, ni pour les câbles électriques. En cas de contact d'un arbre avec un câble électrique, prévenez immédiatement la compagnie en question.
2. L'utilisateur doit se tenir en amont de l'arbre, celui-ci étant plutôt susceptible de rouler ou de glisser vers l'aval après sa chute.
3. Avant le début de la coupe, il est indispensable de prévoir un itinéraire de retraite et de dégager tous les obstacles. L'itinéraire de retraite doit être dirigé vers l'arrière, en diagonale, du côté opposé à la direction de chute supposée (schéma 20).

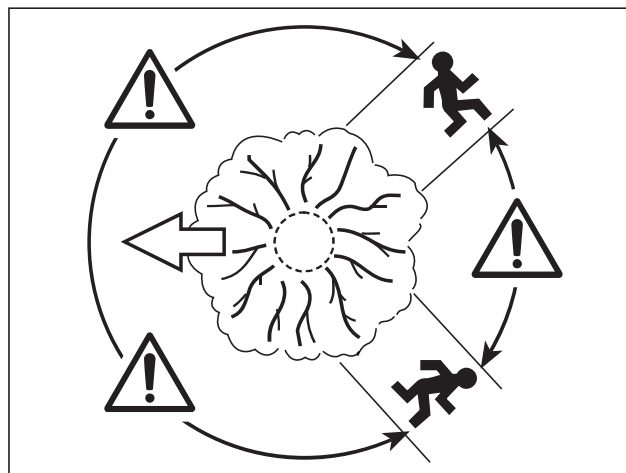


Schéma 20

4. Avant le début de la coupe, examinez la courbe de l'arbre, l'emplacement des grosses branches et le sens du vent ; ces facteurs permettent d'anticiper le sens de la chute de l'arbre.
5. Enlevez les éléments étrangers (cailloux, saletés, clous, agrafes, fils de fer, morceaux d'écorce) de l'arbre.

Entaille crantée et trait d'abattage

Effectuez l'entaille (B) d'une profondeur égale à 1/3 du diamètre de l'arbre, perpendiculairement au sens de la chute (schéma 9). Effectuez tout d'abord une coupe horizontale inférieure en entaillant le tronc. Cela permettra d'éviter de pincer la chaîne et le guide-chaîne lorsque la deuxième entaille est réalisée.

Le trait d'abattage (A) doit être situé au moins 5 cm (1,97 pouces) au-dessus de la ligne horizontale de l'entaille d'abattage (schéma 5). Gardez le trait d'abattage strictement parallèle à l'entaille horizontale. Laissez entre l'entaille et le trait d'abattage une épaisseur de bois assez conséquente pour pouvoir constituer une charnière. La charnière (C) a pour but d'éviter que l'arbre ne pivote et tombe dans la mauvaise direction. Ne coupez pas à travers la charnière.

À mesure que la tronçonneuse approche de la charnière, l'arbre doit commencer à vaciller. S'il existe une probabilité que l'arbre tombe dans la mauvaise direction ou penche vers l'arrière et coince la lame, arrêtez de couper avant d'avoir achevé le trait de coupe, puis enfoncez un coin en bois, en plastique ou en aluminium dans le trait pour forcer l'arbre à tomber dans la direction souhaitée.

Lorsque l'arbre commence à vaciller, sortez la tronçonneuse du bois, coupez le moteur, posez la tronçonneuse par terre, puis éloignez-vous en suivant l'itinéraire de retraite prévu. Gardez bien l'équilibre et faites attention aux chutes éventuelles de branches (schéma 21).

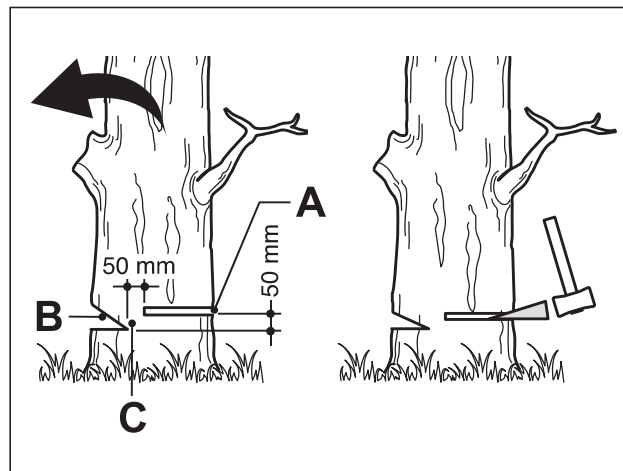


Schéma 21

Ébranchage et élagage

L'ébranchage consiste à enlever les branches d'un arbre abattu. Pendant l'ébranchage, laissez les grosses branches inférieures afin que le tronc reste en suspension au-dessus du sol. Enlevez les petites branches en une seule coupe. Les branches sous tension doivent être coupées par en dessous, afin d'éviter tout risque de coincement de la machine (schéma 22).

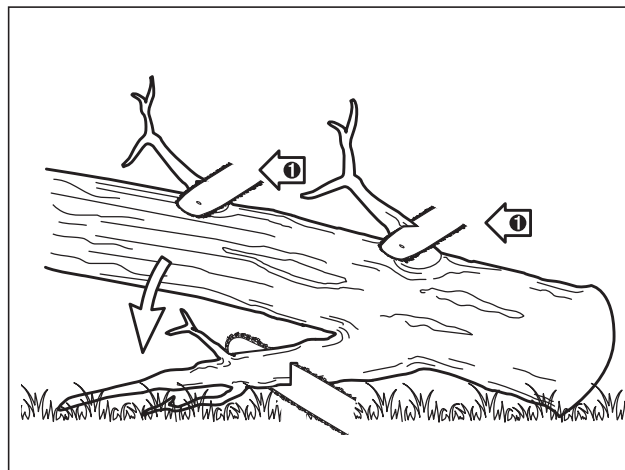


Schéma 22

Coupe de fouets

On appelle « fouet » une branche, une souche déracinée ou un arbrisseau qui est fléchi par un autre morceau de bois, de telle sorte qu'il se détend brusquement lorsque le morceau de bois qui le retient est coupé ou enlevé. Dans le cas d'un arbre abattu, il existe une forte probabilité pour que la souche déracinée se détende et revienne en position verticale une fois détachée du tronc. Les fouets sont dangereux, soyez vigilant(e) (schéma 23).

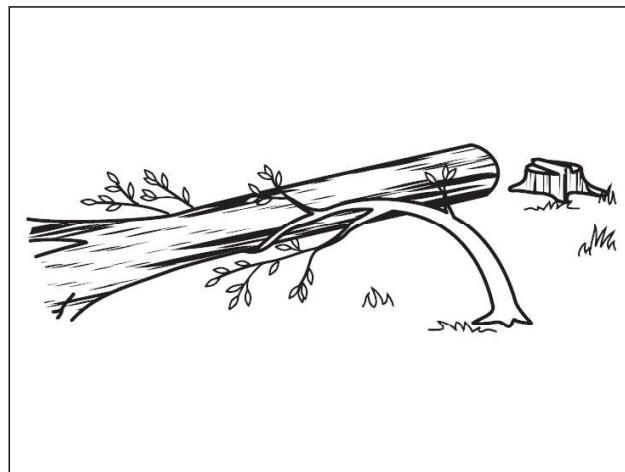


Schéma 23

Débitage d'un tronc

1. Pour une coupe plus facile, suivez les principes de base suivants. Si le tronc est soutenu sur toute sa longueur, coupez-le par le dessus (coupe par le haut) (schéma 24). Faites attention à ce que le guide-chaîne ne touche jamais le sol.

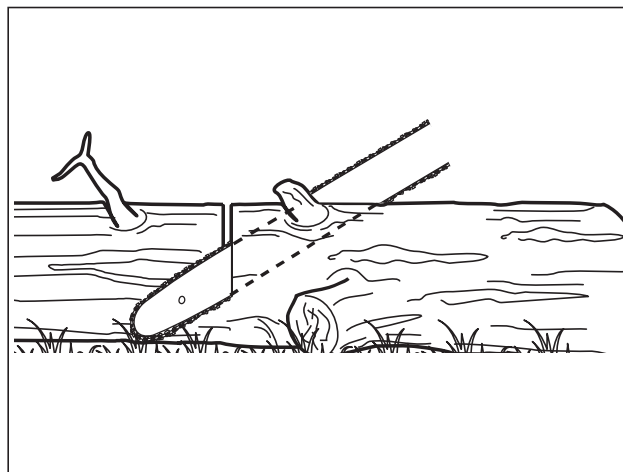


Schéma 24

2. Si le tronc est soutenu d'un côté, coupez environ 1/3 de son diamètre par en-dessous (coupe par le bas). Puis terminez la coupe par le haut, de manière à rejoindre la première entaille (schéma 25).

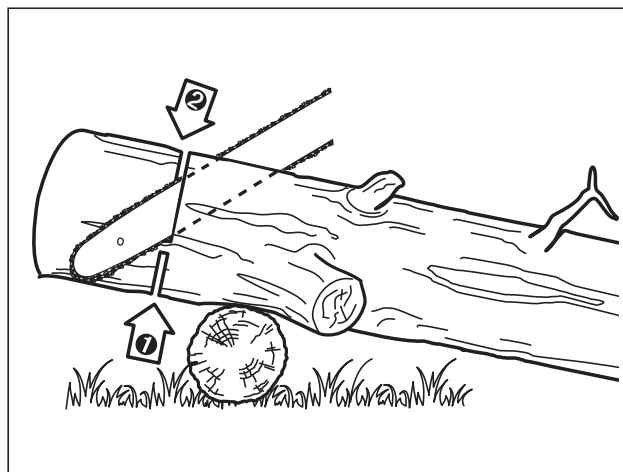


Schéma 25

3. Si le tronc est surélevé des deux côtés, coupez environ 1/3 de son diamètre par le dessus (coupe par le haut). Puis coupez les 2/3 restants par en dessous, de manière à rejoindre la première entaille (schéma 26).

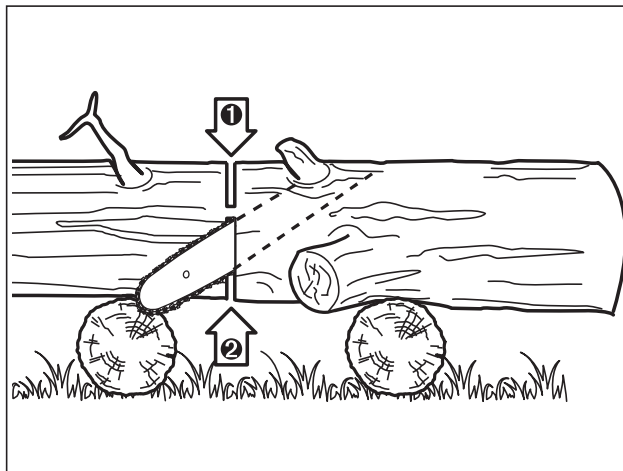


Schéma 26

4. Lorsque vous débitez un tronc placé sur un terrain en pente, placez-vous toujours en amont du tronc. Lorsque vous coupez toute la largeur d'un tronc en une seule fois, relâchez la pression à la fin de la coupe, mais sans desserrer votre pression sur les poignées de la tronçonneuse. Faites attention à ce que la chaîne ne touche jamais le sol. À la fin de la coupe, attendez l'arrêt complet de la chaîne avant de déplacer la tronçonneuse. Coupez toujours le moteur avant de passer d'un arbre à un autre (schéma 28).

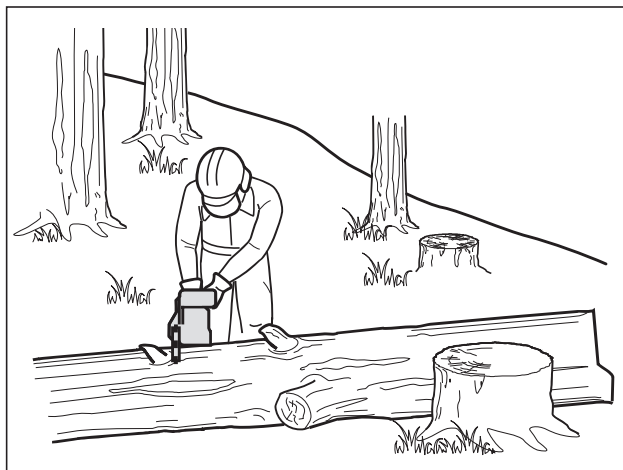


Schéma 28

5. Posez les petits rondins sur un tréteau ou sur un autre rondin pour les couper (schéma 29).

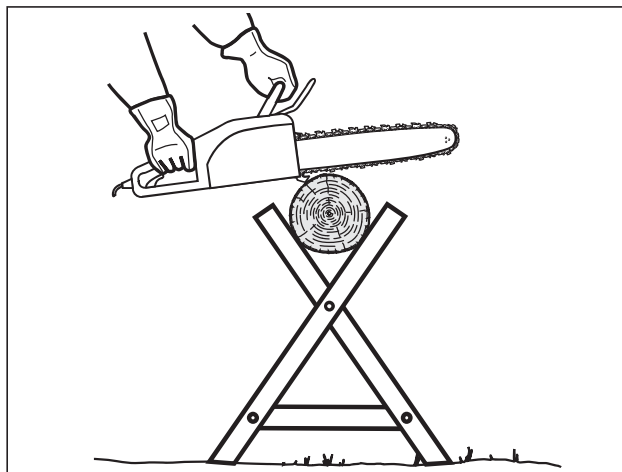


Schéma 29

6. Si le diamètre du rondin est suffisant pour insérer une cale sans toucher la chaîne, utilisez une cale pour maintenir le rondin en position et ainsi éviter les pincements (schéma 30).

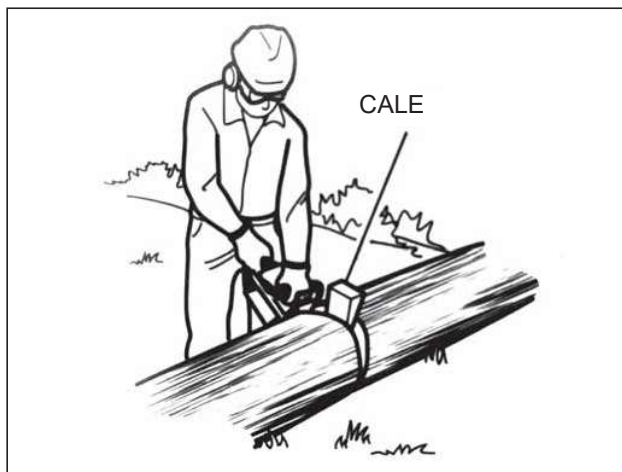


Schéma 30



AVERTISSEMENT

Éteignez l'appareil, laissez-le refroidir et débranchez le connecteur de la bougie avant d'effectuer toute manipulation de contrôle, de nettoyage ou d'entretien.

Entretenez ce produit régulièrement et avec soin ! Si le produit n'est pas correctement entretenu, il pourrait ne pas remplir sa tâche prévue, ce qui pourrait entraîner des conséquences fatales.

1. Gardez la tronçonneuse propre. Nettoyez-la après chaque utilisation et avant de la ranger.
2. Un nettoyage régulier et consciencieux permettra de prolonger la durée de vie de la tronçonneuse et de garantir qu'elle reste sûre.
3. Avant chaque utilisation, examinez l'appareil afin de vous assurer qu'aucune pièce n'est usée ou endommagée. Ne l'utilisez pas si vous constatez que des pièces sont cassées ou usées.



AVERTISSEMENT

N'essayez pas d'effectuer d'autres opérations de réparation et d'entretien que celles décrites dans ces instructions ! Toute autre intervention doit être effectuée par un spécialiste compétent !

Nettoyage général

1. Nettoyez le produit avec un chiffon sec. Pour les endroits difficiles à atteindre, utilisez une brosse.
2. En particulier, les ouvertures de ventilation doivent être nettoyées après chaque utilisation, à l'aide d'un chiffon et d'une brosse.
3. Enlevez les poussières tenaces avec de l'air comprimé (max. 3 bars).
4. REMARQUE : N'utilisez pas de substances chimiques, alcalines ou abrasives, ni de détergents ou de désinfectants caustiques ; ceux-ci sont de nature à endommager les surfaces de l'appareil.
5. Repérez les éventuelles traces de dommages ou d'usure. Réparez les dommages conformément à ce manuel d'instructions ou apportez l'appareil dans un centre de service autorisé ou à une personne de qualification similaire avant de réutiliser le produit.

Tableau d'entretien

Inspectez ce produit et procédez régulièrement à un entretien en fonction des recommandations fournies dans le tableau ci-dessous.

Pièce	Manipulation à effectuer	Avant / après chaque utilisation	10 h	25 h	50 h / deux fois par an	100 heures / une fois par an
Bougie d'allumage	Vérifier			x		
Bougie d'allumage	Nettoyer			x		
Bougie d'allumage	Remplacer	Chaque fois que c'est nécessaire				
Filtre à air	Vérifier	x				
Filtre à air	Nettoyer	x				
Filtre à air	Remplacer	Chaque fois que c'est nécessaire				
Chaîne	Vérifier	x				
Chaîne	Lubrifier	x				
Chaîne	Nettoyer	x				
Chaîne	Remplacer	Chaque fois que c'est nécessaire				
Huile de moteur	Vérifier	x				
Huile de moteur	Remplacer	Après les 8 premières heures				

Remarque :

- Ce programme d'entretien n'est qu'une recommandation pour les appareils en état de fonctionnement normal. Si la machine présente des signes anormaux, veuillez procéder immédiatement à l'inspection et à la maintenance appropriées.
- Si vous avez des doutes concernant le fonctionnement de la tronçonneuse, veuillez contacter le service d'assistance à la clientèle pour obtenir de l'aide.
- Toute autre réparation ou entretien non mentionné ici ne doit être effectué que par notre équipe de service ou un personnel autorisé.

Pignon d'entraînement

1. Nettoyez le pignon d'entraînement.
2. À l'aide d'un pistolet à huile jetable, insérez le nez de l'aiguille dans le trou de lubrification et injectez la graisse jusqu'à ce qu'elle apparaisse sur le bord extérieur du pignon (schéma 31).

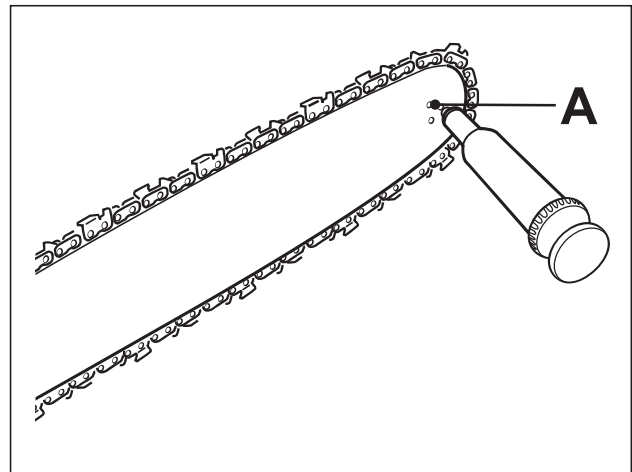


Schéma 31

3. Assurez-vous que le frein de chaîne est désengagé. Portez des gants pour faire pivoter la chaîne de la scie. Répétez la procédure de lubrification jusqu'à ce que tout le pignon ait été graissé.

Entretien de la chaîne et du guide-chaîne

La plupart des problèmes de guide-chaîne peuvent être évités simplement en gardant le produit bien entretenu. La plupart des problèmes liés au guide-chaîne résultent d'une usure irrégulière, elle-même causée par un affûtage inadéquat ou irrégulier ou une erreur dans les réglages de profondeur. L'usure du guide-chaîne étant irrégulière, les rainures s'élargissent à certains endroits, faisant claquer la chaîne et rendant les coupes droites difficiles. Le guide-chaîne s'use rapidement s'il est insuffisamment graissé et si la chaîne est trop tendue. Afin de minimiser l'usure du guide-chaîne, un entretien régulier de la chaîne et du guide-chaîne est recommandé.



AVERTISSEMENT

Portez des gants lorsque vous manipulez la chaîne et le guide-chaîne. Ces composants sont tranchants et peuvent contenir des bavures.

1. Démontez la chaîne et le guide-chaîne en suivant les étapes du montage dans l'ordre inverse.
2. Examinez le trou du réservoir d'huile ; s'il est bouché, nettoyez-le afin d'assurer un graissage correct de la chaîne et du guide-chaîne lorsque l'appareil fonctionne. Utilisez pour cela un fil de fer souple assez fin pour être introduit dans le trou de vidange d'huile.
3. Vérifiez le pignon d'entraînement. S'il est usé ou endommagé par l'usure, il devra être remplacé par le fabricant, par son représentant ou par une autre personne qualifiée.
4. Pour nettoyer les résidus accumulés dans les rails du guide-chaîne, utilisez un tournevis, un couteau de vitrier, une brosse métallique ou un autre outil similaire. Cela permettra une meilleure circulation de l'huile afin que la chaîne et le guide-chaîne soient correctement graissés en permanence.
5. Pour vérifier l'état d'usure du rail du guide-chaîne : Appliquez le bord droit d'une règle contre le bord du guide-chaîne et des plaques latérales de coupe. Si le rail du guide-chaîne est en bon état, il doit y avoir un interstice entre la règle et le guide-chaîne. S'il n'y a aucun interstice (c.à.d. si vous pouvez appliquer la règle contre le guide-chaîne sur toute sa longueur), le rail du guide-chaîne est usé et a besoin d'être remplacé par un rail du même type (schéma 32).

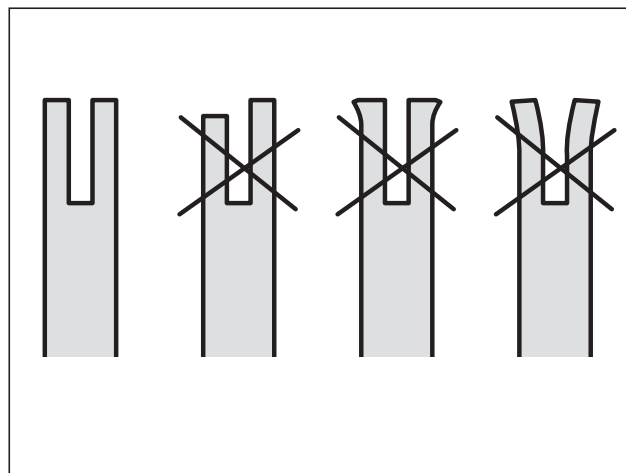


Schéma 32

6. Le fait de retourner le guide-chaîne sur 180° permet d'assurer une usure uniforme et donc de prolonger sa durée de vie.
7. Examinez la chaîne afin de repérer les traces éventuelles d'usure ou de détérioration. Remplacez-la par une chaîne neuve en cas de besoin. Les utilisateurs expérimentés peuvent affûter eux-mêmes la chaîne lorsqu'elle est émoussée (voir le paragraphe « Affûtage de la chaîne » ci-dessous).
8. Remontez la chaîne de scie et le guide-chaîne en suivant les étapes ci-dessous :

1. Posez l'appareil sur une surface plane et adéquate, avec la poignée avant orientée vers le haut.
2. Retirez les écrous de montage du guide-chaîne à l'aide de la clé à bougie fournie.
3. Retirez le carter d'embrayage (schéma 33)

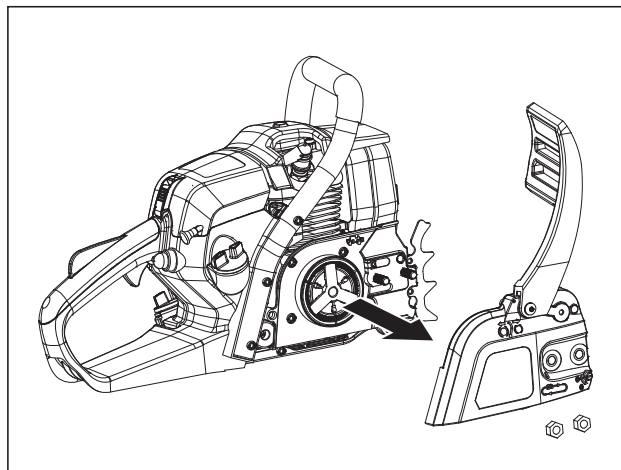


Schéma 33

4. Assurez-vous que la vis de tension de la chaîne est positionnée à gauche ; ajustez-la en tournant la vis de tension dans le sens inverse des aiguilles d'une montre avec la clé à bougie si nécessaire.
5. Étalez la chaîne, en faisant attention à bien orienter les dents dans le sens de rotation, puis enfiler la chaîne dans la rainure autour du guide-chaîne.
6. Alignez le guide-chaîne et la chaîne avec le pignon d'entraînement et le boulon. Enfiler la chaîne sur le pignon d'entraînement puis abaissez le guide-chaîne pour l'emboîter sur le boulon (schéma 34).

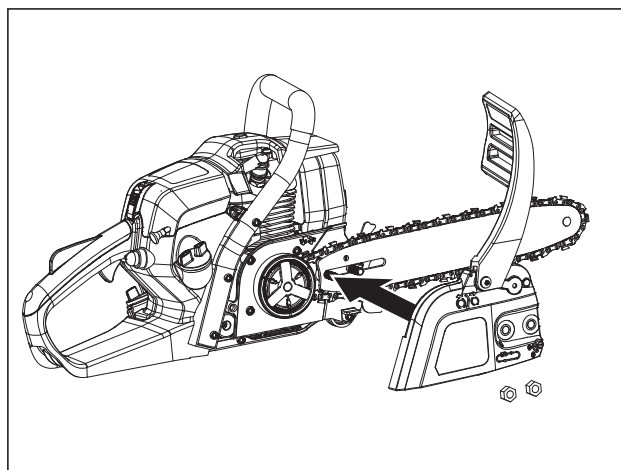


Schéma 34

7. Serrez les écrous de montage du guide-chaîne pour fixer le carter d'embrayage (schéma 35).
8. Saisissez la chaîne du côté supérieur du guide-chaîne et tirez-la manuellement dans un sens et dans l'autre, à plusieurs reprises. La chaîne doit pouvoir bouger librement tout en étant bien tendue.

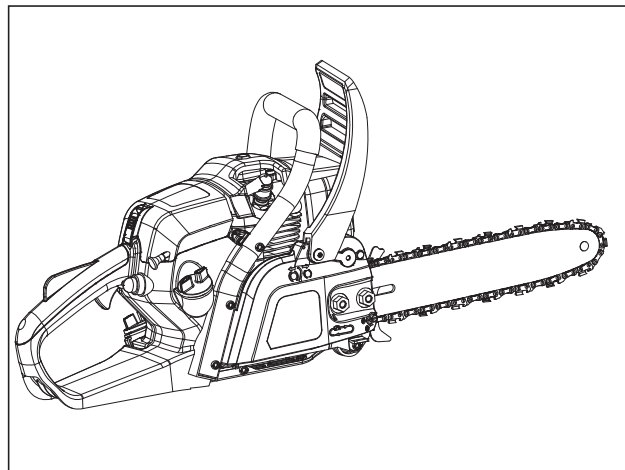


Schéma 35

Affûtage de la chaîne

REMARQUE : L'affûtage de la chaîne peut être nécessaire :

- après avoir coupé du bois humide (sciure farineuse),
- lorsque la manipulation du produit devient difficile (tire à gauche ou à droite)
- lorsque la chaîne est émoussée (une force excessive est nécessaire pour pénétrer dans le bois), ou manifestement endommagée.

Ne sciez jamais avec une chaîne émoussée. La chaîne est émoussée lorsque vous êtes obligé d'appuyer sur la tronçonneuse pour la faire entrer dans le bois et lorsque la sciure est très fine.

1. Faites affûter la chaîne par un professionnel dans un centre de réparation agréé, ou faites-le vous-même à l'aide d'un kit d'affûtage adéquat. Suivez les instructions fournies avec le kit d'affûtage.



AVERTISSEMENT

Vous ne pouvez affûter la chaîne vous-même que si vous avez assez de formation et d'expérience pour le faire ! Utilisez toujours des outils adéquats pour affûter la chaîne !

2. Le réglage du limiteur de profondeur se définit par la différence de hauteur entre la pointe de la lame et la crête. Lors de l'affûtage de la chaîne, vous devez tenir compte des points suivants :
 - Angle d'affûtage
 - Angle de coupe
 - Position d'affûtage
 - Diamètre de la lime ronde
 - Profondeur d'affûtage
3. Pour affûter la chaîne, procédez de la manière suivante :
 - Portez des gants de travail.
 - Vérifiez que la chaîne est correctement tendue.

- Enclenchez le frein pour immobiliser la chaîne sur le guide-chaîne.

REMARQUE : Afin de vous assurer que la lime est dans la bonne position, le plus simple est de vous procurer un guide d'affûtage, disponible dans la plupart des magasins d'outillage.

4. Limez perpendiculairement au guide-chaîne, selon un angle de 25° par rapport au sens de la marche (schéma 36).

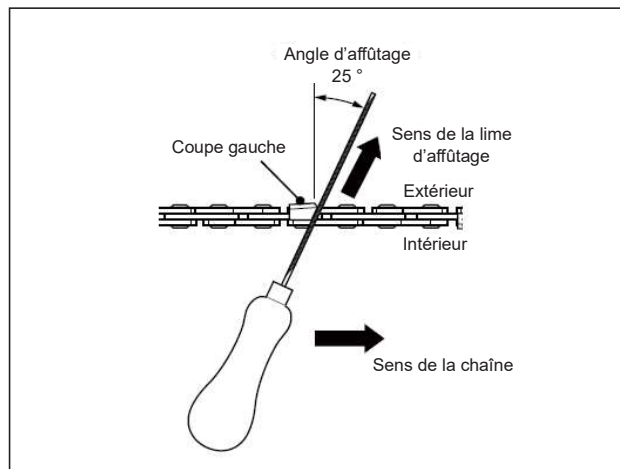


Schéma 36

5. Limez chacune des dents, en frottant toujours de l'intérieur vers l'extérieur. Limez d'abord l'un des côtés de la chaîne, puis retournez l'appareil et répétez la procédure de l'autre côté.
6. Limez les dents de manière uniforme, en frottant le même nombre de fois chacune d'entre elles.
7. Gardez toutes les dents de la même longueur. Vérifiez la hauteur des limiteurs de profondeur une fois tous les 5 affûtages. Si les limiteurs de profondeur sont également taillés, il est indispensable de restaurer leur profil d'origine.
8. Vérifiez la hauteur des limiteurs de profondeur à l'aide d'un instrument de mesure prévu à cet effet. Ces instruments de mesure sont disponibles dans la plupart des magasins d'outillage (schéma 37).

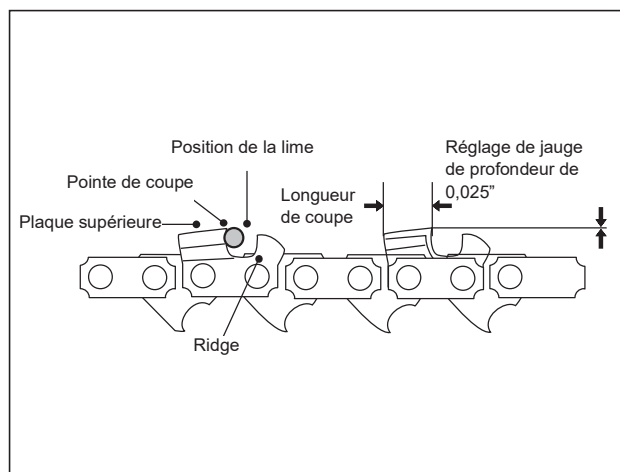


Schéma 37

Filtre à air

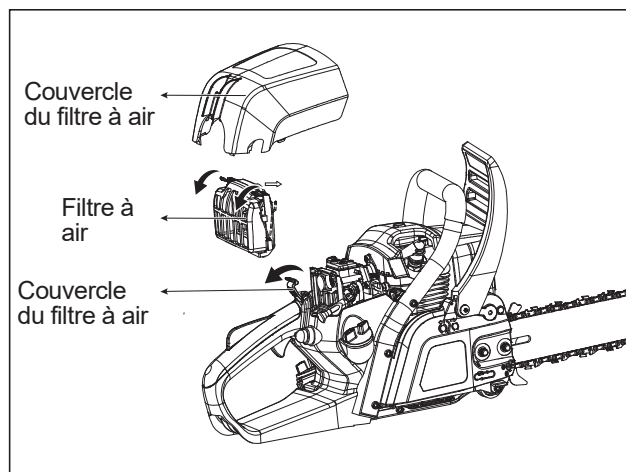


Schéma 38

Lavez le filtre à air toutes les 25 heures (toutes les 10 heures s'il est trop poussiéreux) avec de l'eau claire et faites-le sécher.

Le filtre à air doit faire l'objet de contrôles réguliers. Changez-le en cas de besoin.

1. Desserrez le levier du couvercle du filtre à air pour ouvrir le boîtier du filtre à air.
2. Retirez le filtre en déverrouillant les deux attaches métalliques et en appuyant sur les deux boutons du couvercle puis tapotez-le sur une surface solide pour enlever les poussières.
3. Lavez le filtre à air si nécessaire.
4. Remplacez le couvercle du filtre à air sur le boîtier du filtre à air.
5. Remettez le levier du filtre à air en place et fixez-le avec le bouton du couvercle du filtre à air.

Changer l'huile de moteur



ATTENTION !

L'huile de moteur usagée est considérée comme un déchet spécial et doit être mise au rebut conformément aux réglementations locales relatives à la protection de l'environnement. Ne jetez pas l'huile dans une poubelle, dans les égouts, dans le sol, etc.

1. Le remplacement de l'huile de moteur est plus facile si le moteur est tiède (PAS CHAUD !).
2. Ouvrez le bouchon du réservoir d'huile et vidangez l'huile usée dans un récipient approuvé.
3. Versez l'huile neuve comme indiqué dans les instructions de vérification de l'huile de moteur.
4. Nettoyez l'huile déversée sur l'appareil si nécessaire.

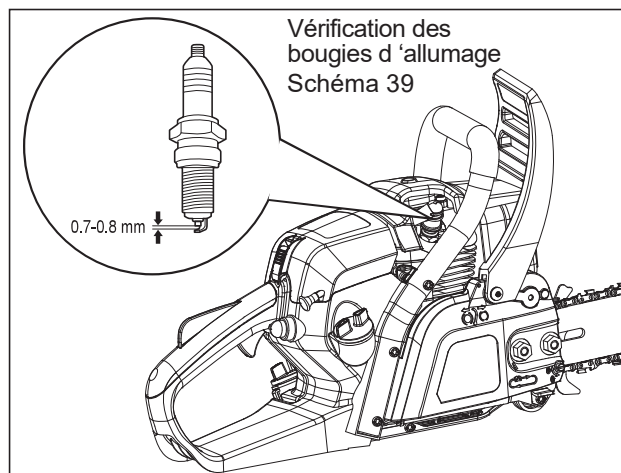


Schéma 39

Remplacer la bougie d'allumage



AVERTISSEMENT

Ne faites jamais ce travail si le moteur est encore chaud !

1. Retirez le capuchon de la bougie et nettoyez la poussière dans la zone de la bougie.
2. Retirez la bougie avec la clé à douille fournie.
3. Vérifiez l'isolation en céramique. Remplacez la bougie si elle est endommagée.
4. Nettoyez les électrodes (pointe en métal) avec un papier abrasif neutre pour rafraîchir les surfaces.
5. Vérifiez l'écartement de la bougie. Il doit être de 0,7-0,8 mm (0,027-0,031 pouces) (schéma 39).
6. Remettez la bougie et le capuchon de la bougie en place.

Carburateur

Ne réglez pas le carburateur. Si vous rencontrez des problèmes avec le carburateur, veuillez contacter le service après-vente ou un revendeur agréé. Un réglage incorrect peut endommager le moteur et annuler la garantie.

GARANTIE

GARANTIE LIMITÉE À DEUX ANS

Garantie limitée de 2 ans sur les tronçonneuses Senix 4Q.

Ce produit Tronçonneuse garanti DURANT DEUX ANS à compter de la date d'achat d'origine, contre les défauts de matériaux ou de fabrication sur les outils. Le produit défectueux sera réparé gratuitement.*

Cette garantie ne couvre pas l'usure normale des pièces et des composants tels que la chaîne de coupe, la ligne ou les lames, et cette garantie ne couvre pas les frais de transport du produit pour la garantie ou l'entretien.

La garantie est sujette aux conditions suivantes :

- La garantie s'applique à l'acheteur original au détail et n'est pas transférable *
- Enregistrement de la garantie sur www.senixtools.com
- L'outil n'a pas été utilisé incorrectement, a été abusé, négligé, altéré, modifié ou réparé par quiconque autre qu'un centre d'entretien autorisé.
- Seuls les accessoires Senix authentiques ont été utilisés avec ou sur ce produit.
- L'outil a été soumis à une usure normale.
- L'outil n'a pas été utilisé à des fins commerciales ou professionnelles.
- L'outil n'a pas été utilisé à des fins locatives.
- Cette garantie ne couvre que les défauts résultant d'une utilisation normale et ne couvre pas les dysfonctionnements, défaillances ou défauts résultant d'une utilisation incorrecte, d'un abus (surcharge du produit, exposition à l'eau ou à la pluie), d'une négligence ou d'un défaut d'installation, d'entretien ou de stockage.

Pour localiser votre fournisseur de services Senix le plus proche, appelez gratuitement le 1-855-755-4663 ou envoyez-nous un e-mail sur service@senixtools.com.

Limitations supplémentaires

Toute garantie implicite accordée en vertu de la loi de l'État, y compris les garanties de qualité marchande ou d'adéquation à un usage particulier, est limitée à trois ans à compter de la date d'achat des outils électriques et des chargeurs et à sept ans à compter de la date d'achat des batteries. Le fabricant n'est pas responsable des dommages directs, indirects, accessoires ou consécutifs. Certains états et provinces n'autorisent pas les limitations sur la durée d'une garantie implicite et / ou n'autorisent pas l'exclusion ou la limitation des dommages accessoires, et dans ce cas, les restrictions décrites précédemment ne s'appliquent pas. Cette garantie vous donne des droits légaux spécifiques, et vous pouvez également avoir d'autres droits qui varient d'un état à l'autre ou d'une province à l'autre.

YAT USA décline toute responsabilité en matière de responsabilité civile résultant d'une utilisation abusive ou non conforme à une utilisation et une maintenance correctes de la machine telles que décrites dans le manuel d'instructions.

YAT USA n'est pas responsable des dommages directs, indirects, accessoires ou consécutifs.

Après l'achat, le fabricant recommande un entretien approprié de la machine et de lire le manuel d'instructions avant d'utiliser la machine.

* Un reçu d'achat original peut être exigé comme preuve d'achat.

Pour le service à la clientèle, contactez-nous gratuitement au 1-855-755-4663 ou sur Senixtools.com. YAT USA, Inc. 6441 Hendry Road, Suite A, Charlotte NC 28269.

TRANSPORT

1. Éteignez le produit.
2. Attachez le fourreau du guide-chaîne.
3. Portez toujours la tronçonneuse en la tenant par ses poignées.
4. Protégez l'appareil contre les risques de chocs ou de fortes vibrations auxquels il pourrait être soumis lors d'un déplacement en véhicule.
5. Immobilisez solidement le produit pour éviter qu'il ne glisse ou ne tombe et ne provoque des dommages ou des blessures.

RANGEMENT

1. Attachez le fourreau du guide-chaîne.
2. Rangez l'outil hors de portée des enfants et des autres personnes non autorisées dans un environnement bien ventilé, au sec et à l'abri du gel.
3. Protégez la machine contre les poussières et l'humidité.

MISE AU REBUT

Ce produit ne doit pas être jeté avec les ordures ménagères à la fin de sa durée de vie. Un recyclage est nécessaire dans les points de collecte prévus à cet effet. Adressez-vous aux collectivités locales ou à votre vendeur pour vous informer sur les possibilités de recyclage.

GUIDE DE DÉPANNAGE

Les dysfonctionnements supposés sont souvent dus à des problèmes que l'utilisateur peut régler lui-même. Il est donc recommandé de consulter cette section en cas de besoin. Dans la plupart des cas, le problème peut être résolu rapidement.



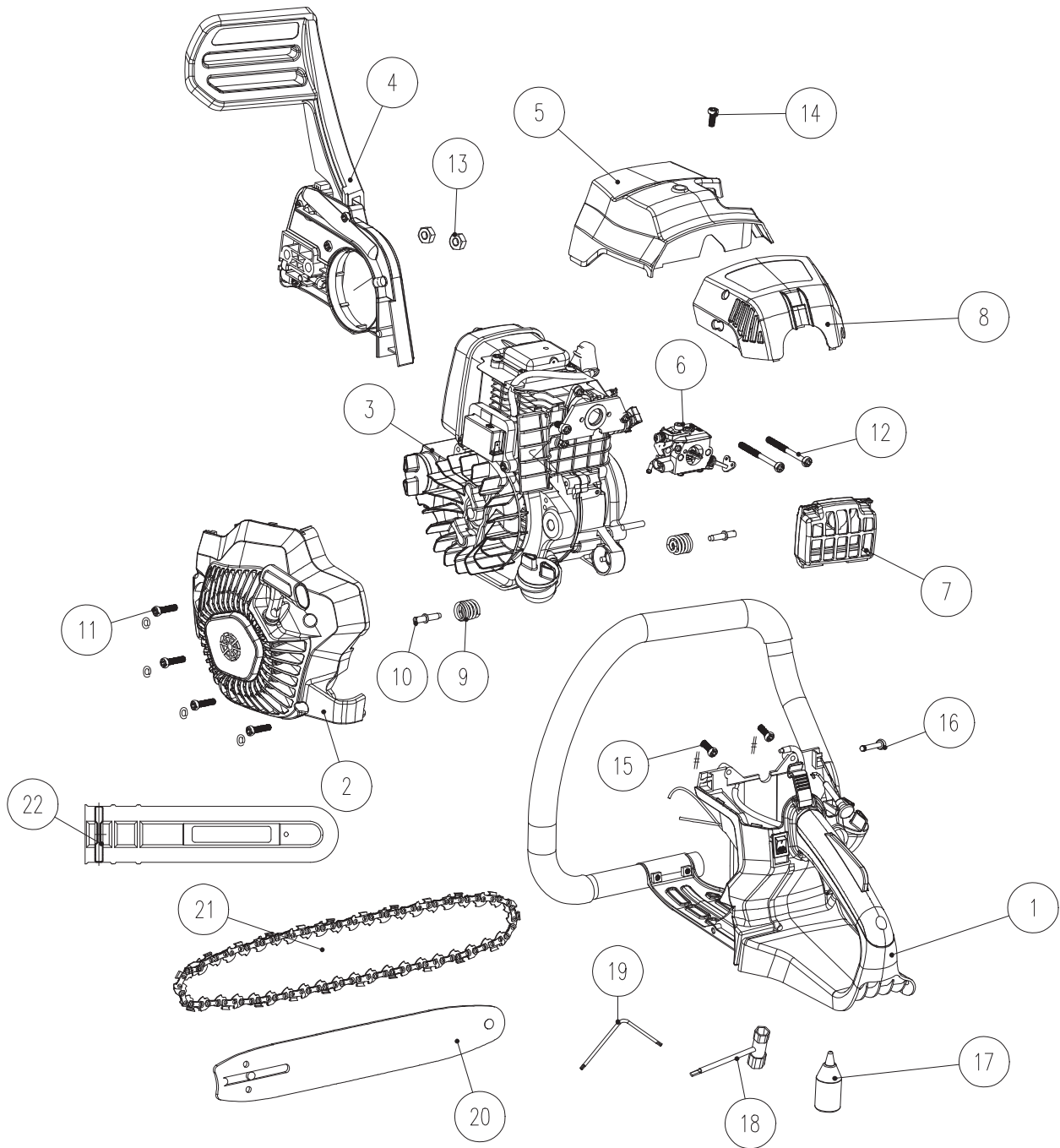
AVERTISSEMENT

N'essayez pas d'effectuer d'autres manipulations que celles décrites dans ces instructions ! Si vous n'arrivez pas à résoudre le problème par vous-même, toutes les autres manipulations de contrôle, d'entretien et de réparation devront être effectuées par un centre de réparation agréé ou par un spécialiste de qualification équivalente.

PROBLÈME	CAUSE	SOLUTION
L'appareil ne démarre pas	<ol style="list-style-type: none"> 1. Le filtre à air est sale 2. L'écartement de la bougie est incorrect 3. Plus de carburant 4. Il y a de l'eau dans le carburant 5. La bougie d'allumage est endommagée 6. Le connecteur de la bougie d'allumage est mal branché. 7. Le carburateur est inondé de carburant 	<ol style="list-style-type: none"> 1. Nettoyez ou changez le filtre à air 2. Réglez l'écart entre les électrodes à 0,7-0,8 mm (0,027-0,031 pouces). 3. Remplissez le réservoir de carburant 4. Videz le réservoir de carburant puis remplissez-le avec de l'essence fraîche et propre. 5. Remplacez la bougie d'allumage 6. Enclenchez-la correctement 7. Retirez le filtre à air et tirez la poignée du démarreur et la corde jusqu'à ce que le carburateur soit nettoyé puis remplacez le filtre à air.
Le moteur s'arrête	<ol style="list-style-type: none"> 1. Il n'y a plus de carburant 	<ol style="list-style-type: none"> 1. Remplissez le réservoir de carburant
Le moteur est difficile à démarrer ou perd de sa puissance	<ol style="list-style-type: none"> 1. Il y a des saletés, de l'eau ou des dépôts dans le réservoir 2. Le filtre à air est sale 3. L'orifice de ventilation dans le bouchon du réservoir est bouché 	<ol style="list-style-type: none"> 1. Vidangez le carburant et nettoyez le réservoir puis remplissez le réservoir de carburant propre et frais. 2. Nettoyez ou changez le filtre à air 3. Nettoyez ou remplacez le bouchon du réservoir de carburant
excessives Vibrations	<ol style="list-style-type: none"> 1. La tronçonneuse est endommagée 2. Des boulons / écrous sont desserrés 	<ol style="list-style-type: none"> 1. Remplacez la chaîne 2. Resserrez les boulons / écrous
Le moteur surchauffe	<ol style="list-style-type: none"> 1. Les ouvertures d'aération sont bloquées 2. L'écartement de la bougie est incorrect 3. Des débris bloquent le fonctionnement de la tronçonneuse. 	<ol style="list-style-type: none"> 1. Nettoyez les ouvertures d'aération 2. Réglez l'écart entre les électrodes à 0,7-0,8 mm (0,027-0,031 pouces). 3. Retirez l'obstruction

PIÈCES

VUE ÉCLATÉE



LISTE DES PIÈCES

N°	Pièce n°	Description	Qté
1	199004000716	Poignée arrière	1
2	199096000114	Initiateur	1
3	103001000353	Assemblage de la tête du moteur	1
4	199001000548	Assemblage du cache d'extrémité	1
5	202030001847	Couvercle	1
6	199064000065	Carburateur	1
7	199077000019	Filtre à air	1
8	202030001848	Couvercle du filtre à air	1
9	8342-966004-0000000	Ressort d'amortissement de la poignée arrière	2
10	8206-965105-0000000	Longue vis de réglage	2
11	8SJJD05-20D	Vis à tête cylindrique rainurée	4
12	8SJJD05-40D	Vis Torx dans tête cylindrique	2
13	8NG-08D	Écrou hexagonal à embase	2
14	8SJJD05-12D	Vis à tête cylindrique rainurée	1

N°	Pièce n°	Description	Qté
15	8SJJB50-12D	Vis à tête cylindrique rainurée	2
16	8SJJB50-30D	Vis à tête cylindrique fendue	1
17	208043000002	Graisneur	1
18	8261-966001-0000000	Clé à bougie	1
19	8261-902101-0000000	Clé Torx	1
20	243-0175	Guide-chaîne	1
21	243-0036	Chaîne	1
22	202009000169	Protection du guide-chaîne (fourreau)	1

