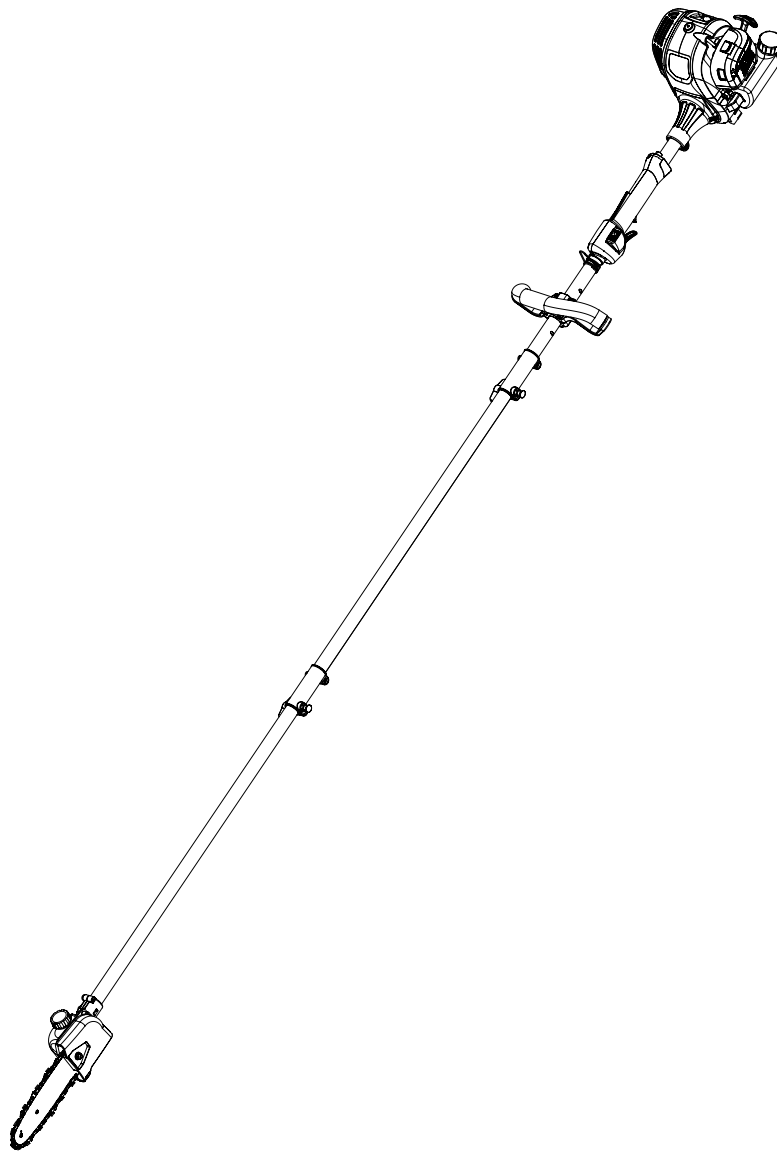




---

# 4-Cycle 1.62 cu in. (26.5 cc) Engine Gasoline Powered Pole Saw

Operator's manual  
Model: CSP4QL-L



For customer support, please call 1-800-261-3981 or send email to:

[Service@senixtools.com](mailto:Service@senixtools.com)

SAVE THIS MANUAL FOR FUTURE REFERENCE.

## • SAFETY & INTERNATIONAL SYMBOLS •

This operator's manual describes safety and international symbols and pictographs that may appear on this product. Read the operator's manual for complete safety, assembly, operating and maintenance and repair information.



To reduce the risk of injury, user must read instruction manual.



Thrown objects and loud noise can cause severe eye injury and hearing loss. Wear eye protection meeting current ANSI Z87.1 standards and ear protection when operating this unit. Wear head protection when operating this unit. Fallen objects can cause severe head injury. Use a full face shield when needed.



Wear hand protection.



Wear non-slip safety footwear.



Failure to keep your hands away from the blade will result in serious personal injury



Avoid power lines, use in dry conditions



Do not expose to rain.



**DANGER!**  
Risk of electrocution!



Indicates danger, warning or caution. Precautions that involve your safety



The chain must be continuously coated with oil to function correctly. Verify oil level before each use.



Contact of the guide bar tip with any object should be avoided.



Tip contact can cause the guide bar to move suddenly upward and backward, which can cause serious injury.



Always use two hands when operating the pole saw.



**DO NOT USE E85 or E15 FUEL IN THIS UNIT**

**CAUTION:** It has been proven that fuel containing greater than 10% ethanol will likely damage this engine and void the warranty.



Always use clean, fresh unleaded fuel. Refer to operator's manual for the proper type of oil.



Hot surface. Do not touch a hot muffler or cylinder. You may get burned. These parts get extremely hot from operation. They remain hot for a short time after the unit is turned off.

**72dB(A)**

MEASURED AT 50FT. (15M)  
PER ANSI S175.3

Bystander sound pressure level: 72dB(A)



Thrown objects can ricochet and result in personal injury or property damage.



Keep all bystanders at least 50 ft. away.

# TABLE OF CONTENTS

SAFETY.....	3
KNOW YOUR UNIT.....	7
SPECIFICATIONS*.....	7
ASSEMBLY.....	8
OPERATION.....	11
MAINTENANCE.....	14
TROUBLESHOOTING.....	17
PARTS.....	18
PARTS LIST.....	19
WARRANTY.....	21

## SAFETY



### DANGER:

Signals an EXTREME hazard. Failure to obey a safety **DANGER** symbol **WILL** result in serious injury or death to yourself or to others.



### WARNING:

Crude oil, gasoline, diesel fuel and other petroleum products can expose you to chemicals including toluene and benzene, which are known to the State of California to cause cancer and birth defects or other reproductive harm. These exposures can occur in and around oil fields, refineries, chemical plants, transport and storage operations such as pipelines, marine terminals, tank trucks and other facilities and equipment. For more information go to:  
[www.P65Warnings.ca.gov/petroleum](http://www.P65Warnings.ca.gov/petroleum).



### WARNING:

Signals a SERIOUS hazard. Failure to obey a safety **WARNING** symbol **CAN** result in serious injury to yourself or to others.



### CAUTION:

Signals a MODERATE hazard. Failure to obey a safety **CAUTION** symbol **MAY** result in property damage or injury to yourself or to others.

**NOTE:** Advises you of information or instructions vital to the operation or maintenance of the equipment.



### WARNING:

#### CALIFORNIA PROPOSITION 65

This product contains a chemical known to the state of California to cause cancer, birth defects or other reproductive harm.

**Read the operator's manual and follow all warnings and safety instructions. Failure to do so can result in serious injury to the operator and/or bystanders.**

## SAFETY WARNINGS

1. Proper safety precautions must be observed. Like all power equipment this unit must be handled carefully. **DO NOT EXPOSE YOURSELF OR OTHERS TO DANGER.** Follow these general rules. Do not permit others to use this unit unless they are thoroughly responsible and have read, and understood the string pole saw manual and are trained in its operation.
2. Always wear safety goggles for eye protection. Dress properly. Do not wear loose clothing or jewelry that could become caught in moving parts of the unit. Safe, sturdy, nonskid footwear should always be worn. Always wear heavy, long pants, boots, gloves, and a long-sleeve shirt. Do not wear loose clothing, jewelry, short pants, sandals, or go barefoot. Secure hair so it is above shoulder level. Long hair should be tied back. It is recommended that legs and feet be covered to protect from flying debris during operation.
3. Inspect the entire unit for loose parts (nuts, bolts, screws, etc.) and any damage before start and operation. Repair or replace as necessary before using the machine.
4. Modifying your pole saw or installing non-Senix attachments can make your pole saw unsafe. Non-Senix attachments are usually designed for universal applications. Although aftermarket attachments may fit on your pole saw, they may not meet factory specifications and could make your pole saw unsafe. Do not remove the cutting head shield or modify your pole saw in any way that would alter its design or operation. This could make your pole saw unsafe. Serious injury to the operator or bystanders could result as well as damage to the machine.
5. Keep the handles free from oil and fuel.
6. Do not operate the unit in insufficient lighting conditions.
7. Do not operate the unit when you are tired, when your concentration is impaired and/or under the influence of drugs, medication, or alcohol.
8. Always use proper handles when trimming.
9. Do not smoke while filling tank.
10. Do not fill fuel in an enclosed room or near open flames. Ensure adequate ventilation.
11. Always store fuel in a properly marked container that is approved by local codes and ordinances for such usage.
12. Never remove the fuel tank cap while the engine is running.

13. Never start or run the product inside a closed room or building. Fumes from the exhaust contain dangerous carbon monoxide.
14. Never attempt to make engine adjustments while the unit is running. Always make engine adjustments with the unit resting on a flat, clear surface.
15. Do not use the unit if it is damaged or poorly adjusted. Never remove the unit's guard. Serious injury to the operator or bystanders could result as well as damage to the machine.
16. Inspect the area to be cut and remove all debris that could become entangled in the nylon cutting head. Also remove any objects that the unit may throw during cutting.
17. Keep children away. Onlookers should be kept at a safe distance from the work area, at least 15 METERS (50 FEET) away.
18. Never leave the unit unattended while the engine is running.
19. Uses other than those intended by the manufacturer can result in injury to the operator or damage to the pole saw and other property.
20. Do not overreach. Keep proper footing and balance at all times. Do not use the unit while standing on a ladder or on any other unstable footing location.
21. FOLLOW INSTRUCTIONS for assembling and operation.
22. Do not store the unit in a closed area where fuel vapors can reach an open flame from hot water heaters, furnaces, etc. Store in a locked, well ventilated area only.
23. Ensure safe and proper performance of your unit. Please only use original accessories. The use of any other accessories or attachments may cause a potential hazard or injury to the user, damage to the unit, and void the warranty.
24. If the unit will not be used for a long time, clean the unit completely, especially the fuel/oil tank, its surroundings, and the air filter.
25. When refueling, stop the engine and confirm that it is cooled down. Never refuel when the engine is running or hot. When gasoline spills, be sure to wipe it up completely and dispose of those materials before starting the engine.
26. Stay clear of other workers or bystanders by at least 15 meters/50 feet. Be careful not to startle or distract the operator which can cause an unsafe situation.
28. The engine should be turned off when the unit is moved between work areas.
29. Pay attention to loosening and overheating parts. If there is any abnormality of the unit, stop operation immediately and check the unit carefully. If necessary, have the unit serviced. Never continue to operate a unit which may be malfunctioning.
30. In start-up or during operation of the engine, never touch hot parts such as the muffler, the high voltage wire, or the spark plug.
31. After the engine has stopped, the muffler is still hot. Never place the unit in any places where there are flammable materials (dry grass, etc.), combustible gasses, or combustible liquids.
32. Pay special attention to operation in the rain or just after the rain as the ground may be slippery.
33. If you slip or fall to the ground, release the throttle lever immediately.
34. Be careful not to drop the unit or hit it against obstacles.
35. Before proceeding to adjust or repair the unit, be sure to stop the engine and detach the spark plug.
36. When the machine is placed in storage for a long time, drain fuel/oil from the fuel/oil tank and carburetor, clean the parts, and move the machine to a safe place.
37. Make periodic inspections to ensure safe and efficient operation.
38. Keep the unit away from fire or sparks.
39. Keep your body warm, especially the head, neck, feet, ankles, hands, and wrists.
40. Maintain good blood circulation by performing vigorous arm exercises during frequent work breaks and also by not smoking.
41. Limit the hours of operation.
42. If you experience discomfort, redness and swelling of the fingers followed by whitening and loss of feeling, consult your physician before further exposing yourself to cold and vibration.
43. Always wear ear protection. Loud noises for long periods can cause hearing loss, even permanent deafness.
44. Wear no-slip heavy duty work gloves to improve your grip on the handle. Gloves also reduce the transmission of machine vibration to your hands.
45. Do not lay the machine on the side; otherwise the fuel could spill out.
46. Fuel evaporation during refueling and exhaust gases are harmful to the operator and people around the unit.
47. Make sure that the fuel evaporation and exhaust gases will not drift to the face of operator and keep other people away from your working area.
48. Do not allow children or untrained individuals to use this unit.

## RESIDUAL RISKS



### WARNING:

Even when the unit is used as prescribed it is not possible to eliminate all residual risk factors. The following hazards may arise in connection with the unit's construction and design:

- Damage to lungs if an effective dust mask is not worn.
- Damage to hearing if effective hearing protection is not worn.
- Health defects resulting from vibration emission if the unit is being used over long periods of time or not adequately managed and properly maintained.

## **WARNING:**

This unit produces an electromagnetic field during operation. This field may, under some circumstances, interfere with active or passive medical implants. To reduce the risk of serious or fatal injury, we recommend persons with medical implants to consult their physician and the medical implant manufacturer before operating this unit.

## **WARNING:**

Inspect unit before each use.  
Replace damaged parts. Check for fuel leaks. Make sure all fasteners are in place and secure. Replace parts that are cracked, chipped, or damaged in any way. Make sure the cutting attachment is properly installed and securely fastened.

## **WARNING:**

Do not operate the unit inside a closed environment, such as a room or building; breathing carbon monoxide from exhaust fumes can kill.

## **WARNING:**

Pour fuel outdoors where there are no sparks and flames. Slowly remove the fuel cap only after stopping the engine. Do not smoke while fueling or mixing fuel. Wipe spilled fuel from the unit. Move at least 3 m (10 ft) away from the fueling source and site before starting engine.

## **SPECIFIC SAFETY RULES FOR POLE SAWS**

### **WARNING:**

Do not operate near electrical power lines. The unit has not been designed to provide protection from electric shock in the event of contact with overhead electric lines. Consult local regulations for safe distances from overhead electric power lines and ensure that the operating position is safe and secure before operating the saw chain pole pruner.

1. Wear head and eye protection and personal protective equipment (PPE), including correct clothing.
2. Keep bystanders, especially children at a safe distance during operation of the saw chain pole pruner.
3. Keep all parts of the body away from the saw chain. Do not remove cut material or hold material to be cut when blades are moving. Make sure the switch is off when clearing jammed material. The saw chain continues to move after the switch is turned off. A moment of inattention while operating the extended-reach pruner may result in serious personal injury.
4. Carry the extended-reach pruner by the handle with the saw chain stopped. When transporting or storing the pole saw, always fit the saw chain device cover.

Proper handling of the pole saw will reduce possible personal injury from the saw chain.

5. Hold the pole saw by insulated gripping surfaces only, because the saw chain may contact hidden wiring. A saw chain contacting a "live" wire may make exposed metal parts of the extended-reach pruner "live" and could give the operator an electric shock.
6. Keep cable away from cutting area. During operation the cable may be hidden in shrubs and can be accidentally cut by the saw chain.
7. Do not use the pole saw in bad weather conditions, especially when there is a risk of lightning. This decreases the risk of being struck by lightning.
8. To reduce the risk of electrocution, never use near any electrical power lines.
9. Contact with or use near power lines may cause serious injury or electric shock resulting in death.
10. Always use two hands when operating the pole saw. Hold the pole saw with both hands to avoid loss of control.
11. Always use head protection when operating the pole saw overhead. Falling debris can result in serious personal injury.

## **ADDITIONAL SAFETY WARNINGS FOR OPERATION**

- Always disconnect the spark plug wire before assembling, adjusting or cleaning, and before leaving the machine unattended for any period.
- Always use the harness to carry the tool weight on the shoulder. If you use the harness across your body, learn how to use the quick release on the harness and keep it in front of your body.
- It is recommended that the unexperienced user should have practical instruction in the use of the saw and the protective equipment from an experienced operator.
- This tool is not intended for use by persons (including children) with reduced physical, sensory or mental capabilities, or lack of experience and knowledge, unless they have been given supervision or instruction concerning use of the appliance by a to ensure that they do not play with the tool.
- Children and juveniles, with the exception of apprentices older than 16 years and under supervision, may not operate the product. The same applies for persons who do not or do not sufficiently know how to handle the product.
- The operating instructions should always be at hand. Persons unfit or tired must not operate the tool.
- Wait until the chain has come to a standstill completely before placing it down.
- Any servicing should be performed by an authorized service representative.



## SAVE THESE INSTRUCTIONS

### REDUCING KICKBACK

Kickback can occur when the tip of the guide bar touches an object or when the wood closes in and pinches the saw chain inside of the cut. Tip contact can kick the guide bar up and back towards the operator.



#### WARNING:

The danger of a kickback is greatest when attempting to cut near or with the guide bar tip. Always apply the saw as flatly as possible in order to avoid a loss of control during operation.

Pinching the saw chain along the top of the guide bar can push the bar rapidly towards the operator. Either of these reactions may cause a loss in control of the saw, increasing the chances of serious personal injury. Do not rely on the safety devices built into the saw. Kickback is the result of tool misuse and/or incorrect operating procedures. These conditions can be minimized with the following steps:

1. Maintain a firm grip, with thumbs and fingers encircling the pole saw handles. Both hands should be on the saw with your body and arms in a position to resist kickback forces.
2. Do not overreach and keep the work area free from obstructions.
3. Only use replacement bars and chains specified by Senix. Replace dull blades as necessary.
4. Do not let the tip of the guide bar contact any surfaces.
5. Keep proper tension on the blade at all times. Check the tension at regular intervals.
6. Cuts should only take place while the chain is moving at full speed. Do not turn the saw ON or OFF in the middle of a cut. Use extreme caution when re-entering a previous cut.
7. Cut one branch at a time. Do not attempt plunge or bore cuts. Watch for shifting logs or other external forces that could close a cut and pinch the chain.
8. Make a precut on the opposite side of the log to avoid the blade from being pinched during operation as another safeguard against kickback.

### SAWING TECHNIQUES



#### WARNING:

When removing branches, hold the pole saw at an angle ranging from 0 to 60° in order to avoid being struck by a falling branch. The saw should never be operated directly above head.

- Saw off the lower branches on the tree first. By doing so, it is easier for the cut branches to fall to the ground.
- At the end of the cut, the weight of the saw suddenly increases for the user since it is no longer being supported by a branch. There is a risk of losing control of the saw, so make sure to stay alert during the entire sawing operation.
- Only pull the saw out of a cut while the saw is running. By doing so, you prevent the chain from jamming in

the wood.

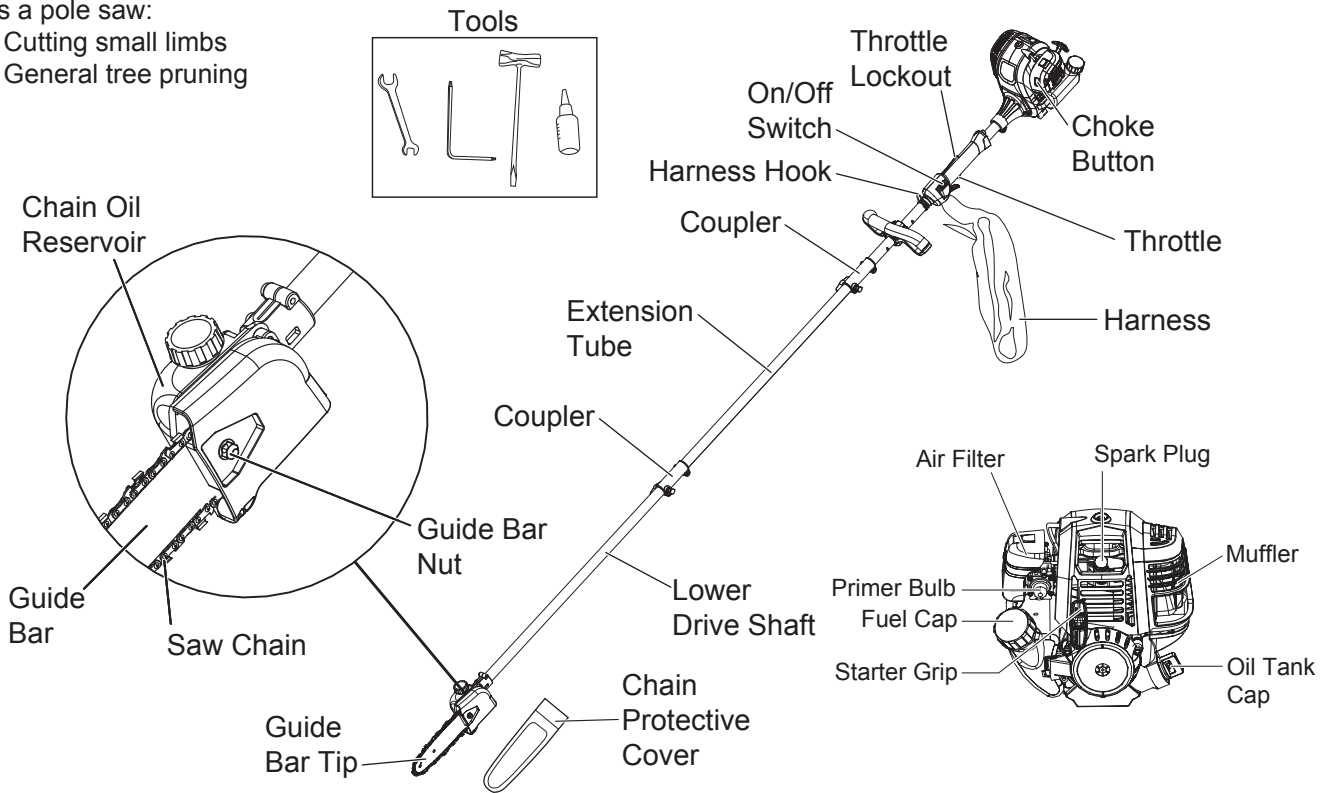
- Do not saw with the tip of the guide bar. Do not saw into the branch formations (where the tree branches outwards). This will impede the tree's ability to heal.
- For sawing off smaller branches, place the stop face of the saw on the branch. This prevents unwanted movements of the saw at the beginning of the cut. While applying light pressure, guide the saw through the branch from top to bottom.
- For sawing off larger branches, first make a relief cut. Saw through 1/3 of the branch diameter from the bottom to top using the top side of the guide bar. Then saw from top to bottom for the other 2/3 using the bottom side of the guide bar.
- Saw off longer branches in sections in order to maintain control over the location of impact.
- When working on an incline, always stand above or to the side of the branch being sawed. Hold the tool as close as possible to your body. By doing so, you maximize your balance.

# KNOW YOUR UNIT

## APPLICATIONS

As a pole saw:

- Cutting small limbs
- General tree pruning



## SPECIFICATIONS\*

Engine type.....	Air-Cooled, 4-Cycle
Displacement.....	1.62 cu in. (26.5 cc)
Spark plug gap.....	0.025 in. - 0.031 in. (0.6 - 0.8 mm)
Lubrication.....	(SAE 30)
Crankcase lubrication capacity.....	2.01 oz. (60 ml)
Chain lubrication oil tank capacity.....	4.02 oz. (120 ml)
Fuel tank capacity.....	9.46 oz. (280 ml)
Chain speed.....	.59 ft/s (18 m/s)
Single shoulder harness.....	Yes
Handle type.....	D handle
Shaft type.....	Flexible
Chain bar.....	8 in. AM08-33-507P
Saw chain.....	8 in. 3/8.050x33DL
Total length (with extension tube, chain, and bar).....	105.5 in. (2680 mm)
Extension tube length.....	30.7 in. (780 mm)
Tube material.....	Aluminum
Dimensions.....	105.5x13x8.7 in. (2680x330x220 mm)
Weight (fully assembled, without fuel or oil).....	12.57 lbs. (5.7 kg)

\* All specifications are based on the latest product information available at the time of printing. We reserve the right to make changes at any time without notice.

# ASSEMBLY

This product requires assembly. Carefully remove the product and any accessories from the box. Make sure that all items listed in the packing list are included. Inspect the product carefully to make sure no breakage or damage occurred during shipping.

Do not discard the packing material until you have carefully inspected and satisfactorily operated the product. If any parts are damaged or missing, please call 1-800-261-3981 for assistance.

## **WARNING:**

Do not use this product if any parts on the packing list are already assembled to your product when you unpack it. Parts on this list are not assembled to the product by the manufacturer and require customer installation. Use of a product that may have been improperly assembled could result in serious personal injury.

## INCLUDED PARTS

Quantity	Item
1	Operator's manual
1	Handle and mounting hardware
1	Chain protective cover
1	Spark plug wrench
1	Bar nut wrench
1	Hex wrench
1	60 ml bottle of engine oil
1	Harness

## **WARNING:**

To prevent an accidental start that could cause serious personal injury, always disconnect the engine spark plug wire from the spark plug when assembling parts.

## **WARNING:**

Never install, remove, or adjust any attachments while power head is running. Failure to stop the engine can cause serious personal injury.

## **WARNING:**

Do not allow familiarity with this product to make you careless. Remember that a careless fraction of a second is sufficient to inflict serious injury.

## **WARNING:**

Always wear eye protection with side shields marked to comply with ANSI Z87.1, along with hearing protection. Failure to do so could result in objects being thrown into your eyes and other possible serious injuries.

## UNPACKING

### **WARNING:**

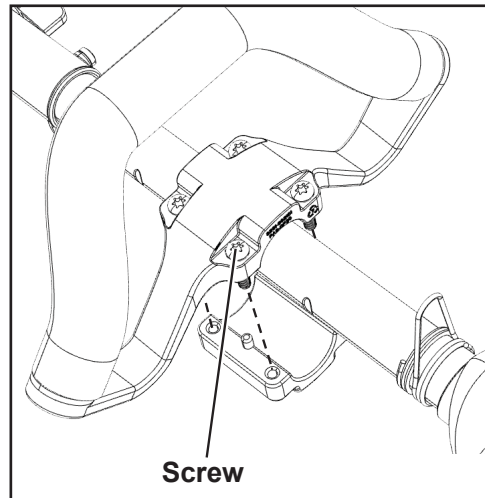
If any part of the pole saw is missing or damaged, do not operate the pole saw until the damaged part is repaired or replaced.

**DO NOT** discard box or packing material until all parts are examined.

**NOTE:** Chain and Bar Oil is not included. You must fill the Chain Saw with SAE 10W-30 oil **BEFORE** use.

**NOTE:** Remove the Chain/Bar/Blade Protective Cover before use.

## INSTALL THE HANDLE

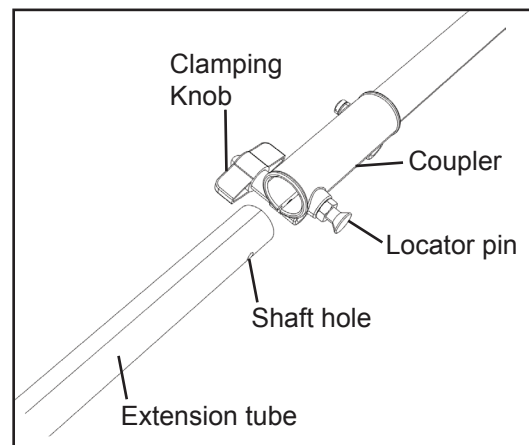


1. Screw the handle and holder using the hex wrench provided. The screws and holder are pre-attached to the front handle.
2. Tighten the 4 screws until the handle is secure.

## POWER HEAD SHAFT/LOWER SHAFT ASSEMBLY

### **WARNING:**

Disconnect the spark plug wire before performing maintenance or assembly procedures.



1. Set the engine assembly on a level surface. Loosen the clamping knob.
2. Pull locator pin out and turn counter-clockwise 1/4



turn to lock-out position. Remove cap and cardboard spacer, if necessary.

3. Align the hole in the extension boom with the locator pin on the coupler.
4. Install the extension tube into the coupler. Pull the locator pin out and turn 1/4 turn clockwise to release. Push the drive shaft until the locator pin locks into place.
5. Tighten the clamping knob.
6. Following steps 1 to 5, install the lower drive shaft assembly.

## INSTALL THE CHAIN BAR AND CHAIN

### **WARNING:**

Disconnect the spark plug wire before performing maintenance or assembly procedures.

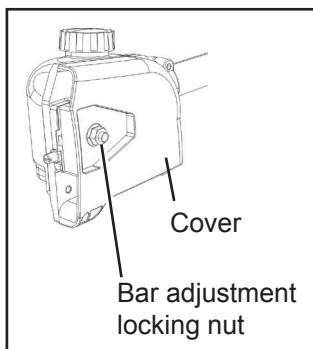
### **WARNING:**

Cutting edges on chain are sharp. Use protective gloves when handling chain.

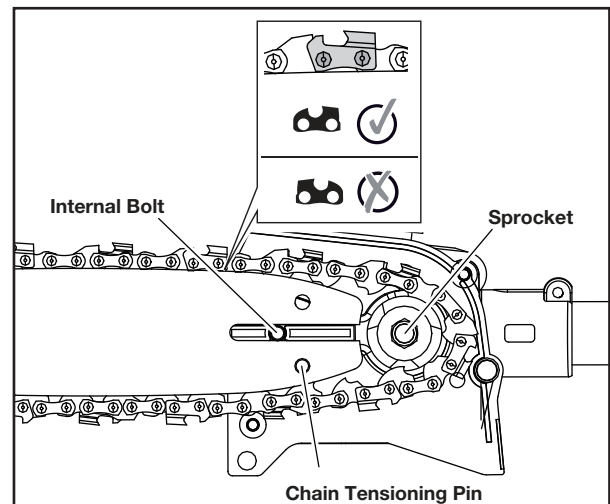
### **WARNING:**

ALWAYS maintain proper chain tension. A loose chain will increase the risk of kickback. A loose chain may jump out of chain bar groove. This may injure operator and damage chain. A loose chain will cause chain, chain bar, and sprocket to wear rapidly. The chain life of the saw chain mainly depends upon sufficient lubrication and correct tensioning. Avoid tensioning the chain if it is hot, as this will cause the chain to become over tensioned when it cools down.

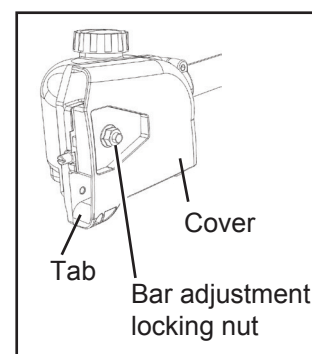
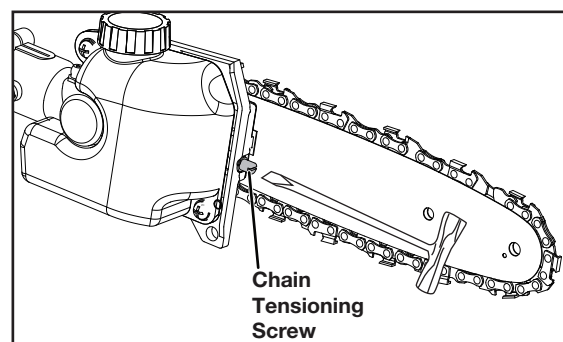
1. Place the saw body on a firm and level surface.
2. Using the supplied wrench, turn the bar adjustment locking nut counter-clockwise to loosen it. Remove the locking nut and cover.



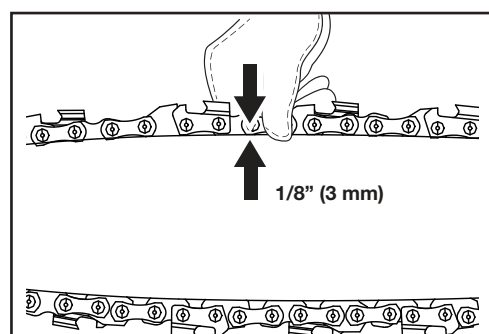
3. Wearing protective gloves, wrap the saw chain around the chain bar, making sure that the teeth are aimed in the direction of rotation. The chain should be properly set in the slot running along the entire outside edge of the chain bar.
4. Place the saw chain around the sprocket while lining up the slot in the chain bar with the internal bolt at the base of the saw and the chain tensioning pin in the chain bar's pin hole. The chain tensioning pin may need adjustment to properly align with the hole in the chain bar. Use a flat-blade screwdriver to turn the chain tensioning screw to adjust the location of the pin until it fits in the chain bar.



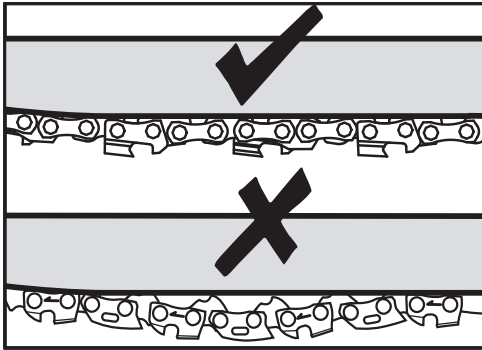
5. Turn the chain tensioning screw clockwise to preliminarily tighten the chain bar enough that it stays in place. While holding the bar still, place the cover back onto the saw. Make sure the tab properly lines up with the slot on the body of the saw. Install the locking nut. Using the supplied wrench, turn the locking nut clockwise to tighten it. **DO NOT** overtighten.



6. Check the chain tension by pulling the saw chain away from the chain bar. A properly tensioned chain should have roughly 1/8 inch (3 mm) of distance between itself and the bar guide.



- If adjustments are needed, loosen the bar adjustment locking nut one full turn.
- To adjust the saw chain tension, turn the chain tensioning screw. Turning the screw clockwise increases the tension while turning it counter-clockwise decreases tension. A properly tensioned chain should have no sag and should only be able to be pulled 1/8 inch (3 mm) away from the chain bar of the saw.
- Once the chain is properly tensioned, tighten the bar adjustment locking nut. **DO NOT** over-tension the chain: this will lead to excessive wear and reduces the life of both the bar and chain.



### **CAUTION:**

The saw chain must be tensioned properly in order to ensure safe operation.

### **SAW CHAIN LUBRICATION**

The pole saw features automatic chain lubrication. Never operate the pole saw without saw chain oil. The use of the pole saw without enough saw chain oil will damage the unit.

Only use SAE 10W-30 saw chain oil. Other oils will run the risk of damaging the unit and voiding the warranty. Take note of temperature conditions. Using the saw at various temperatures requires the use of differing oils. To ensure a sufficient layer of lubricant at lower temperatures, use liquid oil (low viscosity).

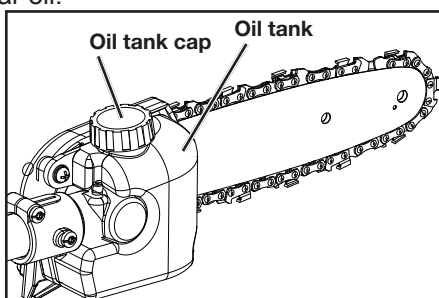
### **FILLING THE CHAIN LUBRICATION OIL TANK**

- Place the saw on a level surface. Clean the area around the oil tank cap and then open it.

### **CAUTION:**

Make sure that no dirt gets into the oil tank to prevent clogging in the oil nozzle.

- Fill the oil tank with 4.02 oz. (120 ml) of saw chain and bar oil.

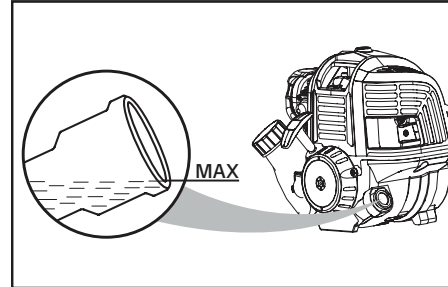


- Close the oil tank cap.

### **ADDING/CHECKING ENGINE OIL**

### **CAUTION:**

Attempting to start the engine before it has been properly filled with lubricant will result in equipment failure not covered by the warranty.



Engine lubricant has a major influence on engine performance and service life. This unit is shipped without engine lubricant.

Always use a 4-cycle engine lubricant that meets or exceeds the requirements for API service classification SJ. SAE 30, 10W30, or 10W40 are all acceptable lubricants to use in this product. Non-detergent or 2-stroke engine lubricants will damage the engine and should not be used. Check lubricant level before each use.

### **ADD ENGINE OIL: INITIAL USE**

- Unscrew the oil cap from the engine and remove.
- Pour 60 ml of oil into the oil fill hole. Replace and tighten the oil cap.

### **CHECK ENGINE OIL: BEFORE EACH USE**

- Separate the pole saw from the engine assembly.
- Set engine assembly on a flat level surface with shaft parallel to surface.
- Unscrew the oil cap and remove.
- Lubricant level should fall within the top of the oil fill hole (the top of screw thread).
- If level is low, add engine lubricant until the fluid level rises to the top of oil fill hole (the top of screw thread).

**NOTE:** Do not overfill.

- Replace and tighten the oil cap.

### **CAUTION:**

Do not overfill. Overfilling the crankcase may cause excessive smoke, oil loss, and engine damage.

### **WARNING:**

Operation of this equipment could create sparks that can start fires around dry vegetation. A spark arrestor may be required. The operator should contact local fire agencies for laws or regulations relating to fire prevention requirements.

## OPERATION

### **! WARNING:**

Do not use any attachments or accessories not recommended by the manufacturer of this product. The use of attachments or accessories not recommended can result in serious injury.

### FUELING THE UNIT

### **! WARNING:**

Gasoline is extremely flammable. Ignited vapors may explode. Always stop the engine and allow it to cool before filling the fuel tank. Do not smoke while filling the tank. Keep sparks and open flames at a distance from the area.

### **! WARNING:**

Remove the fuel cap slowly to avoid injury from fuel spray. Never operate the unit without the fuel cap securely in place.

### **! WARNING:**

Add fuel in a clean, well-ventilated outdoor area. Wipe up any spilled fuel immediately. Avoid creating a source of ignition for spilled fuel. Do not start the engine until fuel vapors dissipate.

### **! WARNING:**

Gasoline and its vapors are highly flammable and explosive. To prevent serious injury and property damage, handle it with care. Keep away from ignition sources and open flames, handle outdoors only. Pour fuel outdoors where there are no sparks or flames. Slowly remove the fuel cap after stopping the engine. Do not smoke while fueling. Wipe spilled fuel from unit. Move at least 3 m (10 ft) away from the fueling source before starting engine.

### **! WARNING:**

Always wear heavy, long pants, boots, gloves, and a long-sleeve shirt. Do not wear loose clothing, jewelry, short pants, sandals, or go barefoot. Secure hair so it is above shoulder level.

### USING THE RIGHT FUEL

The use of old fuel is the most common cause of performance problems. Use only fresh, clean unleaded gasoline.

This unit has a four-cycle engine. **DO NOT** mix oil with gasoline.

### Definition of Blended Fuels

Today's fuels are often a blend of gasoline and oxygenates such as ethanol, methanol or MTBE (ether). Alcohol-blended fuel absorbs water. As little as 1% water in the fuel can make fuel and oil separate, forming acids when stored. **ALWAYS** use fresh fuel (less than 30 days old) with less than 10% ethanol. Dispose of old fuel according to federal, state and local regulations.

### Using Blended Fuels

If using a blended fuel:

Always use fresh unleaded gasoline.

Use the fuel additive STA-BIL® or an equivalent.

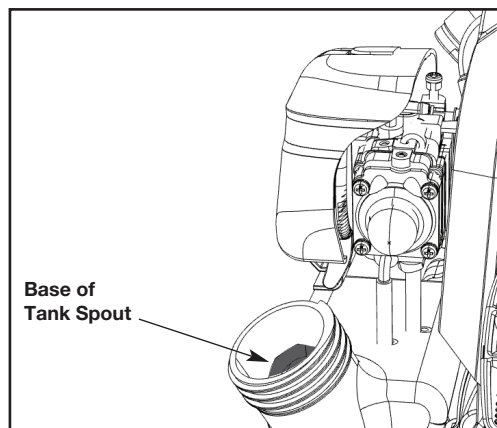
### **! WARNING:**

**DO NOT USE E85 or E15 FUEL IN THIS UNIT.** It has been proven that fuel containing greater than 10% ethanol will likely damage this engine and void the warranty.

### USING FUEL ADDITIVES

Use a fuel additive, such as STA-BIL Fuel Stabilizer or an equivalent, to inhibit corrosion and minimize gum deposits. Add 0.8 oz. (23 ml) of fuel additive per gallon of fuel, according to the instructions on the container. **NEVER** add fuel additives directly to the unit's fuel tank.

1. Remove the fuel tank cap by turning counterclockwise. Rest the cap on a clean surface.
2. Carefully pour fuel into the tank until fuel reaches the base of the tank spout. Avoid spillage.



3. Immediately replace fuel cap and hand tighten by turning it clockwise. Wipe up any spilled fuel.

**NOTE:** Visually inspect to see if fuel level is low. If fuel is low, refill with unleaded fuel carefully without overfilling and tighten the fuel tank cap immediately.

- This unit has a 4-cycle engine. Do not mix oil with gasoline.
- The use of old fuel is the most common cause of performance problems. Use only fresh, clean unleaded gasoline (less than 30 days old). Dispose of old fuel according to federal, state and local regulations.
- Drain the tank and run the engine dry before storing the unit.
- Do not use E15 or E85 fuel (or fuel containing greater than 10% ethanol) in this product. It will damage the unit and void the warranty.

### **! WARNING:**

Engine housing can become hot during pole saw operation. Do not rest or place your arm, hand, or any body part against the engine housing. Extended contact with the engine housing can result in burns or other injuries.

## **WARNING:**

Always position the unit on the operator's right side. The use of the unit on the operator's left side will expose the user to hot surfaces and can result in possible burn injury. To avoid burns from hot surfaces, never operate unit with the bottom of the engine above waist level.

## **WARNING:**

Do not allow familiarity with this product to make you careless. Remember that a careless fraction of a second is sufficient to inflict serious injury.

## **WARNING:**

Always wear eye protection with side shields marked to comply with ANSI Z87.1, along with hearing protection. Failure to do so could result in objects being thrown into your eyes and other possible serious injuries.

## **WARNING:**

Do not use any attachments or accessories not recommended by the manufacturer of this product. The use of attachments or accessories not recommended can result in serious personal injury.

## **WARNING:**

Operation of this equipment could create sparks that can start fires around dry vegetation. A spark arrestor may be required. The operator should contact local fire agencies for laws or regulations relating to fire prevention requirements.

## **WARNING:**

Operate this unit only in a well-ventilated outdoor area. Carbon monoxide exhaust fumes can be lethal in a confined area.

## **WARNING:**

Avoid accidentally starting the unit. To avoid serious injury, the operator and the unit must be in a stable position when pulling the starter rope.

## **CAUTION:**

Do not overwork yourself. Take regular breaks and change working position to ensure you can concentrate on the work and have full control over the product. Maintain firm footing and balance during operation.

## **CAUTION:**

Inspect unit before each use. Replace damaged parts. Check for fuel leaks. Make sure all fasteners are in place and secure.

## **PREPARATION**

Before each use, check the following items to ensure safe working conditions.

**POLE SAW:** Before beginning work, inspect the pole saw for damage to the housing, the saw chain and the

guide bar. Never use a damaged machine.

**OIL TANK:** Check the fill level of the oil tank. Also check whether there is sufficient oil available while working. Never operate the saw if there is no oil or the oil level is not visible in order to prevent damage to the pole saw. On average, an oil filling is sufficient for the operating time of the fuel tank (depending on the duration of pauses and the density of the workpiece).

**SAW CHAIN:** Check the tension of the saw and the condition of the blades. The sharper the saw chain is, the easier and more manageable operations will be. The same applies to chain tension. Check the tension every 10 minutes of operation to maximize safety. New saw chains in particular are subject to changes due to the heat created by operation.

**PROTECTIVE CLOTHING:** Make sure to wear the appropriate close-fitting protective clothing such as hainsaw-protective pants, gloves and safety shoes. Wear a safety helmet with integrated hearing protection and a face guard to provide protection against falling and recoiling branches.



## STARTING AND STOPPING

To start a cold engine:

1. Slowly press the primer bulb 5-10 times.

**NOTE:** After the 7th press, fuel should be visible in the primer bulb. If it is not, continue to press the primer until you see fuel in the bulb.

2. Push the choke button in till it clicks into position.

**NOTE:** Do not squeeze the throttle trigger because the choke will be pop out automatically.

3. Pull the starter grip /cord until resistance is detected.  
Rapidly pull 3 to 5 times or until you hear engine turn over or begin to start.
4. If engine does not start, release choke by squeezing throttle trigger and choke button pops out.
  - a. Engine is now in the run position.
  - b. Rapidly pull starter grip/cord until engine starts.
5. Allow the engine to run for 10 seconds, then squeeze throttle to provide fuel to engine and use for intended task.

**NOTE:** The choke button is only used when starting a cold engine. Never push the choke button in once the engine has been turned over or run. Otherwise the engine could be damaged.

### Restart a warm engine:

**NOTE:** DO NOT push choke button in.

1. Make sure the primer bulb has fuel inside.
2. Rapidly pull starter/grip until engine starts.
3. Squeeze throttle to provide fuel to engine.

### STOP THE ENGINE:

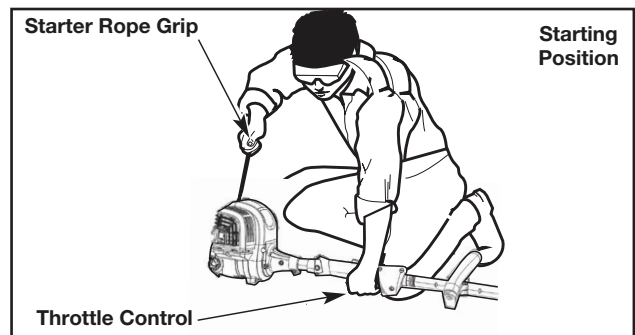
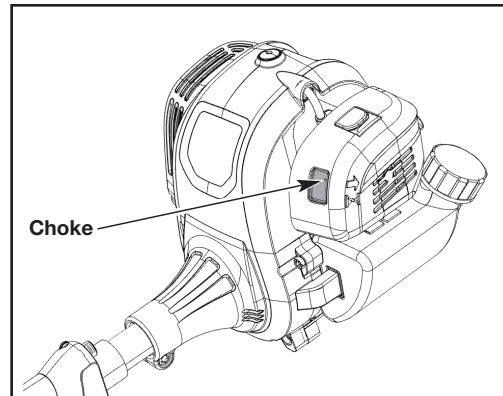
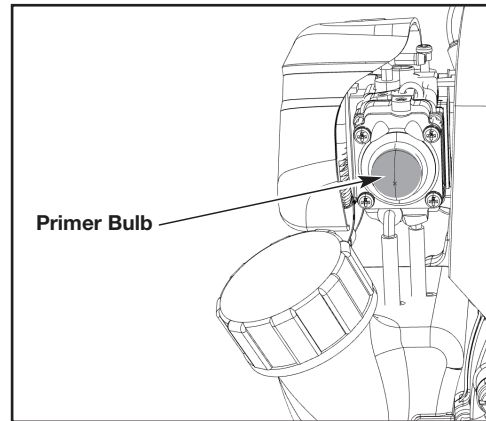
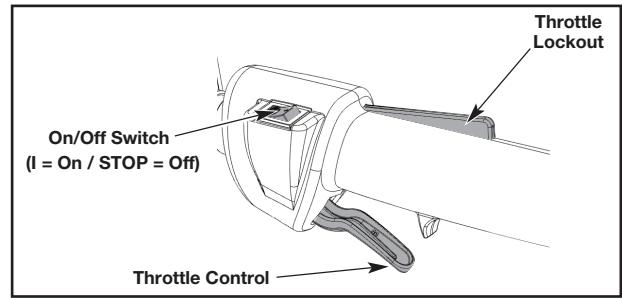
To stop the engine. Press and hold the On/Off switch in the off position till the engine stops.

**NOTE:** The On/Off switch will return to the on position automatically.

IF ASSISTANCE IS REQUIRED FOR THIS PRODUCT:  
Do not return this product to the retail store where it was purchased. Please call our Customer Service Department for any issues you may have. For Help Call: 1-800-261-3981

### HOLDING THE UNIT

- Stand in the operating position Stand up straight. Do not bend over.
- Keep feet apart and firmly planted.
- Hold the shaft grip with the right hand. Keep the right arm slightly bent.
- Hold the handle with the left hand. Keep the left arm straight.
- Hold the unit at waist level.
- Position the cutting head a few inches above the ground.
- Do not over-reach; Keep all parts of your body away from the rotating cutting attachment and hot surfaces.





# MAINTENANCE

When servicing, use only identical replacement parts. Use of any other parts could create a hazard or cause product damage.

## **! WARNING:**

To avoid serious injury, always stop the engine and allow it to cool before cleaning or maintaining the unit. Never perform cleaning or maintenance while the unit is running. Disconnect the spark plug wire to prevent the unit from starting accidentally.

## **! WARNING:**

Wear protective clothing and observe all safety instructions to prevent serious personal injury.

## CLEANING

Use a small brush to clean the outside of the unit. Do not use strong detergents. Household cleaners that contain aromatic oils such as pine and lemon, and solvents such as kerosene, can damage plastic. Wipe off any moisture with a soft cloth.

Correct and regular cleaning is not only important for the safe use of this product, but also extends its life span.

## MAINTENANCE SCHEDULE

Item	Hours of Operation
Check engine oil level	Every time before use
Check for loose/lost fasteners	
Check for damage	
Verify function of control elements	
Check fuel level	
Check for fuel/oil leaks	
Check cutting line	
Check guide bar/saw chain	Every 20 hours
Engine oil replacement	
Clean air cleaner	Every 20 hours. Every 10 hours in dusty conditions
Check spark plug	Every 20 hours

## REMARKS

- The maintenance interval is only a recommendation for machines in ordinary operating condition.
- If there are any abnormal signs from the machine, please do the proper inspection and maintenance immediately.
- The tightening torque should follow the general screw specification of different size, class and material.
- If anything is unclear to you, contact our service team for help.
- All other repairs or maintenance which are not mentioned here should only be an authorized service dealer.

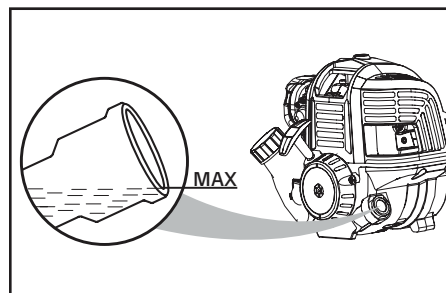
## REPLACE ENGINE OIL

### **! WARNING:**

Old engine oil is considered special waste and has to be disposed according to your local environment protection regulation. Do not pour the oil into a garbage can, sewer, soil etc.

The engine oil replacement is easier if engine is warm (NOT HOT!).

1. Open the oil tank cap and drain the old oil to an approved container.
2. Return the engine to an upright position and refill with lubricant following the instructions in the ADDING/ CHECKING ENGINE OIL section in this manual.
3. Clean the oil dropped on the unit if necessary.



## CLEAN AIR FILTER

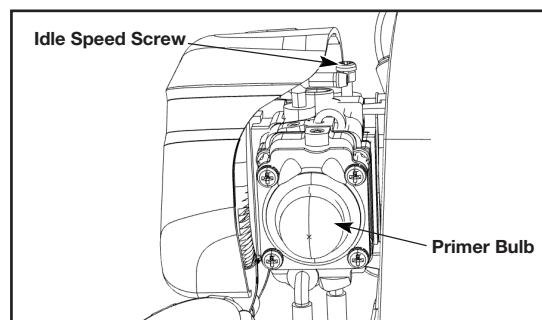
The air filter element should be cleaned to provide the engine abundant clear air which aids in starting, power, and life time of the engine.

1. Remove the air filter cover. To remove, press the button on the top of the cover with thumb and gently push up the cover with index finger.
2. Remove the air filter.
3. If only cleaning of the air filter is necessary, take the air filter pad out and clean it with dry compressed air until all dust is removed. Wear protective goggles and mask to protect your health during this procedure.

Reinstall the air filter cover by closing the air filter cover over the button on the housing, then push the cover until it locks securely in the place.

**NOTE:** Make sure the filter is seated properly inside the cover. Incorrect installation will allow dirt to enter the engine, causing rapid engine wear.

## ADJUST IDLE SPEED



## **⚠️ WARNING:**

The cutting attachment should never turn at idle. Turn the idle speed screw counterclockwise to reduce the idle RPM and stop the cutting attachment, or contact customer support for adjustment and discontinue use until the repair is made. Serious personal injury could result from the cutting attachment turning at idle.

## **⚠️ WARNING:**

The cutting head will move when adjusting the idle speed. Wear all protective clothing and keep all bystanders, children, and pets at least 50 ft. away. Make adjustments with the unit supported by hand so that the cutting head does not contact the ground or any object. Keep all parts of your body away from the cutting head and muffler. Failure to follow these instructions could result in serious personal injury.

If the engine will not idle properly:

1. Start the engine.
2. Release the throttle control and let the engine idle.
  - If the engine stops, increase the idle speed. Use a small Phillips screwdriver to turn the idle speed screw clockwise, 1/8 of a turn at a time, until the engine idles smoothly.
  - If the cutting head spins when the engine idles, reduce the idle speed. Turn the idle speed screw counterclockwise, 1/8 of a turn at a time, until the cutting head stops moving

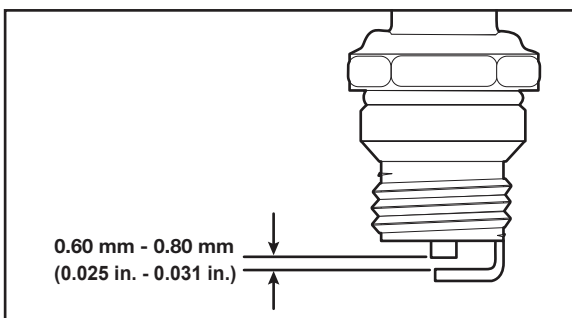
## **MAINTAINING THE SPARK PLUG**

### **⚠️ CAUTION:**

Do not remove the spark plug when the engine is hot.

### **⚠️ CAUTION:**

Do not sand blast, scrape or clean spark plug electrodes. Grit in the engine could damage the cylinder.



1. Stop the engine and allow it to cool. Grasp the spark plug boot firmly and pull it from the spark plug.
2. Clean around the spark plug. Remove the spark plug from the cylinder head with a 5/8-inch socket, turning counterclockwise.

**NOTE:** A 5/8-inch spark plug wrench is supplied with this unit.

3. Inspect the spark plug. If the spark plug is cracked, fouled or dirty, replace it with replacement part #AM5RC or an equivalent spark plug.
4. Use a feeler gauge to set the air gap at

0.6 mm - 0.8 mm (0.025 in. - 0.031 in.)

5. Install the spark plug in the cylinder head. Tighten the spark plug with a 5/8-inch socket, turning it clockwise until snug.

**NOTE:** If using a torque wrench, torque to 18 N•m (159 in.•lb.). Do not over tighten.

6. Reattach the spark plug boot.

## **REPLACING THE SAW CHAIN AND CHAIN BAR**

### **⚠️ WARNING:**

To avoid serious personal injury, always stop the engine and allow it to cool before cleaning or maintaining the unit. Never perform cleaning or maintenance while the unit is running. Disconnect the spark plug wire to prevent the unit from starting accidentally.

### **⚠️ WARNING:**

Wear protective clothing and observe all safety instructions to prevent serious personal injury.

Replace chain when cutters are too worn to sharpen or when chain breaks. Refer to **INSTALL THE CHAIN BAR AND CHAIN**. Only use replacement chain noted in this manual. Always include new drive sprocket when replacing chain. This will maintain proper driving of chain.

## **STORAGE**

- Never store a fueled unit where fumes may reach an open flame or spark.
- Allow the engine to cool before storing.
- Lock up the unit to prevent unauthorized use or damage.
- Store the unit in a dry, well-ventilated area.
- Store the unit out of the reach of children.

### **Short-term Storage (1-2 weeks)**

Store the unit in a horizontal position. If not possible, store the unit vertically with the engine at the top.

### **Long-term Storage**

1. Remove the fuel cap, tip the unit and drain the fuel into an approved container. Reinstall the fuel cap.
2. Start the engine and allow it to run until it stalls. This ensures that all fuel has been drained from the carburetor.
3. Allow the engine to cool. Remove the spark plug and put 5 drops of any high quality motor oil into the cylinder. Pull the starter rope slowly to distribute the oil. Reinstall the spark plug.
4. Thoroughly clean the unit and inspect it for any loose or damaged parts. Repair or replace damaged parts and tighten loose screws, nuts or bolts.
5. Store the unit in a horizontal position. If horizontal storage is not possible, store unit vertically with engine at top.

### **Preparing the Unit for Use after Long-term Storage**

1. Remove the spark plug. Tip the unit and drain all of the oil from the cylinder into an approved container. Reinstall the spark plug.
2. Change the oil. Refer to **Changing the Oil**.

**NOTE:** Do not use fuel that has been stored for more than 30 days. Dispose of old fuel and oil according to federal, state and local regulations.

## **TRANSPORTATION**

### **CAUTION:**

Install the guide bar cover when transporting to prevent personal injury.

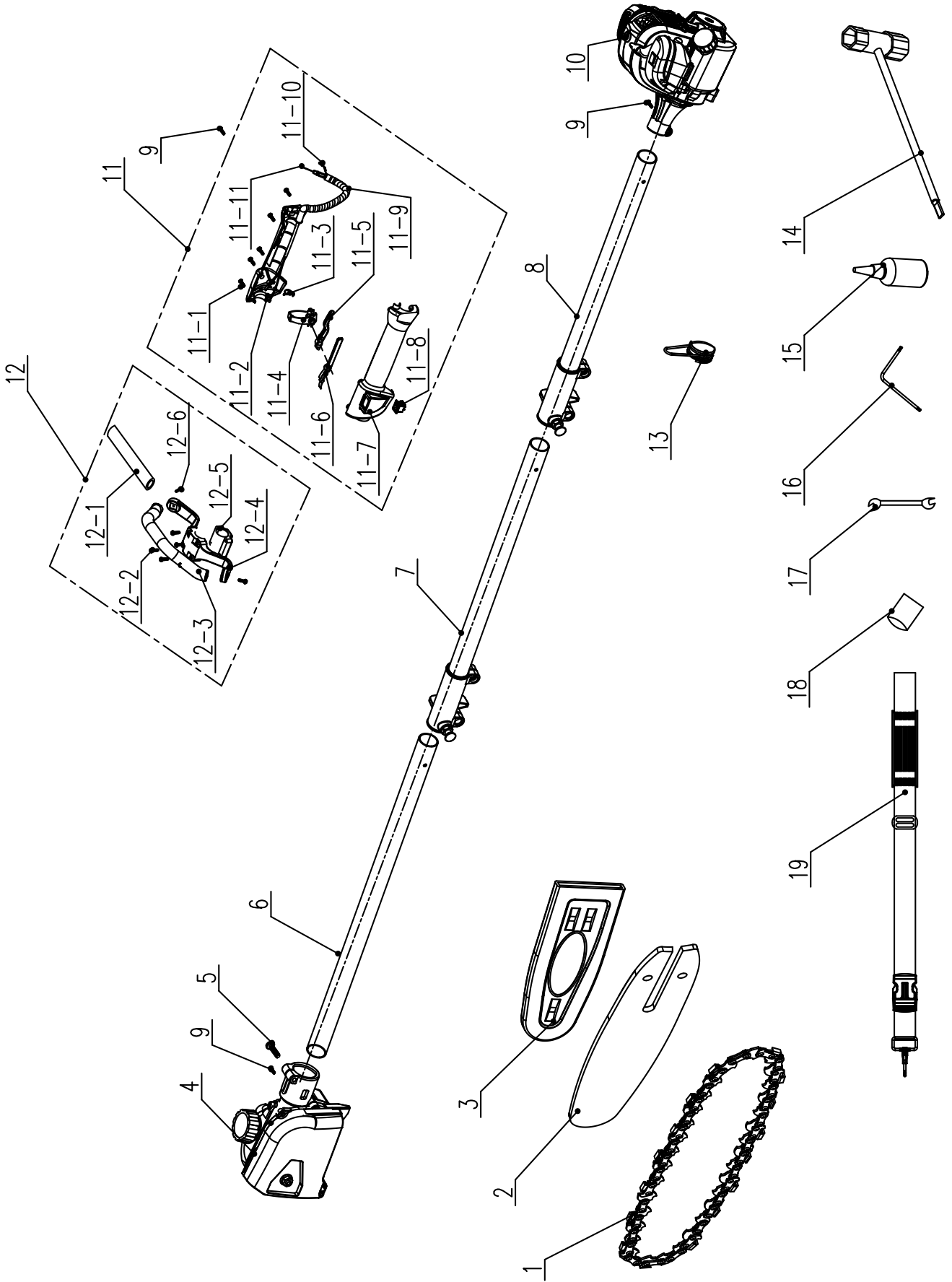
Transport the unit in a horizontal position. If not possible, transport the unit vertically with the engine at the top. Secure the pole saw to prevent damage during transport.

## TROUBLESHOOTING

PROBLEM	SOLUTION
<b>THE ENGINE WILL NOT START</b>	
The fuel tank is empty	Fill the fuel tank with fresh fuel
The primer bulb was not pressed enough	Press the primer bulb 10 times
The fuel is old (over 30 days)	Drain the fuel tank and add fresh fuel
The spark plug is fouled	Replace the spark plug
<b>THE ENGINE WILL NOT IDLE</b>	
The air filter is dirty	Clean or replace the air filter
The fuel is old (over 30 days)	Drain the fuel tank and add fresh fuel
Idle speed screw needs adjustment	Turn idle speed screw clockwise to increase idle speed
<b>THE ENGINE EMITS TOO MUCH SMOKE</b>	
Too much oil in crankcase	Drain engine oil and refill with correct amount of engine lubricant
<b>THE ENGINE WILL NOT ACCELERATE</b>	
The fuel is old (over 30 days)	Drain the fuel tank and add fresh fuel
The cutting head is bound with grass	Stop the engine and clean the cutting head
The air filter is dirty	Clean or replace the air filter
<b>THE ENGINE LACKS POWER OR STALLS</b>	
The fuel is old (over 30 days)	Drain the fuel tank and add fresh fuel
The air filter is dirty	Clean or replace the air filter
The spark plug is fouled	Replace the spark plug
<b>GUIDE BAR AND SAW CHAIN ARE RUNNING HOT, SMOKING OR STUCK</b>	
The saw chain tension is too tight	Adjust the saw chain tension
The chain oil tank is empty	Refill the chain oil tank
<b>THE SAW CHAIN DOES NOT ROTATE</b>	
The saw chain tension is too tight	Adjust the saw chain tension
The guide bar and saw chain are assembled incorrectly	Refer to INSTALL THE CHAIN BAR AND CHAIN
The guide bar and saw chain are damaged	Inspect the guide bar and saw chain for damage. Replace them if necessary
The drive assembly is damaged	Take the unit to a qualified service dealer
<b>THE SAW CHAIN ROTATES, BUT DOES NOT CUT</b>	
The saw chain is dull	Replace the saw chain or have it sharpened by an authorized service dealer
The saw chain is on backwards	Check and correct the saw chain direction

If further assistance is required, take the unit to a qualified service dealer.

# PARTS





## PARTS LIST

No.	Part #	Description	Qty.
1	243-0197	Saw Chain	1
2	243-0393	Guide Bar	1
3	9331-T10701-0000130	"Chain Protective Cover"	1
4	199141000002	Pole saw head assembly	1
5	8SJJD05-25D	Screw	1
6	199999001469	Lower Drive Shaft assembly	1
7	199999001468	Extension Tube assembly	1
8	199999001470	Rear tube assembly	1
9	8SJJD05-10D	Screw	3
10	103001000301	26.5 cc engine	1
11	199004000574	The handle assembly	1
11-1	8SJEB40-14D	Screw	5
11-2	202024002294	Right handle	1
11-3	8342-902101-0000000	Return spring	1
11-4	202999001676	Control circle	1
11-5	202004000882	Throttle trigger	1
11-6	202042000206	Control lever	1
11-7	202024002295	Left handle	1
11-8	207180200023	Switch	1
11-9	235-2001	Wire cover	0.2
11-10	199999001317	Stopping wire	1
11-11	199081000107	Cable assembly	1
12	199004000573	The handle assembly	1
12-1	299009000010	Handle sheath	1
12-2	8SJJB50-25D	Screw	4
12-3	202024002293	Front handle	1
12-4	202031000615	Handle bracket	1
12-5	202029000219	Pressure plate	1
12-6	8SJJB50-20D	Screw	2
16	8261-902101-0000000	Bar Nut Wrench	1
13	201024000010	Harness Hook	1
14	207179900029	Spark Plug Wrench	1
15	202999001666	Plastic bottle	1
17	207170600006	Hex Wrench	1
18	202023000077	Stopcock	2
19	208008000051	Harness	1

# WARRANTY

## LIMITED THREE-YEAR WARRANTY

3-year limited warranty on all Senix 4QL series gasoline powered equipment. FOR THREE YEARS from the original date of retail purchase this Senix product is warranted against defects in materials or workmanship on power tools. Defective product will receive free repair.\*

This warranty does not cover normal wear of parts and components such as cutting chain, line or blades nor does this warranty cover product transportation cost for warranty or service.

Warranty is subject to the following conditions:

- Warranty applies to the original purchaser at retail and is not transferrable\*
- Warranty Registration at [www.senixtools.com](http://www.senixtools.com)
- The tool has not been misused, abused, neglected, altered, modified or repaired by anyone other than an authorized service center
- Only genuine Senix accessories have been used with or on this product
- The tool has been subjected to normal wear and tear
- The tool has not been used for trade or professional purposes
- The tool has not been used for rental purposes
- This warranty only covers defects arising under normal usage and does not cover any malfunction, failure or defect resulting from misuse, abuse (including overloading the product, exposure to water or rain) accidents, neglect or lack of proper installation and improper maintenance or storage.

Direct your warranty or service questions to [service@senixtools.com](mailto:service@senixtools.com) or call toll free at 1-800-261-3981

## Additional Limitations

Any implied warranty granted under state law, including warranties of merchantability or fitness for a particular purpose, are limited to three years from the date of purchase on power tools and chargers and seven years on batteries. The manufacturer is not responsible for direct, indirect, incidental or consequential damages. Some states and provinces do not allow limitations on how long an implied warranty lasts and/or do not allow the exclusion or limitation of incidental damages, so the above limitations and exclusions may not apply to you. This warranty gives you specific legal rights, and you may also have other rights which vary from state to state or province to province.

The YAT USA declines any responsibility in regard to civil liability arising from abusive use or not in conformity with proper use and maintenance of the machine as described in the operator's manual.

YAT USA is not responsible for direct, indirect, incidental or consequential damages.

After the purchase, the manufacturer recommends proper maintenance of the machine and to read the operator's manual before using the machine.

\*Original purchase receipt may be required for proof of purchase

For customer service contact us toll free at 1-800-261-3981 or [Senixtools.com](http://Senixtools.com).

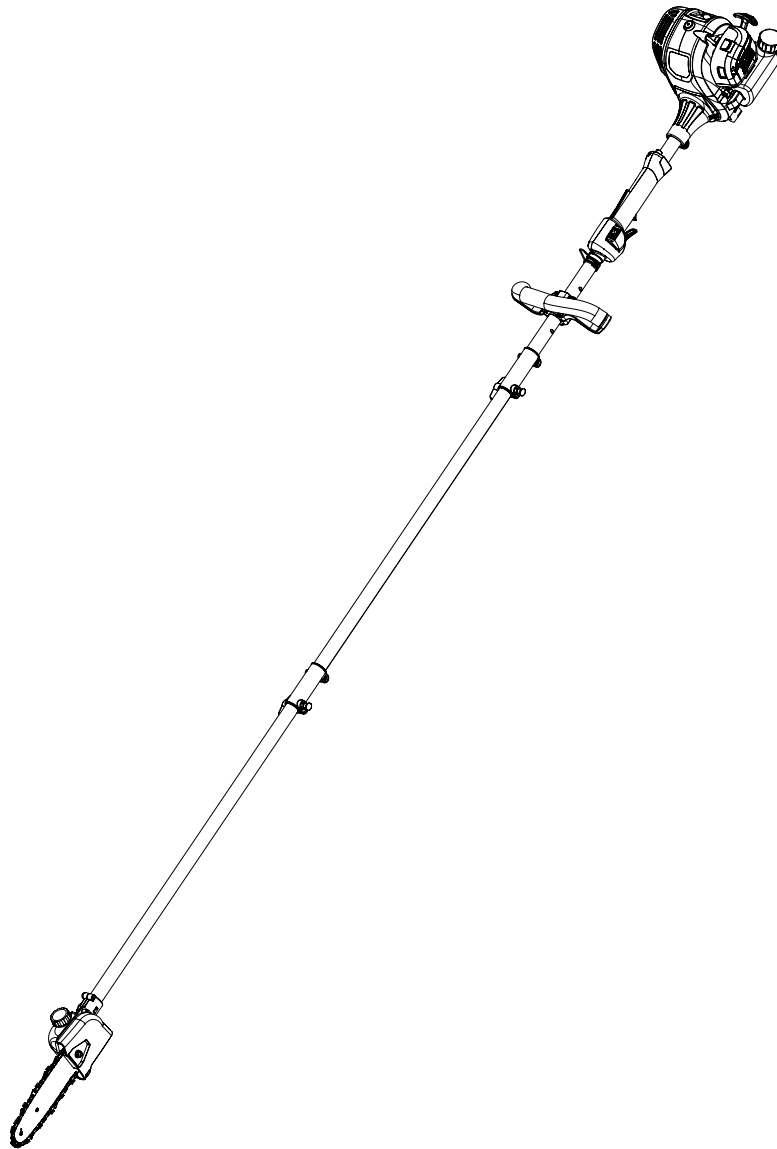
YAT USA, Inc. 6441 Hendry Road, Suite A, Charlotte, NC 28269



---

# Podadora de altura a gasolina con motor de 4 ciclos de 1.62 pulg. cúb. (26.5 cc)

Manual del operador  
Modelo: CSP4QL-L



Para el servicio de asistencia al cliente, llame al 1-800-261-3981 o envíe un correo electrónico a:

[Service@senixtools.com](mailto:Service@senixtools.com)

CONSERVE ESTE MANUAL PARA REFERENCIA EN EL FUTURO.

## • SÍMBOLOS DE SEGURIDAD E INTERNACIONALES •

El presente manual del operador describe los símbolos de seguridad e internacionales, así como los pictogramas que pueden aparecer en este producto.

Lea el manual del operador para consultar la información completa sobre seguridad, ensamblaje, operación, mantenimiento y reparación.



Para reducir el riesgo de lesión, el usuario debe leer el manual de instrucciones.



Los objetos voladores y los ruidos fuertes pueden causar serias lesiones oculares y pérdida de la audición. Utilice protección ocular conforme con los estándares actuales ANSI Z87.1 y protección auditiva al operar esta unidad. Use protección para la cabeza cuando opere esta unidad. Los objetos que caen pueden causar serias lesiones a la cabeza. Use una protección completa para el rostro cuando sea necesario.



Use protección para las manos.



Use calzado de seguridad antideslizante.



Si no mantiene las manos alejadas de la cuchilla, se puede producir una lesión personal seria



Evite los cables eléctricos, use la sierra en condiciones climáticas secas



No exponga el cortador a la lluvia.



¡PELIGRO!  
¡Riesgo de electrocución!



Indica peligro, advertencia o precaución. Precauciones que implican su seguridad



La cadena debe estar continuamente revestida con aceite para que funcione correctamente. Verifique el nivel de aceite antes de cada uso.



Se debe evitar el contacto de la punta de la barra guía con cualquier objeto.



El contacto con la punta puede hacer que la barra guía se mueva repentinamente hacia arriba y hacia atrás, lo que podría causar serias lesiones.



Siempre use las dos manos cuando opere la podadora de altura.



NO USE COMBUSTIBLE E85 o E15 CON ESTA UNIDAD  
PRECAUCIÓN: Se ha comprobado que hay probabilidades de que el combustible que contiene más de 10% de etanol dañe este motor e invalide la garantía.



Utilice siempre combustible limpio, nuevo y sin plomo. Consulte el manual del operador para saber cuál es el tipo correcto de aceite.



Superficie caliente. No toque el silencioso o el cilindro calientes. Podría quemarse. Estas partes se calientan en extremo durante el funcionamiento. Permanecen calientes por un corto tiempo luego de haberse apagado la unidad.

**72dB(A)**  
MEASURED AT 50FT. (15M)  
PER ANSI S12.3

Nivel de presión acústica para los transeúntes: 72dB(A)



Los objetos que se desprenden pueden rebotar y causar lesiones personales o daños a la propiedad.



Todos los espectadores deben estar ubicados al menos a 15 m de distancia.

## ÍNDICE

SEGURIDAD.....	24
CONOZCA SU UNIDAD.....	28
ESPECIFICACIONES*.....	28
ENSAMBLAJE.....	29
OPERACIÓN.....	32
MANTENIMIENTO.....	35
DETECCIÓN Y SOLUCIÓN DE PROBLEMAS.....	38
PARTES.....	39
LISTA DE PARTES.....	40
GARANTÍA.....	42

## SEGURIDAD



### PELIGRO:

Indica un peligro EXTREMO. Si no sigue el símbolo de seguridad de PELIGRO, se producirá una lesión grave o la muerte, lo que dará como resultado una lesión grave o la muerte tanto para usted como para los demás.



### ADVERTENCIA:

El petróleo crudo, la gasolina, el combustible diésel y otros derivados del petróleo pueden exponerlo a sustancias químicas, incluyendo tolueno y benceno, cuyos efectos son reconocidos por el Estado de California por causar cáncer y defectos de nacimiento u otros daños reproductivos. Estas exposiciones pueden ocurrir cerca de campos petrolíferos, refinerías, plantas químicas, operaciones de transporte y almacenamiento, como tuberías, terminales marítimos, camiones cisterna y otras instalaciones y equipos. Para mayor información, visite: [www.P65Warnings.ca.gov/petroleum](http://www.P65Warnings.ca.gov/petroleum).



### ADVERTENCIA:

Indica un peligro GRAVE. Si no sigue el símbolo de seguridad de ADVERTENCIA se PUEDE producir una lesión grave, tanto para usted como para los demás.



### PRECAUCIÓN:

Indica un peligro MODERADO. Si no sigue el símbolo de seguridad de PRECAUCIÓN se PODRÍA producir un daño a la propiedad o una lesión, tanto para usted como para los demás.

**NOTA:** Le avisa que hay información o instrucciones vitales para la operación o el mantenimiento de los equipos.



### ADVERTENCIA:

#### PROPUESTA 65 DE CALIFORNIA

Este producto contiene un químico, cuyos efectos son reconocidos por el Estado de California por causar cáncer, defectos de nacimiento u otros daños reproductivos.

**Lea el manual del operador y siga todas las advertencias e instrucciones de seguridad. Si no lo hace, puede producirse una lesión grave que afecte al operador y/o a los transeúntes.**

## ADVERTENCIAS DE SEGURIDAD

1. Se deben observar las precauciones de seguridad adecuadas. Como con todos los equipos eléctricos, esta unidad se debe manipular cuidadosamente. **NO SE EXPONGA NI USTED MISMO NI A LOS DEMÁS AL PELIGRO.** Siga estas reglas generales. No permita que otra personas usen esta unidad a menos que sean muy responsables y que hayan leído y comprendido el manual de la podadora de altura de hilo que estén capacitados en su operación.
2. Siempre use gafas de seguridad para la protección a la vista. Vístase correctamente. No vista ropa suelta ni use joyas que pudieran enredarse en las partes móviles de la unidad. Siempre debe usarse un calzado seguro, sólido y antideslizante. Siempre use pantalones pesados y largos, botas, guantes y una camisa de manga larga. No use ropa suelta, joyas, pantalones cortos, sandalias ni esté descalzo. Átese el cabello para que esté por encima del nivel del hombro. El cabello largo debe estar atado hacia atrás. Se recomienda cubrir las patas y piernas para protegerse de los escombros que vuelen durante la operación.
3. Inspeccione toda la unidad en busca de piezas sueltas (tuercas, pernos, tornillos, etc.) y cualquier daño antes de comenzar y de operar. Repare o reemplace según sea necesario antes de usar la máquina.
4. Modificar su podadora de altura o instalar aditamentos que no son marca Senix puede hacer que sea insegura. Los aditamentos que no son marca Senix han sido generalmente diseñados para aplicaciones universales. Aunque los aditamentos posventa pueden caber en su podadora, podrían no cumplir con las especificaciones de fábrica y podrían hacer que su podadora sea insegura. No retire el protector del cabezal de corte no modifique su podadora de manera que altere su diseño u operación. Esto podría hacer que su podadora sea insegura. Como resultado, se podría producir una lesión grave al operador o a los transeúntes, así como un daño a la máquina.
5. Mantenga las asas sin aceite ni combustible.
6. No opere la unidad bajo condiciones de iluminación deficientes.
7. No opere la unidad cuando esté cansado, cuando su concentración se hay deteriorado y/o esté bajo la influencia de drogas, medicamentos o alcohol.
8. Siempre use las asas adecuadas cuando corte.
9. No fume mientras llene el tanque.
10. No llene el combustible en una habitación cerrada o cerca de llamas abiertas. Asegúrese que haya ventilación adecuada.



11. Siempre guarde en un contenedor correctamente marcado que sea aprobado por códigos y ordenanzas locales para dicho uso.
12. Nunca retire el tapón del tanque de combustible cuando el motor esté encendido.
13. Nunca arranque u opere el producto dentro de una habitación o edificio cerrado. Los vapores del escape contienen el peligroso monóxido de carbono.
14. Nunca intente hacer ajustes al motor mientras la unidad esté encendida. Siempre realice ajustes al motor con la unidad descansando sobre una superficie plana y despejada.
15. No use la unidad si está dañada o mal ajustada. Nunca retire la protección de la unidad. Como resultado, se podría producir una lesión grave al operador o a los transeúntes, así como un daño a la máquina.
16. Inspeccione el área a cortar y retire todos los escombros que pudieran atascarse en el cabezal de corte de nylon. También retire cualquier objeto que la unidad pueda arrojar durante el corte.
17. Mantenga a los niños alejados. Los observadores deben estar a una distancia segura del área de trabajo, al menos a 15 METROS (50 PIES) de distancia.
18. Nunca deje la unidad desatendida mientras el motor esté encendido.
19. Los usos no previstos por el fabricante pueden dar como resultado una lesión al operador o daños a la podadora de altura y a la propiedad.
20. No se estire demasiado. Mantenga su posición de pie y su equilibrio en todo momento. No use la unidad mientras esté parado sobre una escalera de tijera o sobre cualquier otro lugar inestable.
21. SIGA LAS INSTRUCCIONES para el ensamblaje y la operación.
22. No guarde la unidad en un área cerrada donde los vapores del combustible puedan alcanzar una llama abierta de calderos de agua, hornos, etc. Guárdela solamente en un área bien ventilada y asegurada.
23. Asegure el rendimiento seguro y adecuado de su unidad. Solo use accesorios originales. El uso de otros accesorios o aditamentos puede causar un peligro o lesión potencial al usuario, daños a la unidad e invalidar la garantía.
24. Si la unidad no va a ser utilizada por largo tiempo, limpie la unidad completamente, especialmente el tanque de combustible/aceite, sus alrededores y el filtro de aire.
25. Cuando reabastezca de combustible, detenga el motor y confirme que se haya enfriado. Nunca reabastezca de combustible cuando el motor esté encendido o caliente. Cuando haya una fuga de gasolina, asegúrese de limpiarla completamente y deseche esos materiales antes de arrancar el motor.
26. Permanezca alejado de los demás trabajadores o transeúntes al menos a una distancia de 15 metros/50 pies. Tenga cuidado de no sorprender o distraer al operador, lo que podría causar una situación insegura.
27. El motor tiene que apagarse cuando se mueve la unidad a distintas áreas de trabajo.
28. Preste atención a las piezas sueltas o sobrecalentadas. Si se produce alguna anomalía de la unidad, detenga la operación inmediatamente y verifique la unidad cuidadosamente.
29. De ser necesario, que la unidad sea revisada por. Nunca siga operando una unidad que pudiera estar defectuosa.
30. Al momento del arranque o durante la operación del motor, nunca toque las piezas calientes, como el amortiguador, al alambre de alta tensión o la bujía.
31. Luego que el motor se ha detenido, el amortiguador sigue caliente. Nunca coloque la unidad en lugares donde haya materiales inflamables (césped seco, etc.), gases combustibles o líquidos combustibles.
32. Preste particular atención a la operación en la lluvia o justo después de la lluvia, ya que el suelo podría estar resbaloso.
33. Si se resbala o cae al suelo, suelte la palanca del acelerador inmediatamente.
34. Tenga cuidado de no dejar caer la unidad o de golpearla contra los obstáculos.
35. Antes de proceder a ajustar o reparar la unidad, asegúrese de detener el motor y desenganchar la bujía.
36. Cuando la máquina se coloca en el almacenamiento durante un largo tiempo, drene el combustible/aceite del tanque de combustible/aceite y del carburador, limpie las piezas y mueva la máquina a un lugar seguro.
37. Realice inspecciones periódicas para garantizar una operación segura y eficiente.
38. Mantenga la unidad lejos del fuego o de las chispas.
39. Mantenga su cuerpo caliente, especialmente la cabeza, el cuello, los pies, los tobillos, las manos y las muñecas.
40. Mantenga una buena circulación de la sangre realizando ejercicios vigorosos con los brazos durante los descansos frecuentes en el trabajo y también no fumando.
41. Limite las horas de operación.
42. Si sufre molestias, enrojecimiento e hinchazón de los dedos, seguido de decoloración y pérdida de sensibilidad, consulte a su médico antes de exponerse aún más al frío y a las vibraciones.
43. Siempre use protección para la audición. Los ruidos fuertes durante períodos prolongados pueden causar pérdida de la audición, incluso sordera permanente.
44. Use guantes de trabajo resistentes y antideslizantes para mejorar su agarre en el asa. Los guantes también reducen la transmisión de las vibraciones de la máquina a sus manos.
45. No coloque la máquina de costado; de lo contrario el combustible puede derramarse.
46. La evaporación del combustible durante el reabastecimiento de combustible y los gases de escape son perjudiciales para el operador y la gente alrededor de la unidad.
47. Asegúrese que la evaporación del combustible y los gases de escape no se desplacen a la cara del operador y mantenga a otras personas fuera de su área de trabajo.
48. No permita que niños o personas no capacitadas usen esta unidad.

## RIESGOS RESIDUALES



### ADVERTENCIA:

Incluso cuando la unidad sea utilizada como se indica, no es posible eliminar todos los factores de riesgo residuales. Los siguientes peligros pueden surgir en conexión con la construcción y el diseño de la unidad.

- Los pulmones pueden dañarse si no se usa una mascarilla antipolvo efectiva.
- La audición puede dañarse si no se usa una protección contra los oídos efectiva.
- Los defectos de salud que sean resultado de la emisión de vibraciones si la unidad se usa por largos períodos de tiempo o si no se maneja o mantiene adecuadamente.



### ADVERTENCIA:

Esta unidad produce un campo electromagnético durante su operación. Este campo puede interferir, bajo ciertas circunstancias, con implantes médicos activos o pasivos. Para reducir el riesgo de lesión seria o mortal, recomendamos que las personas con implantes médicos consulten primero con su doctor y el fabricante del implante antes de operar esta unidad.



### ADVERTENCIA:

Inspeccione la unidad antes de cada uso. Reemplace las piezas dañadas. Verifique para ver si hay fugas de combustible. Asegúrese que todos los sujetadores estén en su lugar y asegurados. Reemplace las partes que estén fisuradas, rotas o dañadas de alguna manera. Asegúrese que el aditamento de corte esté correctamente instalado y bien asegurado.



### ADVERTENCIA:

No opere la unidad dentro de un entorno cerrado, como una habitación o edificio; respirar el monóxido de carbono de los gases de escape puede matarlo.



### ADVERTENCIA:

Vierta el combustible al aire libre, donde no haya chispas ni llamas. Retire lentamente el tapón de combustible sólo después de detener el motor. No fume mientras se carga o mezcla combustible. Limpie el combustible que se haya derramado de la unidad. Aléjese al menos 3 m (10 pies) del lugar y fuente de carga de combustible antes de arrancar el motor.

## NORMAS ESPECIFICAS DE SEGURIDAD PARA LAS MOTOCULADORAS



### ADVERTENCIA:

No operar cerca de cables eléctricos. La unidad no ha sido diseñada para proporcionar protección ante descargas eléctricas en caso de contacto con los cables eléctricos aéreos. Consulte las regulaciones

locales sobre distancias seguras desde los cables eléctricos aéreos y asegúrese que la posición de operación sea segura antes de operar la podadora de altura con cadena de sierra.

1. Use protección para la cabeza y la vista, y equipos de protección personal (EPP), incluyendo ropa adecuada.
2. Mantenga a los transeúntes (especialmente a los niños) a una distancia segura durante la operación de la podadora de altura con cadena de sierra.
3. Mantenga todas las partes del cuerpo alejadas de la cadena de sierra. No retire el material cortado ni sostenga material a ser cortado cuando las cuchillas estén en movimiento. Asegúrese que el interruptor esté apagado cuando despeje el material atascado. La cadena de sierra sigue moviéndose luego de apagado el interruptor. Un momento de falta de atención mientras opere sierra puede ocasionar lesiones personales graves.
4. Cargue sierra del asa cuando la cadena de sierra se haya detenido. Cuando transporte o guarde sierra, siempre colóquele la cubierta del dispositivo de la cadena de sierra. El manejo adecuado de sierra reducirá posibles lesiones personales que pudiera causar la cadena de sierra.
5. Sujete sierra solo por las superficies de agarre aisladas, ya que la cadena de sierra puede entrar en contacto con un cableado oculto. Una cadena de sierra en contacto con un cable "cargado" puede hacer que las partes metálicas expuestas de sierra se "carguen" y podría provocar una descarga eléctrica en el operador.
6. Mantenga el cable alejado del área de corte. Durante la operación, el cable podría ocultarse entre los matorrales y ser accidentalmente cortado por la cadena de sierra.
7. No utilice sierra bajo condiciones climáticas adversas, especialmente si hay riesgo de rayos. Esto reduce el riesgo de ser alcanzado por un rayo.
8. Para reducir el riesgo de electrocución, nunca use el artefacto cerca de cables eléctricos.
9. El contacto o la cercanía con cables eléctricos puede causar lesiones graves o una descarga eléctrica que dé como resultado la muerte.
10. Siempre use las dos manos cuando opere sierra. Sostenga sierra con ambas manos para evitar perder el control.
11. Siempre use protección para la cabeza cuando opere sierra. Los escombros que caen pueden producir lesiones personales graves.

## MEDIDAS DE SEGURIDAD ADICIONALES DE FUNCIONAMIENTO

- Siempre desconecte el alambre de la bujía antes de ensamblarlo, ajustarlo o limpiarlo, y antes de dejar la máquina desatendida por cualquier período de tiempo.
- Siempre use el arnés para cargar el peso de la herramienta en el hombro. Si usa el arnés cruzado sobre su cuerpo, aprenda a usar la liberación rápida en el arnés y manténgala frente a su cuerpo.
- Se recomienda que el usuario sin experiencia reciba una formación práctica en el uso de la podadora y de los equipos de protección de un operador experimentado.

- Esta herramienta no debe ser usada por personas (incluyendo a niños) con capacidades físicas, sensoriales o mentales limitadas, o sin experiencia o conocimientos, a menos que sean supervisadas o que reciban instrucciones relacionadas al uso del artefacto para asegurar que no jueguen con el artefacto.
- Los niños y jóvenes, con excepción de aprendices mayores de 16 años y bajo supervisión, no pueden operar el producto. Lo mismo se aplica para las personas que no tienen suficientes conocimientos como para manipular el producto.
- Las instrucciones de operación deben estar siempre a la mano. Las personas no aptas o cansadas no deben operar la herramienta.
- Espere hasta que la cadena se detenga totalmente antes de reposarla sobre el suelo.
- Cualquier aspecto de mantenimiento debe realizarlo un representante de servicio autorizado.

5. Mantenga la tensión adecuada en la cuchilla en todo momento. Verifique la tensión a intervalos regulares.
6. Los cortes solo deben efectuarse cuando la cadena se esté moviendo a velocidad completa. No encienda o apague la podadora en medio de un corte. Tenga mucha precaución cuando reingrese en un corte anterior.
7. Corte una rama cada vez. No intente cortes internos o de penetración. Tenga cuidado con troncos en movimiento u otras fuerzas externas que podrían cerrar un corte y pinchar la cadena.
8. Haga un corte previo del lado opuesto del tronco para evitar que la cuchilla se pinche durante la operación como precaución adicional contra el rebote.

## TÉCNICAS DE PODA



### ADVERTENCIA:

Cuando retire las ramas, sostenga la podadora de altura en un ángulo que va de 0 a 60° para evitar ser golpeado por una rama que cae. La podadora nunca debe ser operada directamente por encima de la cabeza.

- Poda primero las ramas más bajas del árbol. Al hacerlo así, es más fácil que las ramas cortadas caigan al suelo.
- Al final del corte, el peso de la podadora aumenta repentinamente para el usuario, ya que ésta ya no está soportada por una rama. Existe el riesgo de perder el control de la sierra, así que asegúrese de estar alerta durante toda la operación de aserrado.
- Sólo tire para sacar la podadora de un corte cuando esté funcionando. Al hacerlo así, evitará que la cadena se atasque en la madera.
- No poda con la punta de la barra guía. No poda penetrando en las formaciones de la rama (donde el árbol expande sus ramas hacia afuera). Esto dificultará la habilidad que tiene el árbol de curarse. Para podar ramas más pequeñas, coloque el tope de la podadora en la rama. Esto evitará movimientos indeseados de la sierra al inicio del corte. Aplicando una leve presión, guíe la sierra a través de la rama, de arriba hacia abajo.
- Para podar ramas más grandes, realice primero un corte de mitigación. Aserre a través de 1/3 del diámetro de la rama, desde la parte inferior hacia la superior, usando el lado superior de la barra guía. Luego poda de arriba a abajo para los 2/3 restantes, usando el lado inferior de la barra guía.
- Poda las ramas más largas en secciones para mantener el control sobre el lugar del impacto.
- Cuando trabaje en una inclinación, siempre párese por encima o al lado de la rama que se esté podando. Sostenga la herramienta lo más cerca posible a su cuerpo. Al hacerlo, maximizará su equilibrio.

## CONSERVE ESTAS INSTRUCCIONES

### REDUCCIÓN DEL REBOTE

El rebote puede ocurrir cuando la punta de la barra guía toca un objeto o cuando la madera se cierra y pincha la cadena de sierra dentro del corte. El contacto de la punta puede hacer que la barra guía rebote hacia arriba y de regreso hacia el operador.



### ADVERTENCIA:

El peligro de un rebote es mayor cuando se intenta cortar cerca o con la punta de la barra guía. Siempre use la podadora lo más plano posible para evitar una pérdida de control durante la operación.

Si la cadena de la sierra se pincha a lo largo de la parte superior de la barra guía, entonces ésta podría empujar la barra rápidamente hacia el operador. Cualquiera de estas reacciones podría hacer que pierda el control de la podadora, lo que podría aumentar las probabilidades de una lesión personal seria. No se fíe exclusivamente de los dispositivos de seguridad integrados en la podadora. El rebote es el resultado del mal uso de la herramienta y/o de procedimientos de operación incorrectos. Estas condiciones pueden minimizarse con los siguientes pasos:

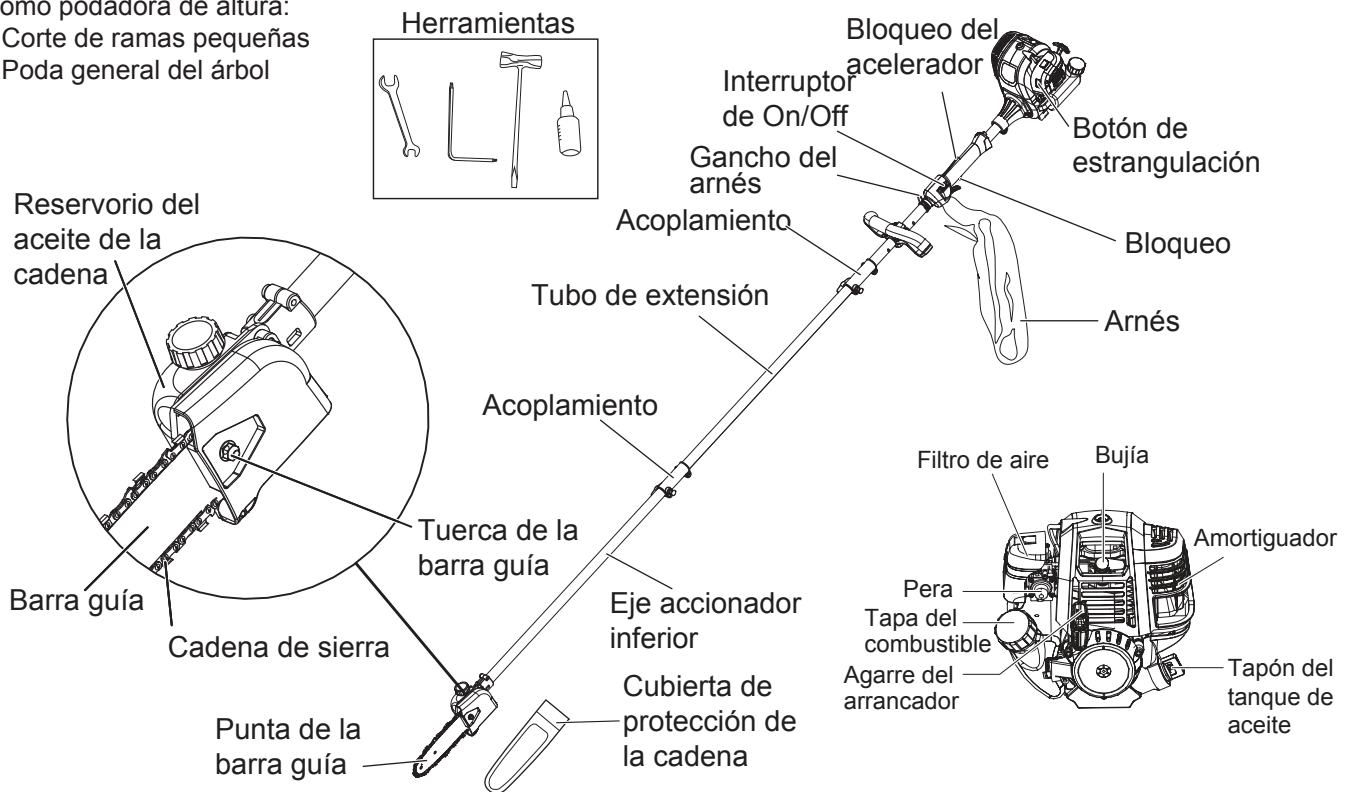
1. Mantenga un agarre firme, con los pulgares y los demás dedos alrededor de las asas de la podadora de altura. Ambas manos deben estar en la podadora, con su cuerpo y brazos en una posición para resistir las fuerzas del rebote.
2. No se estire demasiado y mantenga el área de trabajo despejada de obstrucciones.
3. Sólo use las barras y cadenas de repuesto que especifique Senix. Reemplace las cuchillas sin filo según sea necesario.
4. No deje que la punta de la barra guía entre en contacto con otras superficies.

## CONOZCA SU UNIDAD

### APLICACIONES

Como podadora de altura:

- Corte de ramas pequeñas
- Poda general del árbol



### SPÉCIFICATIONS\*

Tipo de motor.....	Refrigerado por aire, 4 ciclos
Desplazamiento.....	1.62 pulg. cúb. (26.5 cc)
Espacio de la bujía.....	0.025 pulg. - 0.031 pulg. (0.6 - 0.8 mm)
Lubricación.....	SAE 10W-30
Capacidad de lubricación del cárter.....	2.01 oz. (60 ml)
Capacidad del tanque de aceite de lubricación de la cadena.....	4.02 oz. (120 ml)
Capacidad del tanque de combustible.....	9.46 oz. (280 ml)
Velocidad de la cadena.....	59 pie/s (18 m/s)
Arnés de un hombro.....	Sí
Tipo de asa.....	Asa D
Tipo de eje.....	Flexible
Barra de la cadena.....	8 pulg. AM08-33-507P
Cadena de la sierra.....	8 pulg. 3/8.050x33DL
Longitud total (con tubo de extensión, cadena y barra).....	105.5 pulg. (2680 mm)
Longitud del tubo de extensión.....	30.7 pulg. (780 mm)
Material del tubo.....	Aluminio
Dimensiones.....	105.5x13x8.7 pulg. (2680x330x220 mm)
Peso (completamente ensamblado, sin combustible o aceite).....	12.57 lbs. (5.7 kg)

\* Todas las especificaciones se basan en la información más reciente del producto que se encuentra disponible al momento de la impresión. Nos reservamos el derecho a realizar modificaciones en cualquier momento y sin previo aviso.



## ENSAMBLAJE

Este producto requiere ensamblaje. Retire cuidadosamente el producto y los accesorios de la caja. Asegúrese que todos los artículos que figuran en la lista del paquete estén incluidos. Inspeccione el producto cuidadosamente para asegurarse que no se hayan producido roturas o daños durante el envío. No deseche el material de embalaje hasta que haya inspeccionado cuidadosamente y operado satisfactoriamente el producto. Si hay partes dañadas o faltantes, llame al 1-800-261-3981 para obtener ayuda.

### **ADVERTENCIA:**

No utilice este producto si alguna pieza en la lista de empaque ya está ensamblada a su producto cuando lo desempaque. Las piezas de esta lista no están ensambladas al producto por parte del fabricante y requieren la instalación por parte del cliente. El uso de un producto que pueda haber sido ensamblado incorrectamente podría causar lesiones personales graves.

### **PARTES INCLUIDAS**

Cantidad	Ítem
1	Manual del operador
1	Accesorios del asa y de montaje
1	Cubierta de protección de la cadena
1	Llave de la bujía
1	Llave de la tuerca de la barra
1	Llave hexagonal
1	Botella de 60 ml fabricación a partir de
1	Arnés

### **ADVERTENCIA:**

Para evitar un arranque accidental que podría causar lesiones personales graves, siempre desconecte el alambre de la bujía del motor de la bujía al ensamblar las piezas.

### **ADVERTENCIA:**

Nunca instale, retire o ajuste ningún aditamento mientras el cabezal de energía esté funcionando. Si no detiene el motor, se pueden causar graves lesiones personales.

### **ADVERTENCIA:**

No permita que su familiarización con los productos lo vuelva descuidado. Recuerde que una fracción de segundo descuidada es suficiente para causar una lesión grave.

### **ADVERTENCIA:**

Siempre use protección para la vista con protectores laterales marcados para cumplir con la norma ANSI Z87.1, junto con protección auditiva. No hacerlo podría resultar en objetos proyectados hacia sus ojos y otras posibles lesiones graves.

## DESEMPAQUE

### **ADVERTENCIA:**

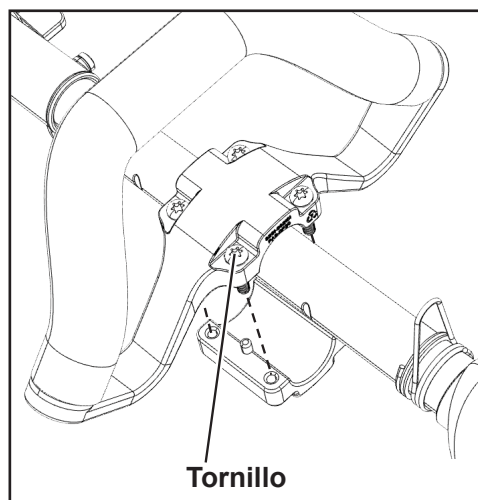
Si cualquier parte de la podadora de altura está dañada o ausente, no opere la podadora de altura hasta que la parte dañada haya sido reparada o reemplazada.

**NO** descarte la caja o el material de empaque hasta que todas las partes sean examinadas.

**NOTA:** El aceite para la cadena y barra no viene incluido. Debe llenar la motosierra con aceite SAE 10W-30 ANTES de utilizarla.

**NOTA:** Retire la cubierta de la cadena/barra/cuchilla antes de su uso.

## INSTALACIÓN DEL ASA

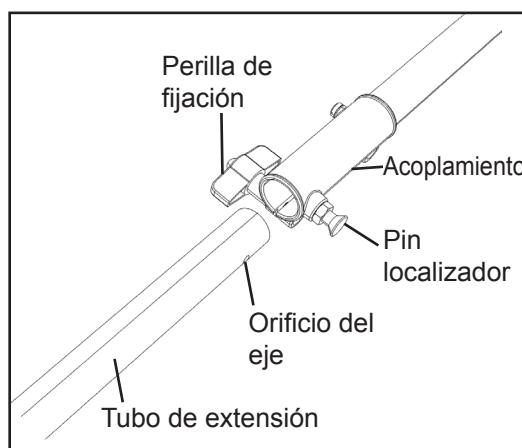


1. Atornille el asa y el sujetador utilizando la llave hexagonal suministrada. Los tornillos y el sujetador están preensamblados en el asa delantera.
2. Ajuste los 4 tornillos hasta que el asa esté segura.

## EJE DEL CABEZAL DE ENERGÍA / ENSAMBLAJE DEL EJE INFERIOR

### **ADVERTENCIA:**

Desconecte el alambre de la bujía antes de realizar un mantenimiento o los procedimientos de ensamblaje.



1. Coloque el ensamblaje del motor sobre una superficie nivelada. Afloje la perilla de fijación.
2. Tire del pin localizador y gire hacia la izquierda 1/4 de giro hasta la posición de bloqueo. Retire la tapa y



el espaciador de cartón, de ser necesario.

3. Alinee el orificio en el brazo de extensión con el pin localizador en el acople.
4. Instale el tubo de extensión en el acople. Tire del pin localizador hacia afuera y gire hacia la derecha 1/4 de giro para liberar. Empuje el eje accionador hasta que el pin localizador se bloquee en su lugar.
5. Ajuste la perilla de fijación.
6. Siga los pasos del 1 al 5 e instale el ensamblaje del eje accionador inferior.

## INSTALE LA BARRA DE LA CADENA Y LA

### **ADVERTENCIA:**

Desconecte el alambre de la bujía antes de realizar un mantenimiento o los procedimientos de ensamblaje.

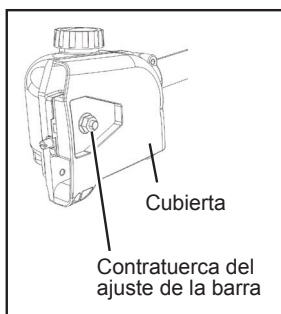
### **ADVERTENCIA:**

Los bordes de corte en la cadena son filosos. Use guantes protectores cuando manipule la cadena.

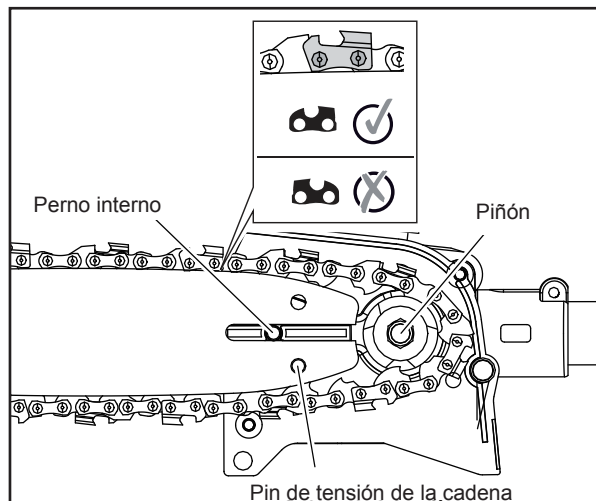
### **ADVERTENCIA:**

SIEMPRE mantenga una tensión adecuada en la cadena. Una cadena suelta puede aumentar el riesgo de rebote. Una cadena suelta puede salirse de la ranura de la barra de la cadena. Esto puede lesionar al operador y dañar la cadena. Una cadena suelta puede hacer que la cadena, la barra de la cadena y el piñón se desgasten rápidamente. La vida útil de la cadena de la cadena de sierra depende de que haya una lubricación suficiente y una tensión correcta. Evite tensionar la cadena si está caliente, ya que la cadena podría sobretensionarse cuando se enfríe.

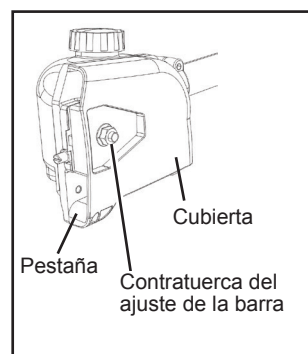
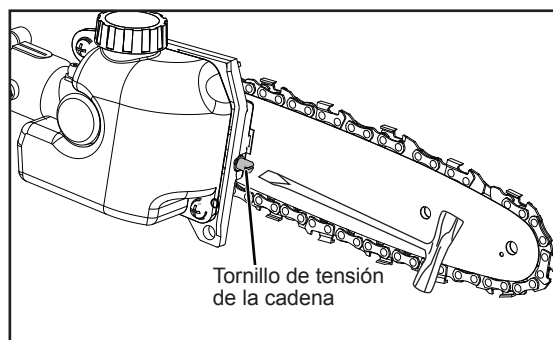
1. Coloque el cuerpo de la sierra sobre una superficie firme y nivelada.
2. Usando la llave suministrada, gire la tuerca de bloqueo de ajuste de la barra hacia la izquierda para aflojarla. Retire la tuerca bloqueo y la cubierta.



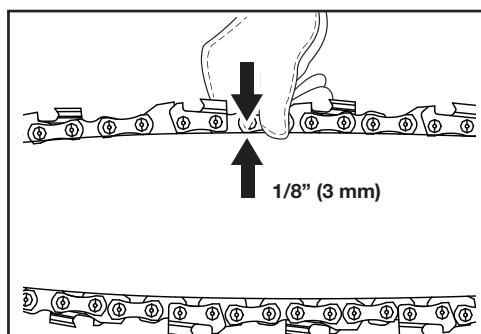
3. Usando guantes de protección, envuelva la cadena de sierra alrededor de la barra de la cadena, asegurándose que los dientes estén apuntando en dirección de la rotación. La cadena debe configurarse correctamente en la ranura que se extiende a lo largo de todo el borde exterior de la barra de la cadena.
4. Coloque la cadena de sierra alrededor del piñón mientras alinea la ranura en la barra guía con el perno interno en la base de la sierra y el pin de tensión de la cadena en el orificio del pin de la barra de la cadena. El pin de tensión de la cadena podría necesitar ajustes para alinearse correctamente con el orificio de la barra de la cadena. Use un destornillador de cuchilla plana para girar el tornillo de tensión de la cadena para ajustar la ubicación del pin hasta que quepa en la barra de la cadena.



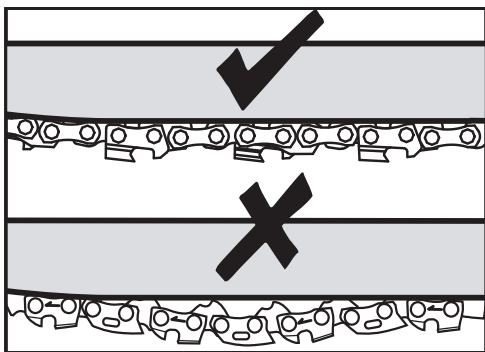
5. Gire el tornillo de tensión de la cadena hacia la derecha para ajustar preliminarmente la barra de la cadena lo suficiente como para que permanezca en su lugar. Mientras sostiene la barra en su lugar, coloque la cubierta de regreso a la podadora. Asegúrese que la lengüeta se alinee correctamente con la ranura en el cuerpo de la sierra. Instale la contratuerca. Usando la llave suministrada, gire la tuerca de bloqueo hacia la derecha para ajustarla. NO ajuste demasiado.



6. Verifique la tensión de la cadena tirando de la cadena de sierra, lejos de la barra de la cadena. Una cadena correctamente tensionada debe tener aproximadamente 1/8 de pulgada (3 mm) de distancia entre sí misma y la guía de la barra.



- Si son necesarios los ajustes, afloje la tuerca de bloqueo de ajuste de la barra un giro completo.
- Para ajustar la tensión de la cadena de la sierra, gire el tornillo de tensión de la cadena. Al girar el tornillo hacia la derecha, se aumenta la tensión, mientras que al girarlo hacia la izquierda, se reduce la tensión. Una cadena correctamente tensionada no debería descolgarse y sólo se debería poder tirar de ella 1/8 de pulgada (3 mm) lejos de la barra de la cadena de la podadora.
- Una vez que la cadena esté correctamente tensionada, ajuste la tuerca de bloqueo del ajuste de la barra. NO sobretensione la cadena: esto producirá un desgaste excesivo y reducirá la vida útil de la espada y la cadena.



## ! PRECAUCIÓN:

La cadena de la sierra debe estar correctamente tensionada para poder asegurar una operación segura.

## LUBRICACIÓN DE LA CADENA DE SIERRA

La podadora de altura presenta una lubricación de cadena automática. Nunca opere la podadora de altura sin el aceite de la cadena de sierra. El uso de la podadora de altura sin suficiente aceite de la cadena de sierra dañará la unidad.

Sólo use aceite de cadena de sierra SAE 10W-30. Otros aceites corren el riesgo de dañar la unidad e invalidar la garantía. Tome en cuenta las condiciones de temperatura. Usar la podadora a temperaturas variables requiere el uso de aceites diferentes. Para garantizar una capa suficiente de lubricante a bajas temperaturas, use aceite líquido (de baja viscosidad).

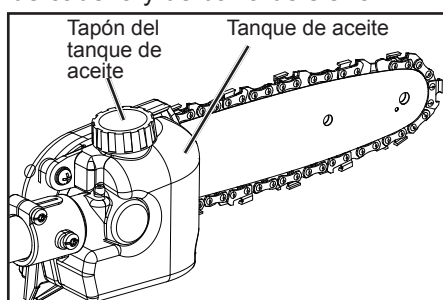
## LLENADO DEL TANQUE DE ACEITE DE LA CADENA DE LUBRICACIÓN

- Coloque la sierra sobre una superficie nivelada. Limpie el área alrededor de la tapa del tanque de aceite y luego ábrala.

## ! PRECAUCIÓN:

Asegúrese que no ingrese suciedad dentro del tanque de aceite para prevenir obstrucciones en la boquilla de aceite.

- Llene el tanque de aceite con 4.02 oz. (120 ml) de aceite de cadena y de barra de sierra.

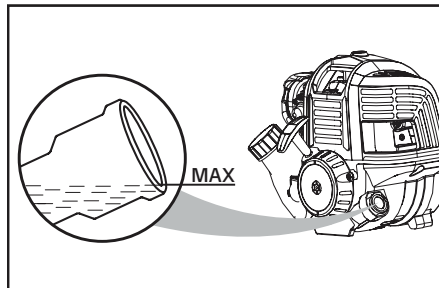


- Cierre la tapa del tanque de aceite.

## AÑADIR/VERIFICAR EL ACEITE DEL MOTOR

## ! PRECAUCIÓN:

El intento de arrancar el motor antes que se haya llenado correctamente con el lubricante dará como resultado la falla de los equipos no cubiertos por la garantía.



El lubricante del motor tiene una gran influencia sobre su rendimiento y su vida útil. Esta unidad se envía sin el lubricante del motor.

Siempre use un lubricante para motor de 4 ciclos que cumpla o supere los requerimientos para la clasificación SL del servicio API. SAE 30, 10W30 o 10W40 son todos los lubricantes aceptables para utilizar en este producto. Los lubricantes de motor no detergentes o de 2 tiempos dañarán el motor y no deben ser utilizados. Verifique el nivel de lubricante antes de cada uso.

## AGREGUE ACEITE DE MOTOR: USO INICIAL

- Destornille el tapón del aceite del motor y retírelo.
- Vierta 60 ml de aceite en el orificio de llenado de aceite. Vuelva a colocar y ajuste la tapa del aceite.

## VERIFIQUE EL ACEITE DEL MOTOR: ANTES DE CADA USO

- Separe la podadora de altura del ensamblaje del motor.
- Coloque el ensamblaje del motor sobre una superficie plana y nivelada con el eje paralelo a la superficie.
- Destornille el tapón del aceite y retírelo.
- El nivel de lubricante debe caer dentro de la parte superior del orificio de llenado de aceite (la parte superior de la rosca de tornillo).
- Si el nivel está bajo, agregue lubricante de motor hasta que el nivel del líquido se eleve hasta la parte superior del orificio de llenado de aceite (la parte superior de la rosca del tornillo).

**NOTA:** No lo llene demasiado.

- Vuelva a colocar y ajuste la tapa del aceite.

## ! PRECAUCIÓN:

No lo llene demasiado. El llenado excesivo del cárter puede causar un exceso de humo, pérdida de aceite y daños en el motor.

## ! ADVERTENCIA:

El funcionamiento de estos equipos podría producir chispas que pueden iniciar incendios alrededor de la vegetación seca. Podría ser necesario usar un supresor de chispa. El operador debe ponerse en contacto con las estaciones de bomberos locales para revisar las leyes o reglamentos relativos a los requerimientos para la prevención de incendios.

## **⚠️ ADVERTENCIA:**

No utilice ningún aditamento no recomendado por el fabricante de este producto. El uso de aditamentos o accesorios no recomendados puede resultar en lesiones personales graves.

## REABASTECIMIENTO DE LA UNIDAD

### **⚠️ ADVERTENCIA:**

La gasolina es extremadamente inflamable. Los vapores encendidos pueden explotar. Siempre detenga el motor y déjelo enfriarse antes de llenar el tanque de combustible. No fume mientras llene el tanque. Mantenga las chispas y las llamas abiertas a cierta distancia del área.

### **⚠️ ADVERTENCIA:**

Retire la tapa del combustible lentamente para evitar lesiones provocadas por el combustible rociado. Nunca opere la unidad sin la tapa de combustible asegurada en su lugar.

### **⚠️ ADVERTENCIA:**

Añada el combustible en un área limpia y bien ventilada, en exteriores. Limpie cualquier derrame de combustible inmediatamente. Evite crear una fuente de ignición con derrames de combustible. No arranque el motor hasta que los vapores del combustible se hayan disipado.

### **⚠️ ADVERTENCIA:**

La gasolina y sus vapores son altamente inflamables y explosivos. Para evitar lesiones graves y daños a la propiedad personal, manipúlela con cuidado. Manténgala alejada de fuentes de ignición y llamas abiertas, manipule solamente en exteriores. Vierta el combustible al aire libre, donde no haya chispas ni llamas. Retire lentamente el tapón de combustible después de detener el motor.

No fume mientras abastezca de combustible. Limpie el combustible que se haya derramado de la unidad. Aléjese al menos 3 m (10 pies) de la fuente de carga de combustible antes de arrancar el motor.

### **⚠️ ADVERTENCIA:**

Siempre use pantalones pesados y largos, botas, guantes y una camisa de manga larga. No use ropa suelta, joyas, pantalones cortos, sandalias ni esté descalzo. Átese el cabello para que esté por encima del nivel del hombro.

## UTILIZACIÓN DEL COMBUSTIBLE APROPIADO

El uso de combustible antiguo es la causa más común de los problemas de rendimiento. Use sólo gasolina fresca, limpia y sin plomo. Esta unidad tiene un motor de 4 ciclos. NO mezcle aceite con gasolina.

## Definición de combustibles mezclados

Los combustibles actuales con frecuencia son una mezcla de gasolina y oxigenados, como etanol,

metanol o MTBE (éter). El combustible mezclado con alcohol absorbe el agua. Tan sólo un 1% de agua en el combustible puede hacer que el combustible y el aceite se separen, formando ácidos cuando se almacene. SIEMPRE use combustible fresco (con menos de 30 días de antigüedad) con menos del 10% de etanol. Deseche el combustible antiguo conforme a las regulaciones federales, estatales y locales.

## Utilización de combustibles mezclados

Si utiliza un combustible mezclado:

Siempre use gasolina fresca sin plomo.

Use el aditivo de combustible STA-BIL® o un equivalente.

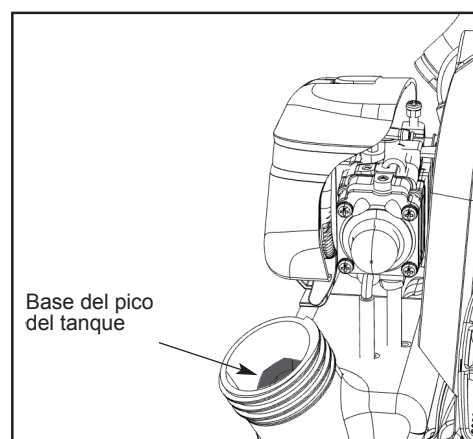
### **⚠️ ADVERTENCIA:**

NO USE COMBUSTIBLE E85 o E15 EN ESTA UNIDAD. Se ha comprobado que hay probabilidades de que el combustible que contiene más de 10% de etanol dañe este motor e invalide la garantía.

## USO DE ADITIVOS DE COMBUSTIBLE

Use un aditivo de combustible, como el estabilizador de combustible STA-BIL o un equivalente para inhibir la corrosión y minimizar los depósitos de resina. Añada 0.8 oz. (23 ml) de aditivo de combustible por galón, conforme a las instrucciones del contenedor. NUNCA añada los aditivos de combustible directamente al tanque de combustible de la unidad.

1. Retire la tapa del tanque de combustible girándolo hacia la izquierda. Descanse la tapa sobre una superficie limpia.
2. Con cuidado, vierta el combustible en el tanque hasta que el combustible alcance la base del pico del tanque. Evite derrames.



3. Inmediatamente reemplace el tapón de combustible y ajuste manualmente, girándolo hacia la derecha. Limpie cualquier derrame de combustible.

**NOTA:** Realice una inspección visual para ver si el nivel de combustible es bajo. Si el combustible está bajo, vuelva a llenar cuidadosamente con combustible sin plomo, sin llenar demasiado y ajuste el tapón del tanque de combustible inmediatamente.

- Esta unidad tiene un motor de 4 ciclos. No mezcle aceite con gasolina.
- El uso de combustible antiguo es la causa más común de los problemas de rendimiento. Utilice solamente gasolina sin plomo limpia y fresca (con menos de 30 días de antigüedad). Deseche el combustible antiguo conforme a las regulaciones federales, estatales y locales.
- Vacíe el tanque y encienda el motor en seco antes de guardar la unidad.
- No utilice combustible E15 o E85 (o combustible que contenga más de 10% de etanol) en este producto. Esto puede dañar la unidad e invalidar la garantía.

### **ADVERTENCIA:**

La carcasa del motor puede calentarse durante la operación de la podadora de altura. No apoye o coloque su brazo, mano o cualquier parte del cuerpo contra la carcasa del motor.

El contacto prolongado con la caja del motor puede resultar en quemaduras u otras lesiones.

### **ADVERTENCIA:**

Siempre coloque la unidad al lado derecho del operador. El uso de la unidad al lado izquierdo del operador expone al usuario a las superficies calientes y puede resultar en posibles lesiones por quemaduras. Para evitar quemaduras por superficies calientes, nunca opere la unidad con la parte inferior del motor por encima del nivel de la cintura.

### **ADVERTENCIA:**

No permita que su familiarización con los productos lo vuelva descuidado. Recuerde que una fracción de segundo descuidada es suficiente para causar una lesión grave.

### **ADVERTENCIA:**

Siempre use protección para la vista con protectores laterales marcados para cumplir con la norma ANSI Z87.1, junto con protección auditiva. No hacerlo podría resultar en objetos proyectados hacia sus ojos y otras posibles lesiones graves.

### **ADVERTENCIA:**

No utilice ningún aditamento no recomendado por el fabricante de este producto. El uso de aditamentos o accesorios no recomendados puede resultar en lesiones personales graves.

### **ADVERTENCIA:**

El funcionamiento de estos equipos podría producir chispas que pueden iniciar incendios alrededor de la vegetación seca. Podría ser necesario usar un supresor de chispa. El operador debe ponerse en contacto con las estaciones de bomberos locales para revisar las leyes o reglamentos relativos a los requerimientos para la prevención de incendios.

### **ADVERTENCIA:**

Opere esta unidad sólo en un área bien ventilada en exteriores. Los humos de escape de monóxido de carbono pueden ser letales en un área confinada.

### **ADVERTENCIA:**

Evite arrancar accidentalmente la unidad. Para evitar lesiones graves, el operador y la unidad deben estar en una posición estable cuando tire de la cuerda del arrancador.

### **PRECAUCIÓN:**

No trabaje hasta extenuarse. Tome pausas de descanso con regularidad y cambie de posición de trabajo para asegurarse de poder concentrarse en el trabajo y de tener el control total del producto. Mantenga los pies firmes y el equilibrio durante la operación.

### **PRECAUCIÓN:**

Inspeccione la unidad antes de cada uso. Reemplace las piezas dañadas. Verifique para ver si hay fugas de combustible. Asegúrese que todos los sujetadores estén en su lugar y asegurados.

## **PREPARACIÓN**

Antes de cada uso, revise los siguientes elementos para asegurarse que estén en condiciones de trabajo seguras.

**PODADORA DE ALTURA:** Antes de comenzar el trabajo, inspeccione la podadora de altura en busca de daños a la carcasa, la cadena de sierra y la barra guía. Nunca use una máquina dañada.

**TANQUE DE ACEITE:** Revise el nivel de llenado del tanque de aceite. También verifique si hay suficiente aceite disponible mientras trabaja. Nunca opere la podadora si no hay aceite o si el nivel de aceite no está visible para evitar daños a la podadora. En promedio, un llenado de aceite es suficiente para el tiempo de operación del tanque de combustible (dependiendo de la duración de las pausas y de la densidad de la pieza de trabajo).

**CADENA DE SIERRA:** Revise la tensión de la sierra y la condición de las cuchillas. Mientras más afilada la cadena de sierra, más fáciles y manejables serán las operaciones. Lo mismo ocurre con la tensión de la cadena.

Revise la tensión cada 10 minutos de operación para maximizar la seguridad. Particularmente, las nuevas cadenas de sierras están sujetas a cambios debido al calor creado por la operación.

**ROPA DE PROTECCIÓN:** Asegúrese de llevar puesta ropa ajustada apropiada, como pantalones protectores, guantes y calzado de seguridad. Use un casco de seguridad con protección auditiva integrada y un visor para el rostro para protegerse contra las ramas que caen y que rebotan.



## PUESTA EN MARCHA Y DETENCIÓN

Para arrancar un motor en frío:

1. Presione lentamente la pera de 5 a 10 veces.  
**NOTA:** Después de la 7ª presión, el combustible debería ser visible en la pera. Si no es así, continúe presionando la pera hasta que vea el combustible en ella.
2. Presione el botón de choke hasta que haga clic en la posición.  
**NOTA:** No apriete el activador del acelerador porque el estrangulador saltará hacia afuera automáticamente.
3. Tire del agarre/la cuerda de arranque hasta que se detecte resistencia. Rápidamente tire de 3 a 5 veces o hasta que escuche el motor encenderse o que comience a arrancar.
4. Si el motor no arranca, suelte el suelte el estrangulador ajustando el activador del acelerador y el botón del estrangulador va a saltar hacia afuera.
  - a. El motor está ahora en posición de arranque.
  - b. Rápidamente tire el agarre/la cuerda de arranque hasta que arranque el motor.
5. Permita que el motor funcione por 10 segundos, luego ajuste el acelerador para proporcionar combustible al motor y utilizarlo para la tarea prevista.  
**NOTA:** El botón del estrangulador se utiliza solamente cuando se arranca un motor en frío. Nunca presione el botón del estrangulador una vez que el motor ha sido activado o arrancado. De lo contrario, el motor podría dañarse.

### Reinicie el motor en caliente:

- NOTA:** NO presione el botón del estrangulador.
1. Asegúrese que la pera tenga combustible dentro.
  2. Rápidamente tire el arrancador/el agarre hasta que arranque el motor.
  3. Ajuste el acelerador para proporcionar combustible al motor.

### DETENCIÓN DEL MOTOR:

Para detener el motor. Presione y mantenga el interruptor de encendido/apagado en la posición de apagado hasta que el motor se detenga.

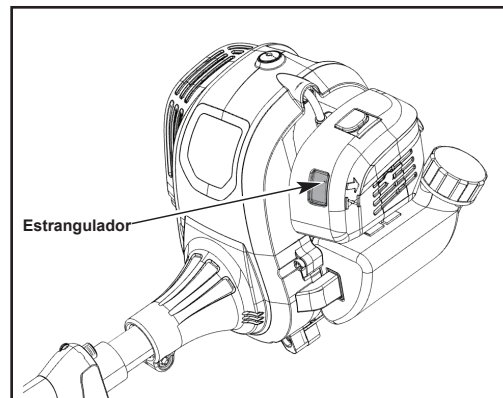
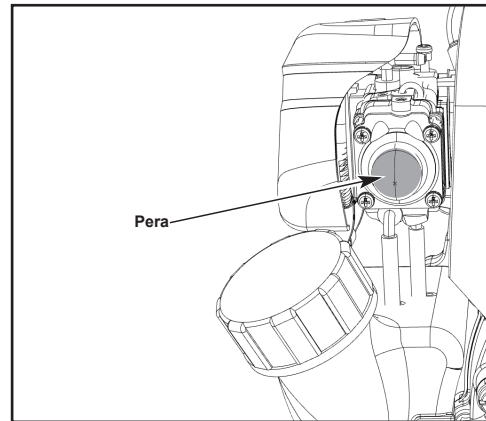
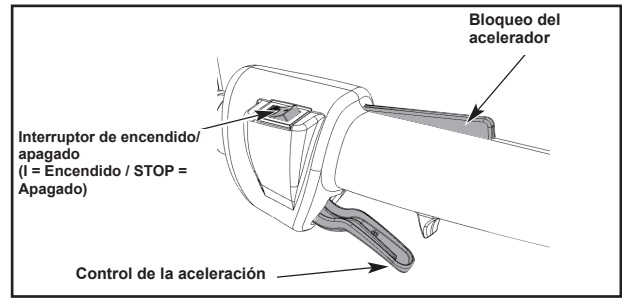
**NOTA:** El interruptor On/Off volverá a la posición On automáticamente.

SI SE REQUIERE ASISTENCIA PARA ESTE PRODUCTO:

No devuelva este producto a la tienda minorista donde lo compró. Llame a nuestro Departamento de Servicio al Cliente para cualquier problema que pueda tener. Para obtener ayuda llame al: 1-800-261-3981

### CÓMO SOSTENER LA UNIDAD

- Párese en la posición de operación y de forma recta. No se doble sobre ella.
- Mantenga los pies aparte y firmemente apoyados.
- Sostenga el agarre del eje con la mano derecha. Mantenga el brazo derecho ligeramente flexionado.
- Sostenga el asa con la mano izquierda. Mantenga el brazo izquierdo recto.
- Sostenga la unidad a nivel de la cintura.
- Coloque el cabezal de corte a unas cuantas pulgadas por encima del suelo.
- No se estire demasiado; mantenga todas las partes de su cuerpo lejos del aditamento de corte giratorio y las superficies calientes.



## MANTENIMIENTO

Cuando realice el mantenimiento, use sólo piezas de repuesto idénticas. El uso de otras piezas podría causar un riesgo o daños al producto.

### **⚠️ ADVERTENCIA:**

Para evitar lesiones personales graves, siempre apague el motor y deje que se enfríe antes de limpiar o mantener la unidad. Nunca lleve a cabo la limpieza o mantenimiento mientras la unidad esté en funcionamiento. Desconecte el alambre de la bujía para evitar que la unidad arranque accidentalmente.

### **⚠️ ADVERTENCIA:**

Use ropa protectora y observe todas las instrucciones de seguridad para evitar lesiones personales graves.

### LIMPIEZA

Use un cepillo suave para limpiar la parte externa de la unidad. No use detergentes fuertes. Los limpiadores domésticos que contienen aceites aromáticos tales como el pino y limón, los y disolventes tales como el kerosene, pueden dañar el plástico. Seque toda humedad con un paño suave.

Una limpieza correcta y con regularidad es importante no sólo para el uso seguro de este producto, sino también para extender su vida útil.

### CRONOGRAMA DE MANTENIMIENTO

Ítem	Horas de operación
Verifique el nivel de aceite del motor	Cada vez antes de su uso
Revise si hay sujetadores sueltos/perdidos	
Compruebe si hay daños	
Verifique la función de los elementos de control	
Revise el nivel de combustible	
Verifique para ver si hay fugas de combustible/aceite	
Verifique la línea de corte	
Verifique la barra guía/cadena de la sierra	
Reemplazo del aceite del motor	Cada 20 horas
Limpie el limpiador de aire	Cada 20 horas Cada 10 horas en condiciones polvorientas
Verifique la bujía	Cada 20 horas

### COMENTARIOS

- El intervalo de mantenimiento es sólo una recomendación para las máquinas en condiciones de funcionamiento normal.
- Si hay cualquier signo anormal de la máquina, realice la inspección y el mantenimiento adecuados de inmediato.

- El torque de ajuste debe seguir la especificación del atornillado general de diferentes tamaños, clases y materiales.
- Si algo no está claro para usted, póngase en contacto con nuestro equipo de servicio para asistencia.
- Todas las demás reparaciones o mantenimiento que no se mencionan aquí, sólo deben ser realizados por un authorized service dealer.

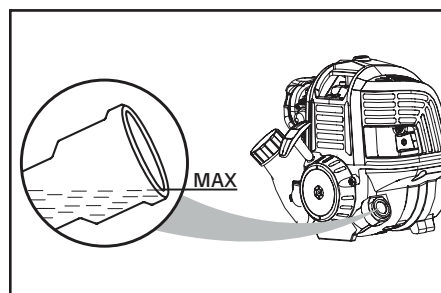
### CAMBIO DEL ACEITE DEL MOTOR

### **⚠️ ADVERTENCIA:**

El aceite de motor antiguo se considera como residuo especial y tiene que ser eliminado de acuerdo a su regulación de protección medioambiental local. No vierta el aceite en un cubo de basura, alcantarilla, suelo, etc.

El reemplazo del aceite del motor es más fácil si el motor está tibio (¡NO CALIENTE!).

1. Abra la tapa del tanque de aceite y drene el aceite antiguo a un recipiente aprobado.
2. Regrese el motor a una posición recta y rellene con lubricante siguiendo las instrucciones en la sección AÑADIR/VERIFICAR EL ACEITE DEL MOTOR en este manual.
3. Limpie el aceite que haya caído en la unidad si es necesario.



### LIMPIEZA DEL FILTRO DE AIRE

El elemento del filtro de aire debe limpiarse para proporcionar abundante aire limpio, lo que ayuda en el arranque, la potencia y vida del motor.

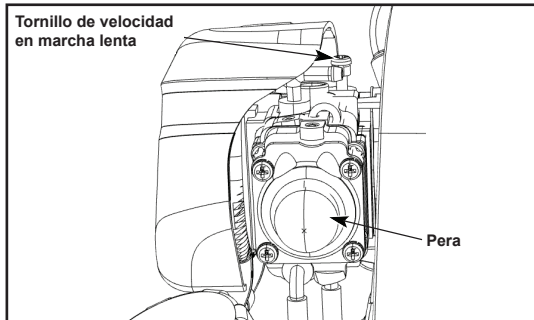
1. Retire la cubierta del filtro de aire. Para retirarla, presione el botón en la parte superior de la cubierta con el pulgar y presione suavemente hacia arriba la cubierta con el dedo índice.
2. Retire el filtro de aire.
3. Si sólo es necesario limpiar el filtro de aire, saque la almohadilla del filtro de aire y límpiela con aire comprimido seco hasta retirar todo el polvo. Use gafas protectoras y una mascarilla para proteger su salud durante este procedimiento.

Vuelva a instalar la cubierta del filtro de aire cerrando la cubierta del filtro de aire sobre el botón en la carcasa, luego presione la cubierta hasta que encaje firmemente en su lugar.

**NOTA:** Asegúrese que el filtro esté colocado correctamente dentro de la cubierta. Una instalación incorrecta permitirá que entre suciedad en el motor, causando un desgaste rápido del motor.



## AJUSTE DE VELOCIDAD EN MARCHA LENTA



### ⚠️ ADVERTENCIA:

El aditamento de corte nunca debe girar en marcha lenta. Gire el tornillo de velocidad en marcha lenta hacia la izquierda para reducir las revoluciones por minuto de la marcha lenta y así detener el aditamento de corte, o sino contacte al servicio de atención al cliente para que realice un ajuste y suspenda el uso hasta que se haga la reparación. Podría producirse lesiones personales graves como resultado del aditamento de corte girando en marcha lenta.

### ⚠️ ADVERTENCIA:

El cabezal de corte se moverá al ajustar la velocidad de marcha lenta. Use ropa protectora y mantenga a todos los transeúntes, niños y mascotas al menos a 50 pies de distancia. Realice ajustes con la unidad apoyada por la mano para que el cabezal de corte no haga contacto con el suelo o ningún otro objeto. Mantenga todas las partes de su cuerpo lejos del cabezal de corte y del amortiguador. El no seguir estas instrucciones podría producir lesiones personales graves.

Si el motor no anda correctamente en marcha lenta:

1. Arranque el motor.
2. Libere el control de aceleración y permita que el motor funcione en marcha lenta.
- Si el motor se detiene, aumente la velocidad de marcha lenta. Use un pequeño destornillador Phillips para girar el tornillo de marcha lenta hacia la derecha, 1/8 de vuelta a la vez, hasta que el motor pase suavemente a marcha lenta.
- Si el cabezal de corte gira cuando el motor funciona en marcha lenta, reduzca la velocidad en marcha lenta. Gire el tornillo de velocidad en marcha lenta hacia la izquierda, 1/8 de giro a la vez, hasta que el cabezal de corte deje de moverse.

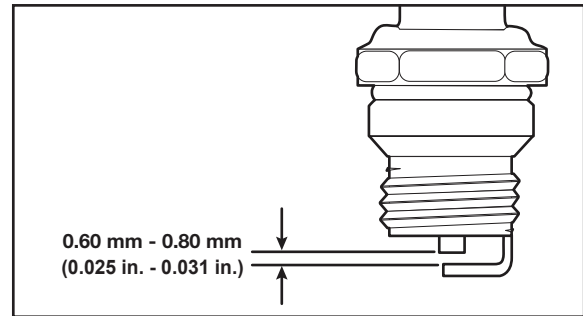
## MANTENIMIENTO DE LA BUJÍA

### ⚠️ PRECAUCIÓN:

No retire la bujía cuando el motor esté caliente.

### ⚠️ PRECAUCIÓN:

No realice un chorro de arena, raspe o limpie los electrodos de la bujía. La arenilla en el motor podría dañar el cilindro.



1. Detenga el motor y deje que se enfríe. Tome la cubierta de la bujía firmemente y tire de la bujía.
2. Limpie alrededor de la bujía. Retire la bujía del cabezal del cilindro con una toma de 5/8 de pulgada, girando hacia la izquierda.  
**NOTA:** Una llave de bujía de 5/8 de pulgada se suministra con esta unidad.
3. Inspeccione la bujía. Si la bujía está agrietada, contaminada o sucia, reemplácela con un repuesto #AM5RC o una bujía equivalente.
4. Utilice un calibrador de espesor para ajustar la brecha de aire a 0.6 mm - 0.8 mm (0.025 pulg. - 0.031 pulg.)
5. Instale la bujía en el cabezal del cilindro. Ajuste la bujía con una toma de 5/8 de pulgada, girándola hacia la derecha hasta que quede firme.  
**NOTA:** Si se utiliza una llave de torque, ajuste el torque a 18 N•m (159 pulg.•lb.). No ajuste demasiado.
6. Vuelva a fijar la cubierta de la bujía.

## REEMPLAZO DE LA CADENA DE SIERRA Y DE LA BARRA DE LA CADENA

### ⚠️ ADVERTENCIA:

Para evitar lesiones personales graves, siempre apague el motor y deje que se enfríe antes de limpiar o mantener la unidad. Nunca lleve a cabo la limpieza o mantenimiento mientras la unidad esté en funcionamiento. Desconecte el alambre de la bujía para evitar que la unidad arranque accidentalmente.

### ⚠️ ADVERTENCIA:

Use ropa protectora y observe todas las instrucciones de seguridad para evitar lesiones personales graves.

Reemplace la cadena cuando los cortadores están demasiado desgastados para afilarse o cuando la cadena se rompa. Consulte INSTALACIÓN DE LA BARRA DE LA CADENA Y LA CADENA. Sólo use la cadena de reemplazo mencionada en este manual. Siempre incluya un nuevo piñón accionador cuando reemplace la cadena. Esto mantendrá al correcto accionamiento de la cadena.

## ALMACENAMIENTO

- Nunca almacene una unidad con combustible donde los vapores puedan alcanzar una llama abierta o chispa.
- Deje que el motor se enfríe antes de guardarla.
- Guarde bajo seguro la unidad para evitar el uso no autorizado o daños.
- Guarde la unidad en un área seca y bien ventilada.
- Guarde la unidad lejos del alcance de los niños.

### Almacenamiento por corto tiempo (1-2 semanas)

Guarde la unidad en posición horizontal. Si no es posible, guarde la unidad en posición vertical con el motor en la parte superior.

### Almacenamiento por largo tiempo

1. Retire el tapón de combustible, incline la unidad y drene el combustible en un recipiente aprobado. Reinstale la tapa del combustible.
2. Arranque el motor y déjelo funcionar hasta que se pare. Esto asegura que todo el combustible haya sido drenado del carburador.
3. Deje que el motor se enfríe. Retire la bujía y coloque 5 gotas de cualquier aceite de motor de alta calidad en el cilindro. Tire de la cuerda de arranque lentamente para distribuir el aceite. Vuelva a instalar la bujía.
4. Limpie a fondo la unidad e inspecciónela para ver que no haya piezas sueltas o dañadas. Repare o reemplace las partes dañadas y ajuste los tornillos, tuercas o pernos sueltos.
5. Guarde la unidad en posición horizontal. Si el almacenamiento horizontal no es posible, almacene la unidad en posición vertical con el motor en la parte superior.

### Preparación de la unidad para su uso luego de un almacenamiento por largo tiempo

1. Retire la bujía. Incline la unidad y drene todo el aceite del cilindro en un recipiente aprobado. Vuelva a instalar la bujía.
2. Cambie el aceite. Consulte Cambio del aceite.

**NOTA:** No utilice combustible que ha sido almacenado por más de 30 días. Deseche el combustible y el aceite antiguos conforme a las regulaciones federales, estatales y locales.

## TRANSPORTE

### PRECAUCIÓN:

Instale la cubierta de la barra guía cuando transporte la máquina para evitar lesiones personales.

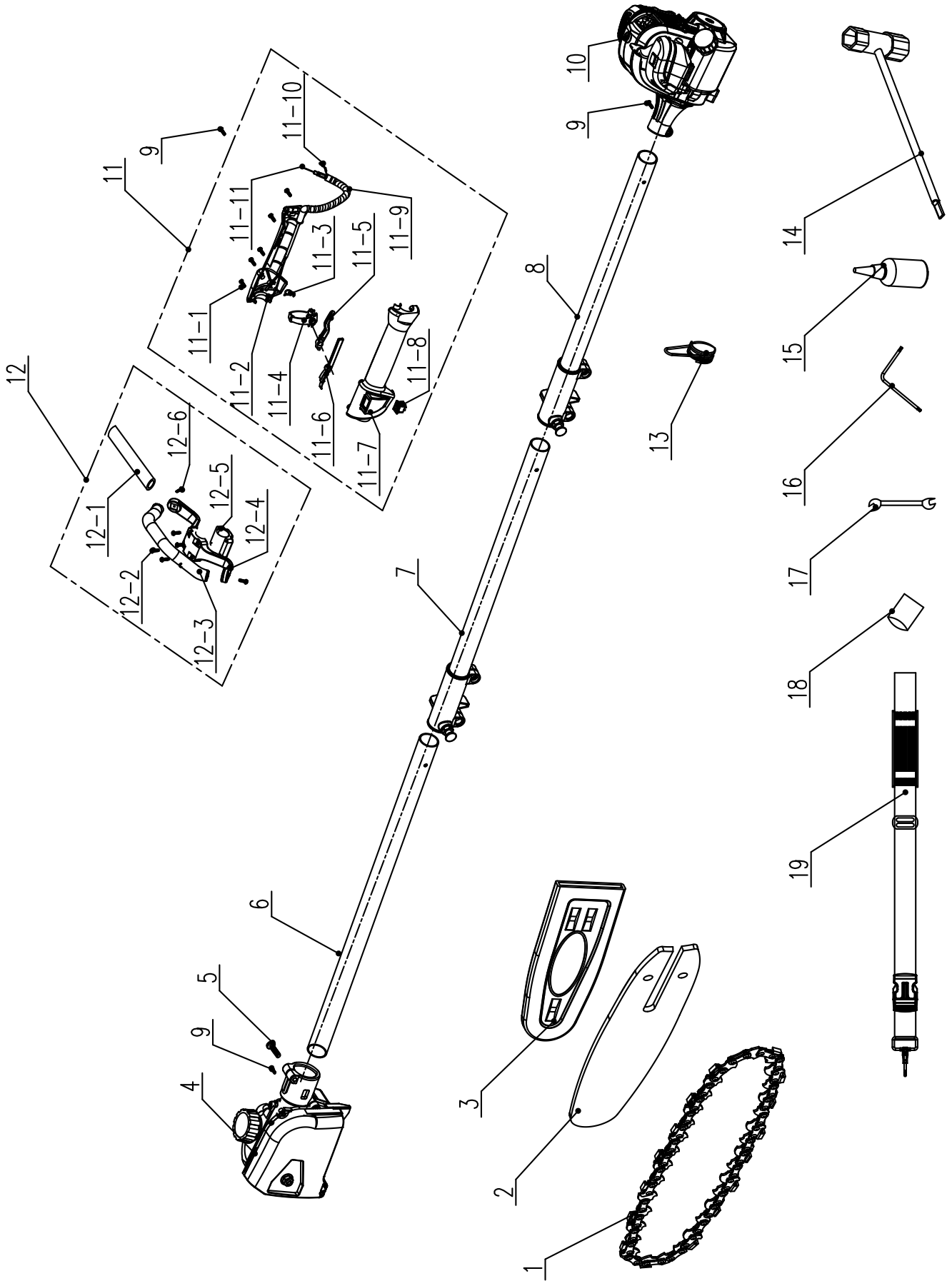
Transporte la unidad en posición horizontal. Si no es posible, transporte la unidad verticalmente con el motor en la parte superior. Asegure la podadora de altura para evitar daños durante el transporte.

## DETECCIÓN Y SOLUCIÓN DE PROBLEMAS

PROBLEMA	SOLUCIÓN
<b>EL MOTOR NO ARRANCA</b>	
El tanque de agua está vacío	Llene el tanque de combustible con combustible fresco
La pera no se presionó lo suficiente	Presione la pera 10 veces
El combustible es antiguo (tiene más de 30 días)	Drene el tanque de combustible y agregue combustible fresco
La bujía está dañada	Reemplace la bujía
<b>EL MOTOR NO FUNCIONA EN MARCHA LENTA</b>	
El filtro de aire está sucio	Limpie o reemplace el filtro de aire
El combustible es antiguo (tiene más de 30 días)	Drene el tanque de combustible y agregue combustible fresco
El tornillo de marcha lenta necesita ajuste	Gire el tornillo de marcha lenta hacia la derecha para aumentar la velocidad de marcha lenta
<b>EL MOTOR EMITE DEMASIADO HUMO</b>	
Exceso de aceite en el cárter	Drene el aceite del motor y rellene con la cantidad correcta de lubricante del motor
<b>EL MOTOR NO ACELERA</b>	
El combustible es antiguo (tiene más de 30 días)	Drene el tanque de combustible y agregue combustible fresco
El cabezal de corte está atascado con césped	Detenga el motor y limpie el cabezal de corte
El filtro de aire está sucio	Limpie o reemplace el filtro de aire
<b>AL MOTOR LE FALTA POTENCIA O SE PARA</b>	
El combustible es antiguo (tiene más de 30 días)	Drene el tanque de combustible y agregue combustible fresco
El filtro de aire está sucio	Limpie o reemplace el filtro de aire
La bujía está dañada	Reemplace la bujía
<b>LA BARRA GUÍA Y LA CADENA DE SIERRA SE ESTÁN CALENTANDO, BOTAN HUMO O ESTÁN ATASCADAS</b>	
La tensión de la cadena de la sierra es demasiada.	Ajuste la tensión de la cadena de la sierra
El tanque de aceite de la cadena está vacío	Rellene el tanque de aceite de la cadena
<b>LA CADENA DE LA SIERRA NO ROTA</b>	
La tensión de la cadena de la sierra es demasiada.	Ajuste la tensión de la cadena de la sierra
La barra guía y la cadena de la sierra se han ensamblado incorrectamente.	Consulte <b>INSTALACIÓN DE LA BARRA DE LA CADENA Y LA CADENA</b>
La barra guía y la cadena de la sierra se han dañado	Inspeccione la barra guía y la cadena de la sierra en busca de daños. Reemplace de ser necesario
El ensamblaje accionador está dañado	Lleve la unidad donde un distribuidor de servicios calificado
<b>LA CADENA DE LA SIERRA ROTA, PERO NO CORTA</b>	
La cadena de la sierra no está afilada	Reemplace la cadena de la sierra o afílela en un distribuidor de servicios autorizado
La cadena de la sierra gira hacia atrás	Verifique y corrija la dirección de la cadena de sierra

Si necesita más asistencia, lleve la unidad donde un distribuidor de servicio calificado.

# PARTES



## LISTA DE PARTES

No.	N.º de parte	Descripción	Cant.
1	243-0197	Motosierra	1
2	243-0393	Barra guía	1
3	9331-T10701-0000130	Cubierta protectora de cadena	1
4	199141000002	Conjunto de cabezales de la sierra de altura	1
5	8SJJD05-25D	Tornillo	1
6	199999001469	Conjunto de eje de transmisión inferior	1
7	199999001468	Conjunto de tubos de extensión	1
8	199999001470	Conjunto de tubos traseros	1
9	8SJJD05-10D	Tornillo	3
10	103001000301	Motor de 26.5 cc	1
11	199004000574	Conjunto de mangos	1
11-1	8SJEB40-14D	Tornillo	5
11-2	202024002294	Mango derecho	1
11-3	8342-902101-0000000	Muelle de retorno	1
11-4	202999001676	Círculo de control	1
11-5	202004000882	Gatillo del acelerador	1
11-6	202042000206	Palanca de control	1
11-7	202024002295	Mango izquierdo	1
11-8	207180200023	Interruptor	1
11-9	235-2001	Cubierta de cables	0.2
11-10	199999001317	Cable de detención	1
11-11	199081000107	Conjunto de cables	1
12	199004000573	Conjunto de mangos	1
12-1	299009000010	Vaina del mango	1
12-2	8SJJB50-25D	Tornillo	4
12-3	202024002293	Mango delantero	1
12-4	202031000615	Soporte del mango	1
12-5	202029000219	Placa de presión	1
12-6	8SJJB50-20D	Tornillo	2
16	8261-902101-0000000	Bar Nut Wrench (en inglés)	1
13	201024000010	Gancho para arnés	1
14	207179900029	Llave de bujía	1
15	202999001666	Botella plástica	1
17	207170600006	Hex Wrench (en inglés)	1
18	202023000077	Llave de paso	2
19	208008000051	Arnés	1

## GARANTÍA

### GARANTÍA LIMITADA DE TRES AÑOS

Garantía limitada de 3 años para todos los equipos a gasolina de la serie Senix 4QL.

DURANTE TRES AÑOS a partir de la fecha original de compra, este producto Senix está garantizado contra defectos de materiales o mano de obra en herramientas alimentadas. Los productos defectuosos serán reparados de modo gratuito.\* Esta garantía no cubre el desgaste normal de piezas y componentes tales como, la sierra de corte, línea o cuchillas, ni cubre el costo de transporte bajo garantía o servicio.

La garantía está sujeta a las condiciones siguientes:

- La garantía es aplicable al comprador original al por menor y no es transferible\*
- Registre la garantía en [www.senixtools.com](http://www.senixtools.com)
- La herramienta no ha sido mal utilizada, maltratada, descuidada, alterada, modificada o reparada por nadie que no sea un centro de servicio autorizado.
- Solo se han utilizado accesorios originales Senix con este producto o en el mismo.
- La herramienta ha sufrido un desgaste normal.
- La herramienta no se ha utilizado con fines comerciales o profesionales.
- La herramienta no se ha utilizado con fines comerciales o profesionales.
- Esta garantía solo cubre defectos que aparecen durante el uso normal y no cubre ningún mal funcionamiento, falla o defecto resultante de un mal uso, abuso (incluyendo sobrecarga del producto, exposición al agua o lluvia) accidentes, negligencia o falta de instalación adecuada y mantenimiento o almacenamiento incorrectos.

Cambie la frase destacada por: dirija sus preguntas sobre la garantía o el servicio a [service@senixtools.com](mailto:service@senixtools.com) o llame al número gratuito al 1-800-261-3981

### Limitaciones adicionales

Cualquier garantía implícita otorgada bajo la ley estatal, incluidas las garantías de comerciabilidad o idoneidad para un propósito particular, está limitada a tres años desde la fecha de compra en herramientas eléctricas y cargadores y siete años en baterías. El fabricante no es responsable por daños directos, indirectos, incidentales o consecuentes. Algunos estados y provincias no permiten limitaciones sobre la duración de una garantía implícita y/o no permiten la exclusión o limitación de daños incidentales, por lo que es posible que las limitaciones y exclusiones anteriores no sean aplicables en su caso. Esta garantía le proporciona derechos legales específicos sin perjuicio de otros derechos que les sea aplicables, los cuales varían entre estados o provincias.

YAT USA declina toda responsabilidad con respecto a la responsabilidad civil derivada de un uso abusivo o que no esté en conformidad con el uso y el mantenimiento adecuados de la herramienta según se describe en el manual del operador.

YAT USA no es responsable por daños directos, indirectos, incidentales o consecuentes.

Después de la compra, el fabricante recomienda el mantenimiento adecuado de la herramienta y leer el manual del operador antes de usarla.

\*El recibo original de compra puede ser requerido como prueba de compra

Para obtener servicio al cliente, llame al número de teléfono gratuito 1-800-261-3981 o entre a [Senixtools.com](http://Senixtools.com).

YAT USA, Inc. 6441 Hendry Road, Suite A, Charlotte, NC 28269

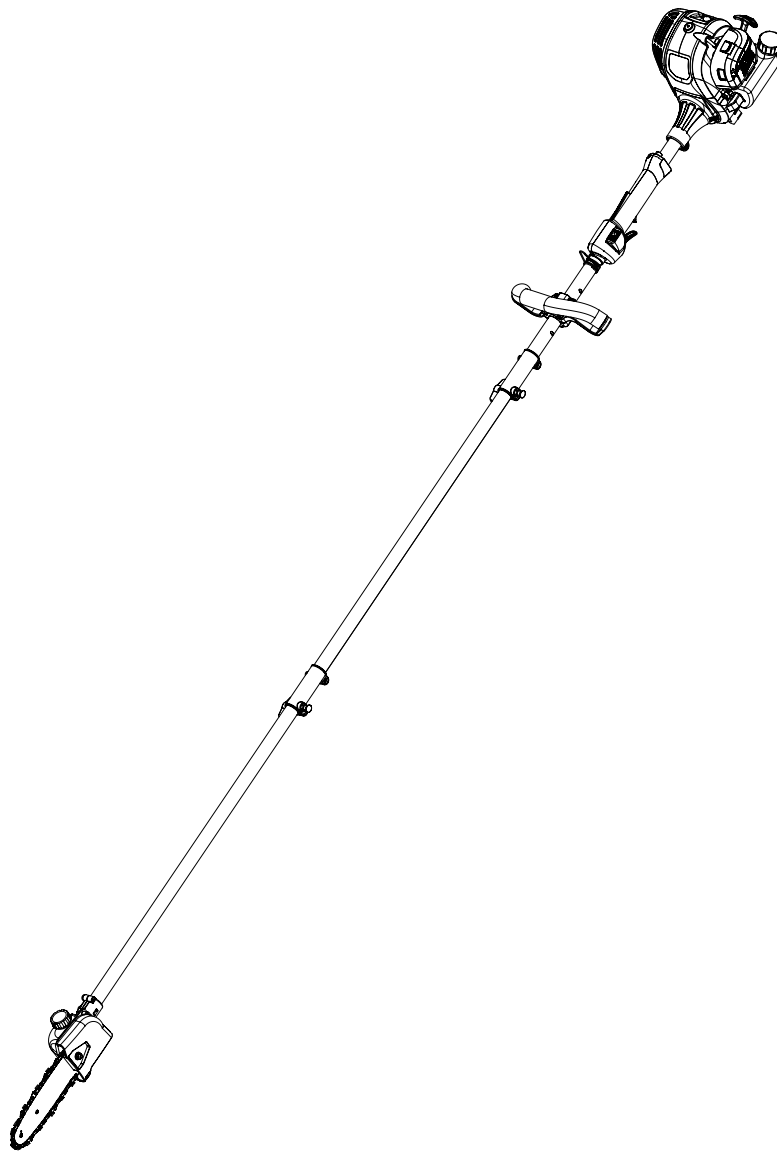




---

# Moteur à 4 temps 1.62 pouces cubiques (26,5 cc) Élagueuse sur perche à essence

Manuel d'instructions  
Modèle : CSP4QL-L



Pour joindre l'assistance aux consommateurs, veuillez appeler au 1-800-261-3981 ou envoyez un e-mail à :  
[Service@senixtools.com](mailto:Service@senixtools.com)

CONSERVEZ CE MANUEL POUR TOUTE CONSULTATION ULTÉRIEURE.

## • SYMBOLES INTERNATIONAUX DE SÉCURITÉ •

Ce manuel d'instructions décrit les symboles et pictogrammes de sécurité et internationaux susceptibles d'apparaître sur ce produit.

Lisez le manuel d'instructions pour obtenir des informations complètes sur la sécurité, le montage, l'utilisation, l'entretien et les réparations.



Pour réduire le risque de blessures, utilisateur doit lire la notice d'utilisation.



Les objets éjectés et le bruit peuvent causer de graves blessures aux yeux et une perte de l'audition. Portez des lunettes de protection conformes aux normes ANSI Z87.1 actuelles et des protections pour les oreilles lorsque vous utilisez cet appareil. Portez une protection pour les yeux lorsque vous utilisez cet outil. Les objets qui tombent peuvent provoquer de graves blessures sur la tête. Utilisez un écran facial complet en cas de besoin.



Portez des gants de protection.



Portez des chaussures de protection antidérapantes.



Si vous ne tenez pas vos mains éloignées de la lame, vous risquez de graves blessures.



Prenez garde à ne pas couper les câbles électriques; utilisez l'appareil par temps sec



N'exposez pas l'appareil à la pluie.



**DANGER !**  
Risque d'électrocution !



Indique un danger, un avertissement ou une mise en garde.  
Précautions qui impliquent votre sécurité.



La chaîne doit être continuellement lubrifiée d'huile pour fonctionner correctement. Vérifiez le niveau d'huile avant chaque utilisation.



Évitez tout contact de l'extrémité du guide-chaîne avec un objet.



Si l'extrémité est mise en contact avec un objet, le guide-chaîne peut être projeté brutalement vers le haut et vers l'arrière, et risque de blesser gravement l'utilisateur.



Utilisez toujours vos deux mains pour maintenir l'élagueuse sur perche.



**N'UTILISEZ PAS DE CARBURANT E85 or E15 DANS CE PRODUIT**

**ATTENTION :** Il a été prouvé qu'un carburant contenant plus de 10% d'éthanol peut endommager ce moteur et annuler la garantie.



Utilisez toujours du carburant sans plomb propre et frais. Reportez-vous au manuel d'instructions pour le type d'huile approprié.



Surface chaude Ne touchez pas le silencieux ou le cylindre lorsqu'ils sont chauds. Vous pourriez vous brûler. Ces pièces deviennent extrêmement chaudes lors du fonctionnement. Elles restent chaudes pendant une courte période après l'arrêt de l'appareil.

**72dB(A)**  
MEASURED AT 50FT. (15M)  
PER ANSI S12.3

Niveau de pression acoustique mesuré :  
72 dB(A)



Des objets projetés peuvent ricocher et entraîner des blessures corporelles et / ou des dégâts matériels !



Assurez-vous que toutes les personnes restent à une distance d'au moins 50 pieds (15 m).

## TABLE DES MATIÈRES

SÉCURITÉ.....	45
DESCRIPTION DE L'APPAREIL.....	49
SPÉCIFICATIONS* .....	49
ASSEMBLAGE.....	50
FONCTIONNEMENT.....	53
ENTRETIEN.....	54
GUIDE DE DÉPANNAGE.....	59
PIÈCES.....	60
LISTE DES PIÈCES.....	61
GARANTIE.....	63

## SÉCURITÉ



### DANGER :

Signale un danger EXTRÊME. Le non-respect du symbole de sécurité "DANGER" entraînera des blessures graves ou la mort pour vous-même ou pour autrui.



### AVERTISSEMENT :

Le pétrole brut, l'essence, le carburant diesel et d'autres produits pétroliers peuvent vous exposer à des produits chimiques, dont le toluène et le benzène, qui sont connus de l'État de Californie pour causer le cancer et des malformations congénitales. Ces expositions peuvent se produire dans et autour des champs de pétrole, des raffineries, des usines chimiques, des installations de transport et de stockage telles que les pipelines, les terminaux maritimes, les camions-citernes et autres installations et équipements. Pour plus d'informations, veuillez consulter : [www.P65Warnings.ca.gov/petroleum](http://www.P65Warnings.ca.gov/petroleum).



### AVERTISSEMENT :

Signale un risque GRAVE. Le non-respect du symbole de sécurité "AVERTISSEMENT" PEUT entraîner des blessures graves sur vous-même ou sur autrui.



### ATTENTION :

Signale un risque MODÉRÉ. Le non-respect du symbole de sécurité "ATTENTION" PEUT entraîner des dommages matériels ou des blessures sur vous-même ou sur autrui.

REMARQUE : Les informations et les instructions sont essentielles pour savoir comment utiliser ou entretenir l'équipement.



### AVERTISSEMENT :

#### PROPOSITION DE LA CALIFORNIE 65

Ce produit contient des produits chimiques reconnus par l'État de Californie pouvant causer des cancers, des anomalies congénitales ou pouvant nuire à la reproduction.

**Lisez le manuel d'instructions et respectez tous les avertissements et les consignes de sécurité ! Le non-respect de ces instructions peut entraîner des blessures graves sur l'opérateur et / ou sur les personnes présentes.**

## AVERTISSEMENTS DE SÉCURITÉ

1. Les précautions de sécurité appropriées doivent être observées. Comme tout équipement électrique, cet appareil doit être manipulé avec soin. **NE VOUS EXPOSEZ PAS VOUS-MÊME OU D'AUTRES PERSONNES AU DANGER.** Suivez ces règles générales. Ne laissez pas d'autres personnes utiliser cet appareil, à moins qu'elles ne soient pleinement responsables, qu'elles aient lu et compris le manuel de l'élagueuse sur perche et qu'elles soient formées à son fonctionnement.
2. Pour votre sécurité, portez toujours des lunettes de sécurité. Portez une tenue adaptée. Ne portez pas de vêtements amples, ni de bijoux, car ils risquent d'être entraînés dans les pièces mobiles. Portez toujours des chaussures sûres, solides et antidérapantes. Portez toujours des pantalons longs et épais, des bottes, des gants et une chemise à manches longues. Ne portez pas de vêtements amples, de bijoux, de pantalons courts, de sandales et ne travaillez pas pieds nus. Attachez vos cheveux pour qu'ils soient au-dessus des épaules. Les cheveux longs doivent être attachés. Il est recommandé de vous couvrir les jambes et les pieds afin de les protéger des débris volants en cours de fonctionnement.
3. Inspectez l'ensemble de l'appareil pour rechercher des pièces desserrées (écrous, boulons, vis, etc.) et tout dommage avant de commencer et d'utiliser l'appareil. Réparez ou remplacez les pièces endommagées, si nécessaire, avant d'utiliser l'appareil.
4. La modification de votre élagueuse sur perche ou l'installation d'accessoires non fournis par Senix peut rendre votre appareil dangereux. Les accessoires non fournis par Senix sont généralement conçus pour des applications universelles. Même si d'autres accessoires du marché peuvent tenir sur votre élagueuse sur perche, ils peuvent ne pas respecter les spécifications d'usine et peuvent rendre votre appareil dangereux. Ne retirez pas la protection de la tête de coupe et ne modifiez pas votre élagueuse sur perche de manière à en altérer la conception ou le fonctionnement. Cela pourrait rendre votre élagueuse sur perche dangereuse. Vous risqueriez de vous blesser gravement ou de blesser d'autres personnes, ou d'endommager l'appareil.
5. Veillez à ce que les poignées restent exemptes d'huile et de graisse.
6. N'utilisez pas l'appareil sous des conditions d'éclairage insuffisantes.
7. N'utilisez pas cet appareil si vous êtes fatigué(e), quand votre concentration est altérée ou que vous êtes sous l'influence d'alcool, de drogues ou de médicaments.
8. Utilisez toujours les poignées appropriées lors de la coupe.

9. Ne fumez pas lors du remplissage du réservoir.
10. Ne remplissez pas de carburant dans une pièce fermée ou à proximité de flammes nues. Assurez une ventilation adéquate.
11. Conservez toujours le carburant dans un récipient correctement identifié et approuvé par les ordonnances et les codes locaux.
12. Ne débouchez jamais le réservoir de carburant tant que le moteur est en marche.
13. Ne démarrez jamais et ne faites jamais fonctionner le produit dans une pièce ou un bâtiment fermé. Les vapeurs d'échappement contiennent du monoxyde de carbone dangereux.
14. N'essayez jamais de régler le moteur tant que le moteur tourne. Effectuez toujours les réglages du moteur lorsque l'unité repose sur une surface plane et non obstruée.
15. N'utilisez pas l'appareil s'il est endommagé ou mal ajusté. Ne retirez jamais le carter de protection de l'unité. Vous risqueriez de vous blesser gravement ou de blesser d'autres personnes, ou d'endommager l'appareil.
16. Inspectez la zone à couper et enlevez tous les débris susceptibles de se coincer dans la tête de coupe en nylon. Retirez également tous les objets que l'unité pourrait projeter pendant la coupe.
17. Veillez à ce que les enfants restent à distance. Les spectateurs doivent être tenus à une distance de sécurité de la zone de travail, à au moins 50 PIEDS (15 METRES).
18. Ne laissez jamais l'appareil sans surveillance lorsque le moteur tourne.
19. Toute autre utilisation pourrait blesser l'utilisateur ou endommager l'appareil et d'autres biens.
20. Ne vous penchez pas au-dessus de l'appareil. Restez toujours d'aplomb et gardez constamment un bon équilibre. N'utilisez pas l'appareil en vous tenant debout sur une échelle ou sur tout autre objet où vous pourriez être instable.
21. SUIVEZ LES INSTRUCTIONS d'assemblage et d'utilisation.
22. Ne rangez pas l'appareil dans un endroit fermé où les vapeurs de carburant peuvent atteindre une flamme nue provenant d'un chauffe-eau, d'une chaudière, etc. Conservez-le uniquement dans un endroit verrouillé et bien ventilé.
23. Assurez-vous que votre appareil fonctionne correctement et en toute sécurité. Utilisez exclusivement les accessoires originaux. L'utilisation de pièces ou d'accessoires non autorisés pourrait entraîner des blessures graves sur l'utilisateur ou endommager l'appareil et annuler la garantie.
24. Si vous prévoyez de ne pas utiliser l'appareil pendant une longue période, nettoyez-le complètement, en particulier le réservoir de carburant / huile, les pièces environnantes et le filtre à air.
25. Assurez-vous d'arrêter le moteur et de le laisser refroidir avant de remplir à nouveau le réservoir. Ne versez jamais de carburant dans le réservoir lorsque le moteur est en marche ou chaud. En cas de débordement d'essence, assurez-vous de bien l'essuyer et d'éliminer ces substances avant de démarrer le moteur.
26. Restez éloigné(e) des autres travailleurs ou des passants d'au moins 15 mètres / 50 pieds et éteignez l'appareil si quelqu'un s'approche. Veillez à ne pas surprendre ou distraire l'utilisateur, car cela pourrait créer une situation dangereuse.
27. Le moteur doit être éteint lorsque l'unité est déplacée entre les zones de travail.
28. Prenez garde à ce que des pièces ne se desserrent pas et ne surchauffent pas. En cas d'anomalie, arrêtez immédiatement le fonctionnement de l'appareil et vérifiez soigneusement l'appareil.
29. Si nécessaire, faites réparer l'appareil par le service d'assistance à la clientèle. Ne continuez jamais à faire fonctionner l'appareil si une anomalie se produit.
30. Au démarrage ou pendant le fonctionnement du moteur, ne touchez jamais des pièces chaudes telles que le silencieux, le fil haute tension ou la bougie.
31. Une fois le moteur arrêté, le silencieux reste encore chaud. Ne placez jamais l'appareil dans des endroits où il y a des matières inflammables (herbe sèche, etc.), des gaz ou des liquides combustibles.
32. Prenez des précautions particulières si vous faites fonctionner l'appareil sous la pluie ou juste après, car le sol peut être glissant.
33. Si vous glissez ou tombez au sol, relâchez immédiatement le levier d'alimentation.
34. Veillez à ne pas laisser tomber l'unité ou à la frapper contre des obstacles.
35. Avant de procéder à un réglage ou à une réparation sur l'unité, assurez-vous d'arrêter le moteur et de détacher la bougie.
36. Lorsque l'unité est entreposée pour une longue période, vidangez le carburant / l'huile du réservoir de carburant / d'huile et du carburateur, nettoyez les pièces et placez la machine dans un endroit sûr.
37. Procédez à des inspections périodiques pour assurer un fonctionnement sûr et efficace.
38. Gardez l'appareil éloigné du feu et des étincelles.
39. Gardez votre corps échauffé, en particulier la tête, le cou, les pieds, les chevilles, les mains et les poignets.
40. Maintenez une bonne circulation sanguine en effectuant des mouvements vigoureux des bras pendant les pauses fréquentes et en évitant de fumer.
41. Limitez les heures d'utilisation.
42. Si vous ressentez une gêne, une rougeur et un gonflement des doigts, suivis d'un blanchiment et d'une perte de sensibilité, consultez votre médecin avant de vous exposer davantage au froid et aux vibrations.
43. Portez toujours une protection auditive. Les bruits forts pendant de longues périodes peuvent entraîner une perte auditive, voire une surdité permanente.
44. Portez des gants de travail résistants et antidérapants pour améliorer votre préhension sur la poignée. Les gants réduisent également la transmission des vibrations de l'appareil à vos mains.
45. Ne posez pas l'appareil sur le côté; sinon le carburant pourrait s'écouler.
46. L'évaporation du carburant pendant le ravitaillement et les gaz d'échappement sont nocifs pour l'opérateur et les personnes présentes autour de l'appareil.
47. Assurez-vous que l'évaporation du carburant et les gaz d'échappement ne s'écouleront pas sur vous et éloignez les autres personnes de votre zone de travail.
48. Ne laissez pas des enfants ou des personnes non entraînées utiliser cet appareil.

## RISQUES RÉSIDUELS



### AVERTISSEMENT :

Il est impossible d'éliminer tous les facteurs de risques résiduels, même si les instructions d'utilisation de l'unité sont respectées. Les dangers suivants peuvent exister du fait de la fabrication et de la conception de l'outil :

- Lésions touchant les poumons si aucun masque anti-poussières efficace n'est porté.
- Perte d'acuité auditive si aucune protection auditive efficace n'est portée.
- Des problèmes de santé dus aux émissions vibratoires si l'outil est utilisé pendant une durée trop longue ou s'il n'est pas correctement utilisé et entretenu.



### AVERTISSEMENT :

Cet outil génère un champ électromagnétique quand il est en fonctionnement. Dans certaines circonstances, ce champ magnétique peut interférer avec les implants médicaux actifs ou passifs! Pour réduire le risque de blessure grave ou mortelle, nous recommandons aux personnes portant des implants médicaux de consulter leur médecin et le fabricant de l'implant médical avant d'utiliser cet appareil.



### AVERTISSEMENT :

Inspectez le produit avant chaque utilisation. Remplacez les pièces endommagées. Vérifiez s'il n'y a pas de fuite de carburant. Vérifiez que toutes les attaches sont en place et sécurisées. Remplacez les pièces fissurées, ébréchées ou endommagées de quelque façon que ce soit. Vérifiez que l'accessoire de coupe est correctement installé et solidement fixé.



### AVERTISSEMENT :

Ne démarrez et ne faites jamais fonctionner l'appareil dans une pièce ou un bâtiment fermé; respirer du monoxyde de carbone provenant des gaz d'échappement peut tuer.



### AVERTISSEMENT :

Versez le carburant à l'extérieur, là où il n'y a pas d'étincelles ni de flammes. Ne retirez lentement le bouchon du réservoir qu'après avoir arrêté le moteur. Ne fumez pas pendant le remplissage ou le mélange du carburant. Essuyez le carburant déversé sur l'appareil. Eloignez-vous d'au moins 10 pieds (3 m) de la source d'alimentation et du lieu de mélange et remplissage avant de démarrer le moteur.

## RÈGLES SPÉCIFIQUES DE SÉCURITÉ POUR L'UTILISATION DE L'ELAGUEUSE SUR PERCHE



### AVERTISSEMENT :

N'utilisez pas ce produit à proximité de câbles électriques aériens. La conception de cet appareil n'intègre pas de dispositif de protection contre les

chocs électriques en cas de contact avec les câbles à haute tension. Consultez les réglementations locales pour les distances de sécurité par rapport aux lignes électriques aériennes et assurez-vous que la position de fonctionnement est sûre et sécurisée avant d'utiliser l'élagueuse sur perche.

1. Portez un équipement de protection sur la tête et pour les yeux ainsi qu'un équipement de protection individuelle (EPI), y compris des vêtements adaptés.
2. Gardez les passants, en particulier les enfants, à une distance sécuritaire pendant le fonctionnement de l'élagueuse sur perche.
3. Veillez à ce qu'aucune partie du corps ne s'approche de la chaîne de l'outil. N'enlevez pas les débris de coupe et ne tenez pas le matériau à couper quand les lames sont en mouvement. Éteignez l'appareil et mettez l'interrupteur à l'arrêt avant de débloquer la lame. La chaîne reste en rotation après l'arrêt de l'outil. Un simple moment d'inattention lors de l'utilisation de l'élagueuse sur perche peut entraîner de graves blessures corporelles.
4. Attendez l'arrêt complet de l'élagueuse sur perche avant de transporter l'appareil; tenez-le toujours par sa poignée. Remettez toujours le fourreau du guide-chaîne avant de transporter ou de ranger l'élagueuse sur perche. Une manipulation correcte de l'élagueuse sur perche permet de réduire les risques de blessures corporelles avec la chaîne.
5. Tenez toujours l'élagueuse sur perche par ses poignées isolantes : la chaîne peut à tout moment entrer en contact avec un fil électrique caché. Si la chaîne entre en contact avec un câble électrique "sous tension", les parties métalliques non carénées de l'outil peuvent se retrouver sous tension et l'opérateur risque d'être électrocuté.
6. Veillez à ce que le câble reste à l'écart de la zone de coupe. Durant le fonctionnement, le câble peut être caché dans les arbustes et peut être accidentellement coupé par la chaîne.
7. N'utilisez jamais l'élagueuse sur perche lors de mauvaises conditions météorologiques, notamment s'il y a un risque de foudre. Cela pourrait augmenter le risque d'être frappé par la foudre.
8. Afin de réduire tout risque d'électrocution, n'utilisez jamais l'outil près de câbles électriques.
9. Le contact ou l'utilisation de l'outil à proximité de lignes électriques peut provoquer des blessures graves ou des chocs électriques pouvant entraîner la mort.
10. Utilisez toujours vos deux mains pour maintenir l'élagueuse sur perche. Maintenez l'élagueuse sur perche avec les deux mains pour éviter la perte de contrôle.
11. Utilisez toujours une protection sur la tête lorsque vous utilisez l'élagueuse sur perche. La chute de débris peut entraîner des blessures graves.

## AVERTISSEMENTS DE SÉCURITÉ COMPLÉMENTAIRES CONCERNANT L'UTILISATION

- Déconnectez toujours le fil de la bougie avant de procéder à un assemblage, un réglage ou au nettoyage, et avant de laisser l'outil sans surveillance pendant une période quelconque.



- Utilisez toujours le harnais pour porter le poids de l'outil sur l'épaule. Si vous utilisez le harnais autour de votre corps, apprenez comment utiliser le système de libération rapide du harnais et gardez-le devant votre corps.
- Il est recommandé que l'utilisateur inexpérimenté reçoive des instructions pratiques sur l'utilisation de la scie et de l'équipement de protection d'un opérateur expérimenté.
- Cet appareil n'est pas prévu pour être utilisé par des personnes (y compris les enfants) dont les capacités physiques, sensorielles ou mentales sont réduites ou des personnes manquant d'expérience ou de connaissance, sauf si elles ont pu bénéficier, par l'intermédiaire d'une personne responsable de leur sécurité, d'une surveillance ou d'instructions préalables concernant l'utilisation de l'appareil.
- Les enfants et les jeunes, à l'exception des apprentis âgés de plus de 16 ans et sous surveillance, ne doivent pas utiliser le produit. Il en va de même pour les personnes qui ne savent pas ou ne savent pas suffisamment comment manipuler l'appareil.
- Les instructions d'utilisation doivent toujours être gardées à portée de main. Les personnes inaptes ou fatiguées ne doivent pas utiliser cet outil.
- Attendez que la chaîne soit complètement arrêtée avant de poser l'appareil au sol.
- Toute réparation doit être effectuée par un technicien d'entretien agréé.

## CONSERVEZ CES INSTRUCTIONS RÉDUIRE LES RISQUES DE REBONDS

Un rebond peut se produire quand la pointe ou l'extrémité du guide-chaîne touche un objet, ou quand le bois emprisonne la chaîne au niveau de la ligne de coupe. Si l'extrémité de l'appareil entre en contact avec un objet, il peut dans certains cas se produire une réaction brutale qui projette le guide-chaîne vers le haut et vers l'utilisateur.

### AVERTISSEMENT :

Le risque de rebond est plus grand lorsque vous tentez de couper à proximité ou avec la pointe du guide-chaîne. Appliquez toujours la scie la plus plate possible afin d'éviter toute perte de contrôle pendant le fonctionnement.

Si la chaîne est pincée contre le bord supérieur du guide, celui-ci peut être projeté brutalement vers l'opérateur. Chacune de ces réactions peut vous faire perdre le contrôle de l'outil et provoquer de graves blessures corporelles. Ne vous reposez pas exclusivement sur les dispositifs de sécurité dont est munie votre machine. Le rebond est le résultat d'une mauvaise utilisation de l'outil et / ou de procédures d'utilisation incorrectes. Ces conditions peuvent être minimisées en suivant les étapes suivantes :

1. Utilisez une prise ferme avec le pouce et les doigts encerclant les poignées de l'élagueuse. Tenez fermement l'outil avec les deux mains et positionnez votre corps et vos bras de façon à pouvoir résister à la force d'un éventuel rebond.
2. Ne tentez pas d'atteindre une zone difficile d'accès et préparez une zone de travail appropriée non obstruée.

3. Utilisez uniquement les guides et chaînes spécifiés par Senix. Remplacez les lames émoussées si nécessaire.
4. Ne laissez l'extrémité du guide-chaîne entrer en contact avec aucune surface.
5. Gardez toujours une tension appropriée sur la lame. Vérifiez la tension à intervalles réguliers.
6. Les coupes ne doivent avoir lieu que lorsque la chaîne se déplace à pleine vitesse. Ne mettez pas en marche et n'éteignez pas l'outil au milieu d'une coupe. Soyez extrêmement prudent quand vous entrez à nouveau la scie dans une ligne de coupe antérieure.
7. Coupez une branche à la fois. N'essayez pas de faire des coupes en plongée ou en creux. Surveillez le déplacement des bûches ou d'autres forces externes qui pourraient bloquer une coupe ou pincer la chaîne.
8. Faites une prédécoupe sur le côté opposé de la bûche pour éviter que la lame ne se pince pendant le fonctionnement, ce qui constitue une autre protection contre le risque de rebond.

## TECHNIQUES DE SCIAGE

### AVERTISSEMENT :

Pour couper les branches, maintenez l'élagueuse sur un angle de 0 à 60° afin d'éviter d'être heurté par une branche qui tombe. La scie ne doit jamais être utilisée directement au-dessus de votre tête.

- Sciez les branches inférieures de l'arbre d'abord. Ce faisant, il est plus facile pour les branches coupées de tomber au sol.
- A la fin de la coupe, le poids de la scie augmente soudainement pour l'utilisateur puisqu'il n'est plus supporté par une branche. Il y a alors un risque de perte le contrôle de l'élagueuse; assurez-vous de rester vigilant pendant toute l'opération de sciage.
- Ne sortez la scie d'une coupe que lorsque la scie fonctionne. De cette façon, vous évitez que la chaîne ne se coince dans le bois.
- Ne sciez jamais avec l'extrémité du guide-chaîne. Ne sciez pas dans les formations de branche (où les branches de l'arbre se ramifient vers l'extérieur). Cela empêcherait la capacité de l'arbre à repousser. Pour scier les petites branches, placez la face d'arrêt de la scie sur la branche. Cela empêchera les mouvements indésirables de la scie au début de la coupe. Tout en appliquant une légère pression, guidez la scie à travers la branche de haut en bas.
- Pour scier les grosses branches, faites d'abord une coupe en relief. Sciez à travers 1/3 du diamètre de la branche du bas vers le haut en utilisant le côté supérieur du guide-chaîne. Puis, sciez de haut en bas pour les autres 2/3 en utilisant le côté inférieur du guide-chaîne.
- Sciez les branches plus longues en portions afin de garder le contrôle de l'emplacement de l'impact.
- Lorsque vous travaillez sur une pente, placez-vous toujours au-dessus ou sur le côté de la branche à scier. Maintenez l'outil à une distance suffisante de votre corps. De cette façon, vous maximiserez votre équilibre.

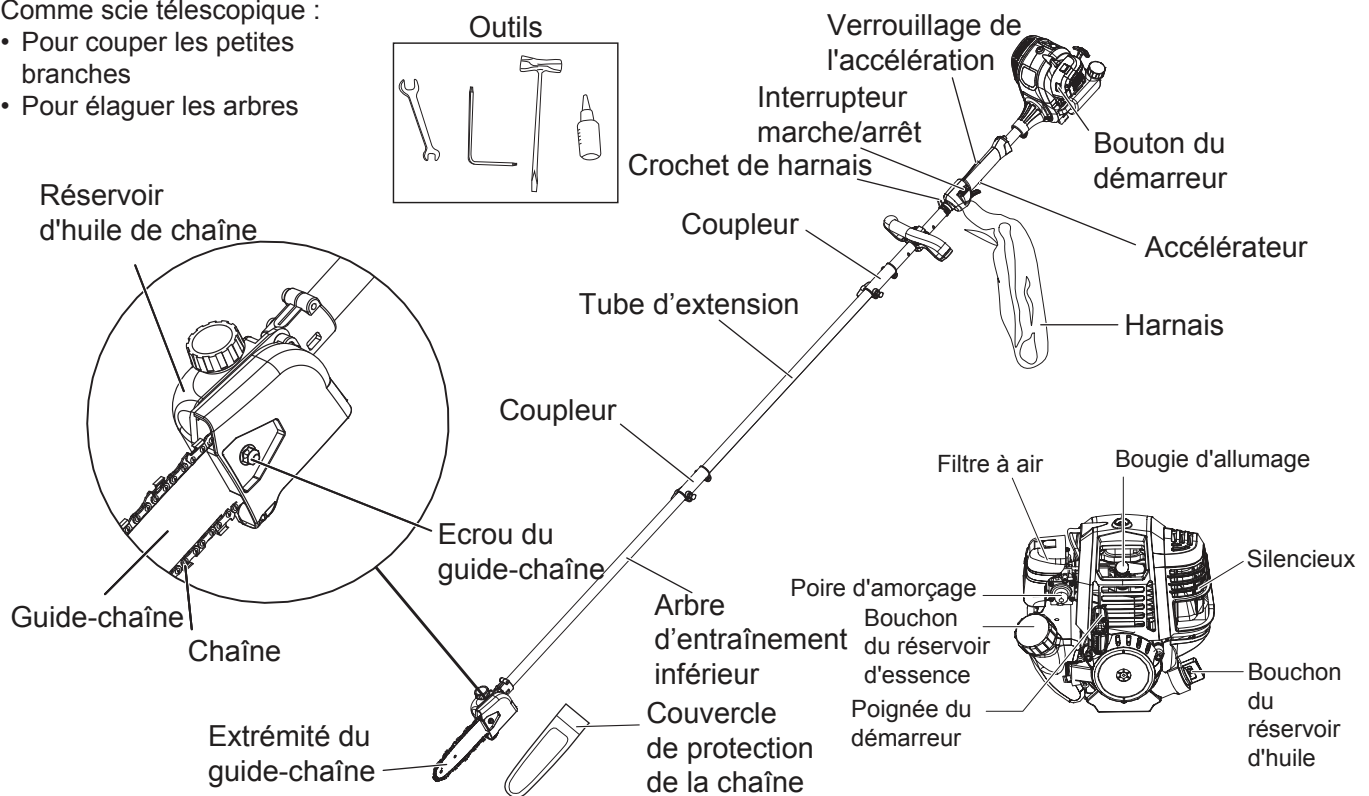


## DESCRIPTION DE VOTRE APPAREIL

### APPLICATIONS

Comme scie télescopique :

- Pour couper les petites branches
- Pour élaguer les arbres



### SPÉCIFICATIONS\*

Type de moteur.....	Refroidi à l'air, 4 temps
Déplacement.....	1,62 pouces cubiques (26,5 cc)
Espace entre les bougies .....	0,025 pouces - 0,031 pouces (0,6 - 0,8 mm)
Lubrification.....	SAE 10W-30
Capacité de lubrification du carter.....	2,01 oz. (60 ml)
Capacité du réservoir de carburant .....	4,02 oz. (120 ml)
Capacité du réservoir de carburant .....	9,46 oz. (280 ml)
Vitesse de la chaîne.....	59 pieds / seconde (18 m / s)
Harnais simple d'épaule .....	Oui
Type de poignée.....	Poignée D
Type d'arbre .....	Flexible
Guide-chaîne.....	8 pouces AM08-33-507P
Scie à chaîne.....	8 pouces 3/8.050x33DL
Longueur totale (avec tube d'extension, chaîne et guide-chaîne).....	105,5 pouces (2680 mm)
Longueur du tube d'extension.....	30,7 pouces (780 mm)
Matériau du tube .....	Aluminium
Dimensions.....	105,5 x 13 x 8,7 pouces (2680 x 330 x 220 mm)
Poids (entièrement assemblé, sans carburant ni huile).....	12,57 livres. (5,7 kg)

\* Toutes les spécifications sont basées sur les dernières informations disponibles sur le produit au moment de l'impression. Nous nous réservons le droit d'apporter des modifications à tout moment sans préavis.

## ASSEMBLAGE

Ce produit doit être assemblé. Retirez délicatement le produit et tous les accessoires hors de l'emballage. Assurez-vous que toutes les pièces énumérées dans la liste de l'emballage sont incluses. Inspectez soigneusement le produit pour vous assurer qu'il n'y a pas eu de cassure ou de dommage pendant le transport.

Ne jetez pas les matériaux d'emballage avant d'avoir soigneusement inspecté et utilisé le produit de manière satisfaisante. Si des pièces sont endommagées ou manquantes, veuillez appeler le centre d'assistance à la clientèle 1-800-261-3981.



### AVERTISSEMENT :

N'utilisez pas ce produit si des pièces de la liste d'emballage sont déjà assemblées à votre produit lorsque vous le déballez. Les pièces de cette liste ne sont pas assemblées au produit par le fabricant et nécessitent un assemblage par le consommateur. L'utilisation d'un produit dont les pièces sont endommagées ou manquantes pourrait provoquer de graves dommages corporels.

### PIÈCES INCLUSES

Quantité	Élément
1	Manuel d'instructions
1	Poignée et matériel de montage
1	Couvercle de protection de la chaîne
1	Clé à bougie
1	Clé à écrou
1	Clé à six pans
1	Bouteille de 60 ml
1	Harnais



### AVERTISSEMENT :

Pour éviter un démarrage accidentel qui pourrait causer des blessures graves, débranchez toujours le fil de la bougie du moteur lors de l'assemblage des pièces.



### AVERTISSEMENT :

N'installez, ne retirez et ne réglez jamais aucun accessoire lorsque la tête motrice est en marche. Ne pas arrêter le moteur peut causer des blessures graves.



### AVERTISSEMENT :

Tâchez d'éviter qu'une bonne connaissance de ce produit vous rende négligent. Rappelez-vous qu'il ne suffit qu'une fraction de seconde d'inattention pour provoquer de graves blessures.



### AVERTISSEMENT :

Portez toujours des lunettes de sécurité avec des protections latérales marquées conformes à la norme ANSI Z87.1 lorsque vous utilisez cet équipement. Ne pas respecter cette consigne pourrait avoir pour conséquence l'éjection d'objets dans vos yeux, provoquant de possibles blessures graves.

## DÉBALLAGE



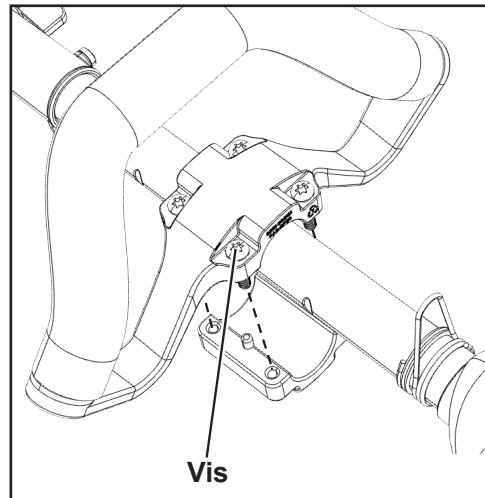
### AVERTISSEMENT :

Si une pièce de l'élagueuse est manquante ou endommagée, ne branchez pas l'appareil et ne l'utilisez pas avant que la pièce endommagée ne soit réparée ou remplacée.

**NE jetez PAS** le carton ou les matériaux d'emballage avant d'avoir examiné toutes les pièces.

**REMARQUE :** L'huile de chaîne et du guide-chaîne n'est pas incluse. You must fill the Chain Saw with SAE 10W-30 oil **BEFORE** use. Vous devez remplir l'élagueuse sur perche avec de l'huile SAE 10W-30 **AVANT** de l'utiliser.

## INSTALLATION DE LA POIGNÉE



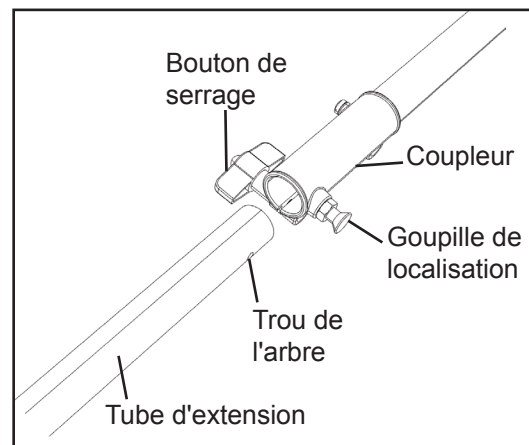
1. Vissez la poignée et le support l'un à l'autre à l'aide de la clé à six pans fournie. Les vis et le support sont pré-fixés à la poignée avant.
2. Serrez les 4 vis jusqu'à ce que la poignée soit bien fixée.

## ASSEMBLAGE DE L'ARBRE DE LA TÊTE MOTRICE / ARBRE INFÉRIEUR



### AVERTISSEMENT :

Débranchez le fil de la bougie avant d'effectuer des procédures d'entretien ou d'assemblage.



1. Placez le bloc moteur sur une surface plane. Desserrez le bouton de serrage.
2. Tirez la goupille hors du localisateur et tournez-la d'un quart de tour dans le sens contraire des aiguilles

d'une montre pour la verrouiller. Retirez le capuchon et l'entretoise en carton, si nécessaire.

3. Alignez le trou de la perche avec la goupille de localisation du coupleur.
4. Installez le tube de rallonge dans le coupleur. Tirez sur la goupille de localisation et faites-la tourner d'un quart de tour dans le sens des aiguilles d'une montre. Poussez l'arbre de transmission jusqu'à ce que la goupille de localisation se bloque.
5. Serrez le bouton de serrage.
6. En suivant les étapes 1 à 5, installez l'arbre de transmission inférieur.

## MONTAGE DE LA CHAÎNE ET DU GUIDE-CHAÎNE

### AVERTISSEMENT :

Débranchez le fil de la bougie avant d'effectuer des procédures d'entretien ou d'assemblage.

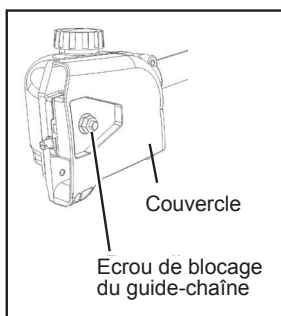
### AVERTISSEMENT :

Les bords de coupe de la chaîne sont tranchants. Ne manipulez jamais la chaîne sans mettre des gants.

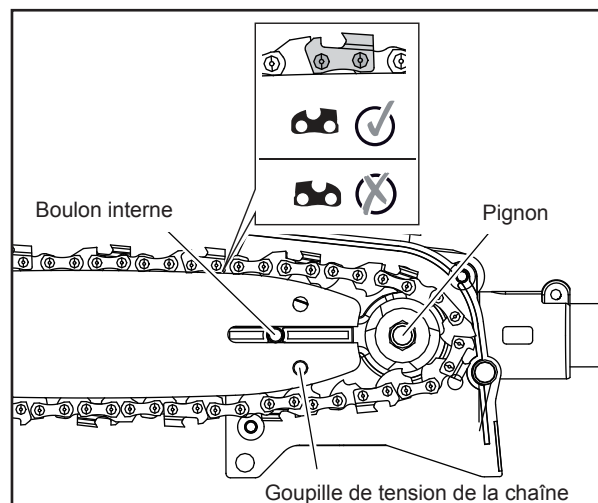
### AVERTISSEMENT :

La chaîne doit être TOUJOURS gardée tendue. Le risque de rebond augmente si la chaîne est détendue. Une chaîne détendue peut en outre sauter en dehors de la fente du guide-chaîne. La chaîne risquerait alors d'être endommagée et de blesser l'utilisateur. Enfin, une chaîne détendue accélère l'usure du guide-chaîne, du pignon et de la chaîne elle-même. La durée de vie de la chaîne dépend principalement du graissage et de la tension. Évitez de tendre la chaîne si elle est chaude, car cela la rendrait plus tendue une fois refroidie.

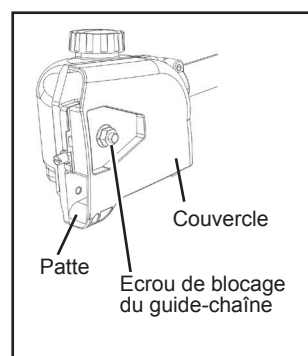
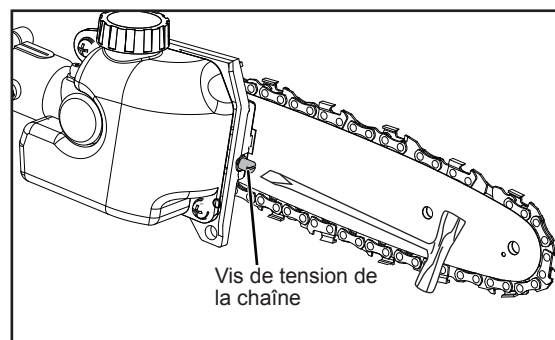
1. Placez le boîtier de la scie sur une surface ferme et plane.
2. À l'aide de la clé fournie, tournez l'écrou de blocage du réglage du guide-chaîne dans le sens anti-horaire pour le desserrer. Retirez l'écrou de blocage et le couvercle.



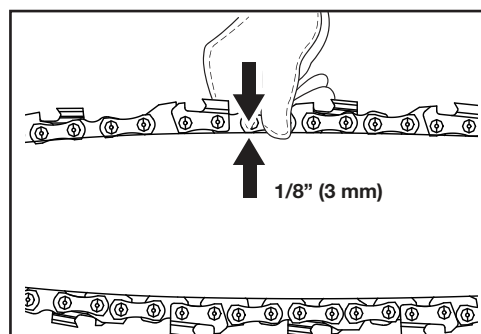
3. En portant des gants de protection, enroulez la chaîne autour du guide-chaîne en vous assurant que les dents sont orientées dans le sens de la rotation. La chaîne doit être correctement placée dans la fente qui s'étend le long du bord extérieur du guide-chaîne.
4. Placez la chaîne autour du pignon tout en alignant la fente du guide-chaîne avec le boulon interne à la base de la scie et la goupille de tension de la chaîne dans le trou du guide-chaîne. La goupille de tension de la chaîne peut nécessiter un ajustement pour s'aligner correctement sur le trou du guide-chaîne. Utilisez la roue de tension de la chaîne pour ajuster son emplacement jusqu'à ce qu'elle s'insère dans le guide-chaîne.



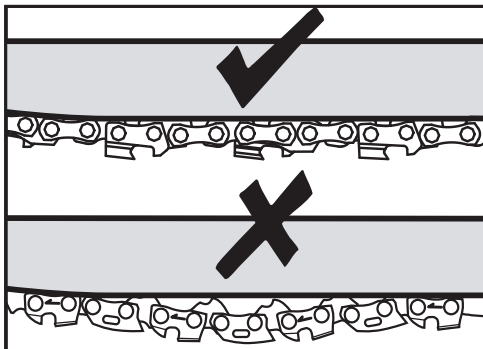
5. Tournez la vis de tension de la chaîne dans le sens des aiguilles d'une montre pour serrer au préalable suffisamment le guide-chaîne pour que la chaîne reste en place. Tout en maintenant le guide-chaîne immobile, réinstallez le couvercle sur la scie. Assurez-vous que la patte s'aligne correctement avec la fente sur le boîtier de la scie. Installez l'écrou de blocage. À l'aide de la clé fournie, tournez l'écrou de blocage dans le sens des aiguilles d'une montre pour le serrer. NE serrez PAS trop.



6. Vérifiez la tension de la chaîne en éloignant la chaîne du guide-chaîne. Une chaîne correctement tendue doit être à une distance d'environ 1/8 pouce (3 mm) du guide-chaîne.



7. Si des ajustements sont nécessaires, desserrez l'écrou de blocage du guide-chaîne en effectuant un tour complet.
8. Pour ajuster la tension de la chaîne, tournez la vis de tension de la chaîne. Tourner la vis dans le sens des aiguilles d'une montre augmente la tension alors que la tourner dans le sens contraire des aiguilles d'une montre, la tension sera réduite. Une chaîne correctement tendue ne doit pas être lâche et ne doit pouvoir être tirée que de 1/8 pouces (3 mm) du guide-chaîne.
9. Une fois que la chaîne est correctement tendue, serrez l'écrou de blocage du guide-chaîne. NE tendez PAS trop la chaîne : cela entraînerait une usure excessive et réduirait la durée de vie du guide-chaîne et de la chaîne.



## ! ATTENTION :

La chaîne de l'élagueuse doit être tendue correctement afin de garantir un fonctionnement sûr.

### LUBRIFIER LA CHAÎNE

L'élagueuse sur perche dispose d'un système de lubrification automatique de la chaîne. N'utilisez jamais l'élagueuse sur perche sans huile de chaîne. L'utilisation de l'élagueuse sur perche sans suffisamment d'huile pour chaîne endommagerait l'unité.

Utilisez uniquement de l'huile de chaîne SAE 10W-30. Les autres huiles risquent d'endommager l'unité et d'annuler la garantie. Prenez note des conditions de température. L'utilisation de l'élagueuse à diverses températures nécessite l'utilisation d'huiles différentes. Pour assurer une couche suffisante de lubrifiant à des températures plus basses, utilisez de l'huile liquide (faible viscosité).

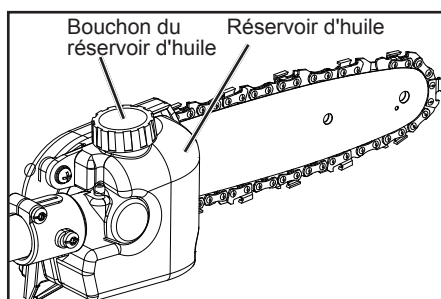
### REPLIR LE RÉSERVOIR DE CARBURANT

1. Placez l'élagueuse sur perche sur une surface plane. Nettoyez le pourtour du bouchon d'huile puis ouvrez le bouchon.

## ! ATTENTION :

Assurez-vous qu'aucune saleté ne pénètre dans le réservoir d'huile pour éviter le colmatage dans l'embout d'huile.

2. Remplissez le réservoir avec 4.02 oz. (120 ml) d'huile de chaîne.

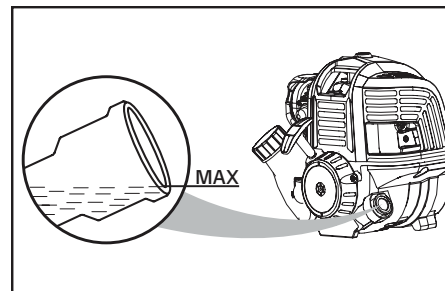


3. Fermez le bouchon du réservoir.

## AJOUTER / VÉRIFIER L'HUILE DE MOTEUR

## ! ATTENTION :

Tenter de démarrer le moteur avant qu'il ait été correctement rempli de lubrifiant entraînera une défaillance de l'équipement non couvert par la garantie.



Le lubrifiant à moteur a une influence majeure sur les performances et la durée de vie du moteur. Cet appareil est expédié sans lubrifiant à moteur.

Utilisez toujours un lubrifiant pour moteur à 4 temps qui respecte ou dépasse les exigences de la classification de service API SJ. Les lubrifiants SAE 30, 10W30 ou 10W40 sont tous acceptables dans ce produit. Les lubrifiants non détergents ou pour moteurs 2 temps endommageront le moteur et ne doivent pas être utilisés. Vérifiez le niveau de lubrifiant avant chaque utilisation.

## AJOUTER L'HUILE DE MOTEUR : PREMIÈRE UTILISATION

1. Dévissez le bouchon du bidon d'huile de moteur et retirez-le.
2. Versez 60 ml d'huile dans l'orifice de remplissage du réservoir d'huile. Replacez et serrez le bouchon du réservoir d'huile.

## VÉRIFIER L'HUILE DE MOTEUR : AVANT CHAQUE UTILISATION

1. Séparez l'élagueuse sur perche du bloc moteur.
2. Placez le bloc moteur sur une surface plane avec le manche parallèle à la surface.
3. Dévissez le bouchon du réservoir d'huile et retirez-le.
4. Le niveau de lubrifiant ne doit pas dépasser la partie supérieure de l'orifice de remplissage d'huile (partie supérieure du filetage de la vis).
5. Si le niveau est bas, ajoutez du lubrifiant de moteur jusqu'à ce que le niveau de liquide atteigne le haut de l'orifice de remplissage du réservoir d'huile (le haut du filetage).

**REMARQUE :** Ne remplissez pas trop le réservoir.

6. Replacez et serrez le bouchon du réservoir d'huile.

## ! ATTENTION :

Ne remplissez pas trop le réservoir. Un remplissage excessif du carter peut provoquer une fumée excessive, une perte d'huile et des dommages sur le moteur.

## ! AVERTISSEMENT :

L'utilisation de cet équipement pourrait créer des étincelles pouvant déclencher des incendies autour d'une végétation sèche. Un pare-étincelles peut être requis. L'opérateur doit contacter les services d'incendie locaux pour connaître les lois ou règlements relatifs aux exigences de prévention des incendies.



### ⚠ AVERTISSEMENT :

N'utilisez pas des accessoires ou des pièces non recommandés par le fabricant de ce produit. L'utilisation d'équipements ou d'accessoires qui ne sont pas recommandés peut provoquer de graves dommages corporels.

### REMPLIR LE RESERVOIR DE CARBURANT

### ⚠ AVERTISSEMENT :

L'essence est extrêmement inflammable. Les vapeurs allumées peuvent exploser. Arrêtez toujours le moteur et laissez-le refroidir avant de remplir le réservoir. Ne fumez pas lors du remplissage du réservoir. Éloignez-vous des étincelles et des flammes nues lors du remplissage du réservoir.

### ⚠ AVERTISSEMENT :

Retirez lentement le bouchon du réservoir d'essence pour éviter les blessures dues à toute pulvérisation du carburant. N'utilisez jamais l'appareil sans le bouchon du réservoir en place.

### ⚠ AVERTISSEMENT :

Ajoutez du carburant dans un espace extérieur propre et bien ventilé. Essuyez immédiatement tout déversement de carburant. Évitez de créer une source d'ignition pour le carburant déversé. Ne démarrez pas le moteur avant que les vapeurs de carburant ne se soient dissipées.

### ⚠ AVERTISSEMENT :

Le carburant et les vapeurs de carburant sont extrêmement inflammables et explosifs. Pour éviter des blessures graves et des dommages matériels importants, manipulez le carburant avec précaution. Éloignez-vous des sources d'inflammation et des flammes nues, manipulez le carburant à l'extérieur uniquement. Versez le carburant à l'extérieur là où il n'y a pas d'étincelles ni de flammes. Ne débouchez jamais le réservoir de carburant tant que le moteur est en marche.

Ne fumez pas lors du remplissage du réservoir. Essuyez le carburant déversé sur l'appareil. Éloignez-vous d'au moins 10 pieds (3 m) de la source d'alimentation et du lieu de mélange et remplissage avant de démarrer le moteur.

### ⚠ AVERTISSEMENT :

Portez toujours des pantalons longs et épais, des bottes, des gants et une chemise à manches longues. Ne portez pas de vêtements amples, de bijoux, de pantalons courts, de sandales et ne travaillez pas pieds nus. Attachez vos cheveux pour qu'ils soient au-dessus des épaules.

### UTILISER LE CARBURANT APPROPRIÉ

L'utilisation d'un vieux carburant est la cause la plus fréquente de problèmes de performance. Utilisez uniquement de l'essence sans plomb fraîche et propre. Cet appareil est équipé d'un moteur à quatre temps. NE mélangez PAS l'huile avec l'essence.

### Définition des carburants mélangés

Les carburants actuels sont souvent un mélange

d'essence et de composés oxygénés tels que l'éthanol, le méthanol ou le MTBE (éther). Le carburant mélangé à l'alcool absorbe l'eau. Une quantité aussi faible que 1% d'eau dans le carburant peut séparer le carburant et l'huile, formant des acides une fois l'appareil stocké. Utilisez TOUJOURS de l'essence fraîche (de moins de 30 jours) avec moins de 10% d'éthanol. Jetez le vieux carburant conformément aux réglementations fédérales, provinciales et locales.

### Utilisation des carburants mélangés

Si vous utilisez un carburant mélangé :  
Utilisez toujours de l'essence fraîche sans plomb  
Utilisez l'additif pour carburant STA-BIL® ou un type équivalent

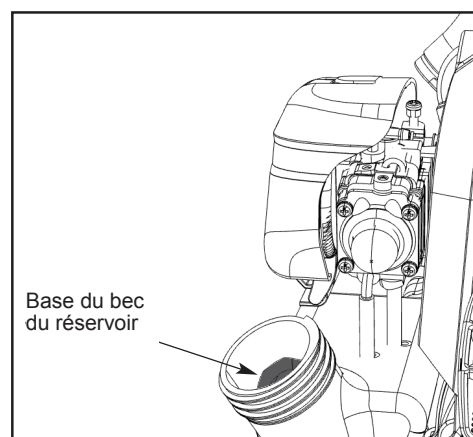
### ⚠ AVERTISSEMENT :

N'UTILISEZ PAS DE CARBURANT E85 DANS CE PRODUIT Il a été prouvé qu'un carburant contenant plus de 10% d'éthanol peut endommager ce moteur et annuler la garantie.

### UTILISATION D'ADDITIFS DE CARBURANT

Utilisez un additif pour carburant, tel que le stabilisateur de carburant STA-BIL ou un type équivalent, pour empêcher la corrosion et minimiser les dépôts de gomme. Ajoutez 0,8 oz. (23 ml) d'additif de carburant par gallon de carburant, conformément aux instructions figurant sur le récipient. N'ajoutez JAMAIS d'additifs de carburant directement dans le réservoir d'essence de l'appareil.

1. Enlevez le bouchon du réservoir de carburant en le tournant dans le sens inverse des aiguilles d'une montre. Posez le bouchon sur une surface propre.
2. Versez le carburant avec précaution dans le réservoir jusqu'à ce qu'il atteigne la base de son bec. Évitez tout débordement de carburant.



3. Remettez immédiatement le bouchon en place et serrez-le à la main en le tournant dans le sens des aiguilles d'une montre. Essuyez tout déversement de carburant.

**REMARQUE :** Inspectez visuellement le niveau de carburant pour voir s'il y en a assez. Si le niveau de carburant est bas, remplissez le réservoir avec du carburant sans plomb avec précaution, sans trop le remplir, et refermez immédiatement le bouchon du réservoir de carburant.



- Cet appareil est équipé d'un moteur à 4 temps. Ne mélangez pas l'huile avec le carburant.
- L'utilisation d'un vieux carburant est la cause la plus fréquente de problèmes de performance. Utilisez de l'essence sans plomb fraîche et propre (de moins de 30 jours). Jetez le vieux carburant conformément aux réglementations fédérales, provinciales et locales.
- Vidangez le réservoir et laissez le moteur sécher avant de ranger l'appareil.
- N'utilisez pas de carburant E15 ou E85 (ou un carburant contenant plus de 10% d'éthanol) dans ce produit. Cela endommagerait l'appareil et annulerait la garantie.

### **AVERTISSEMENT :**

Le boîtier du moteur peut chauffer pendant le fonctionnement de l'élagueuse sur perche. Ne reposez pas et ne placez pas votre bras, votre main ou une partie de votre corps contre le carter du moteur. Un contact prolongé avec le carter moteur peut provoquer des brûlures ou d'autres blessures.

### **AVERTISSEMENT :**

Positionnez toujours l'appareil sur votre côté droit. L'utilisation de l'appareil sur le côté gauche vous exposera à des surfaces chaudes et pourrait causer des brûlures. Pour éviter les brûlures causées par les surfaces chaudes, ne faites jamais fonctionner en plaçant le moteur au-dessus de votre taille.

### **AVERTISSEMENT :**

Tâchez d'éviter qu'une bonne connaissance de ce produit vous rende négligent. Rappelez-vous qu'il ne suffit qu'une fraction de seconde d'inattention pour provoquer de graves blessures.

### **AVERTISSEMENT :**

Portez toujours des lunettes de sécurité avec des protections latérales marquées conformes à la norme ANSI Z87.1 lorsque vous utilisez cet équipement. Ne pas respecter cette consigne pourrait avoir pour conséquence l'éjection d'objets dans vos yeux, provoquant de possibles blessures graves.

### **AVERTISSEMENT :**

N'utilisez pas des accessoires ou des pièces non recommandés par le fabricant de ce produit. L'utilisation d'équipements ou d'accessoires qui ne sont pas recommandés peut provoquer de graves dommages corporels.

### **AVERTISSEMENT :**

L'utilisation de cet équipement pourrait créer des étincelles pouvant déclencher des incendies autour d'une végétation sèche. Un pare-étincelles peut être requis. L'opérateur doit contacter les services d'incendie locaux pour connaître les lois ou règlements relatifs aux exigences de prévention des incendies.

### **AVERTISSEMENT :**

Faites fonctionner cet appareil uniquement dans un espace extérieur bien ventilé. Les gaz d'échappement de monoxyde de carbone peuvent être mortels dans un espace confiné.

### **AVERTISSEMENT :**

Évitez de démarrer accidentellement l'appareil. Pour éviter des blessures graves, l'opérateur et l'appareil doivent être dans une position stable lorsque la corde du démarreur est tirée.

### **ATTENTION :**

Ne vous surmenez pas. Prenez des pauses régulières et changez de position de travail pour vous assurer que vous pouvez vous concentrer sur le travail et avoir un contrôle total sur l'appareil. Maintenez toujours un ferme équilibre, et ayez toujours de bons appuis pendant le fonctionnement.

### **ATTENTION :**

Inspectez le produit avant chaque utilisation. Remplacez les pièces endommagées. Vérifiez s'il n'y a pas de fuite de carburant. Vérifiez que toutes les attaches sont en place et sécurisées.

## **PRÉPARATIONS**

Avant chaque utilisation, vérifiez les éléments suivants pour garantir des conditions de travail sûres.

**ÉLAGUEUSE :** Avant de commencer le travail, inspectez l'élagueuse sur perche pour déceler tout dommage potentiel sur le boîtier, sur la rallonge, sur la chaîne de la scie ou sur le guide-chaîne. N'utilisez jamais un appareil endommagé.

**RÉSERVOIR D'HUILE :** Vérifiez le niveau de remplissage du réservoir. Vérifiez également s'il y a suffisamment d'huile disponible pendant le travail. Ne faites jamais fonctionner l'élagueuse s'il n'y a pas d'huile ou si le niveau d'huile est inférieur au repère de niveau d'huile minimum afin d'éviter d'endommager l'outil. En moyenne, un remplissage d'huile suffit pour environ 10 minutes d'opération de coupe (en fonction de la durée des pauses et de la densité de la pièce).

**CHAÎNE DE SCIE :** Vérifiez la tension de la scie et l'état des lames. Plus la chaîne est affûtée, plus les opérations de coupe seront simples et faciles. La même chose s'applique à la tension de la chaîne.

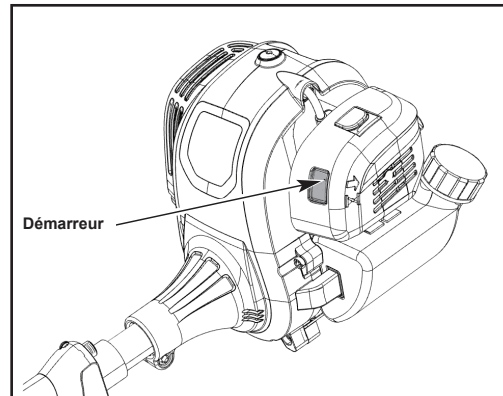
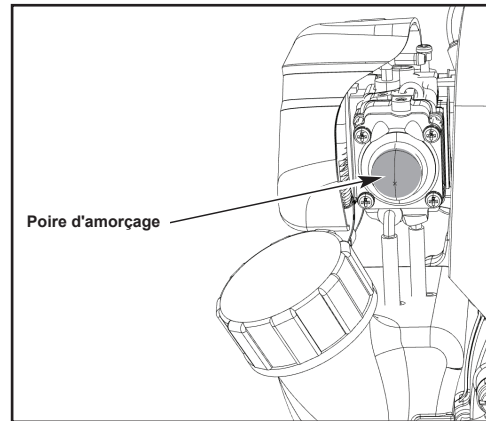
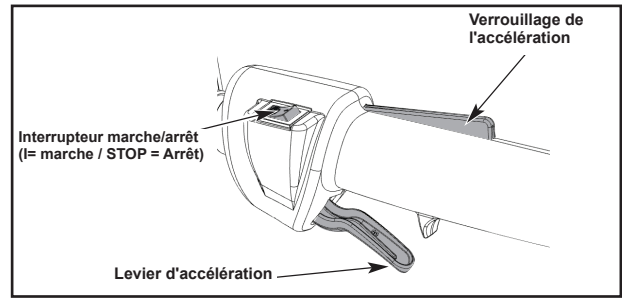
Vérifiez la tension de la chaîne de scie toutes les 10 minutes d'utilisation pour maximiser la sécurité. Les nouvelles chaînes en particulier sont sujettes à des changements dus à la chaleur créée par l'utilisation.

**VÊTEMENTS DE PROTECTION :** Portez des vêtements de protection appropriés et bien ajustés tels qu'un pantalon de protection, des gants et des chaussures de sécurité. Portez un casque de sécurité muni d'une protection auditive intégrée et d'un protège-visage pour vous protéger contre les chutes et le rebond des branches.

## DÉMARRAGE ET ARRÊT

Pour démarrer un moteur froid :

1. Appuyez 5 à 10 fois sur la poire d'amorçage.  
**REMARQUE** : Après la 7ème pression, le carburant devrait être visible dans la poire d'amorçage. Si ce n'est pas le cas, continuez d'appuyer sur l'amorce jusqu'à ce que vous voyiez du carburant dans la poire.
2. Appuyez sur le bouton du starter pour régler le starter en position PLEIN GAZ (FULL CHOKE).  
**REMARQUE** : N'appuyez pas sur la gâchette d'accélération car le starter se relèvera automatiquement.
3. Tirez lentement la poignée / la corde du starter jusqu'à sentir une résistance. Tirez brusquement 3 à 5 fois ou jusqu'à ce que vous entendiez le moteur chauffer ou démarrer.
4. Si le moteur ne démarre pas, relâchez le starter en appuyant sur la gâchette d'accélération et le bouton du starter se relèvera.
  - a. Le moteur est maintenant en position de marche.
  - b. Tirez rapidement la poignée / la corde du starter jusqu'à ce que le moteur démarre.
5. Laissez le moteur tourner pendant 10 secondes, puis appuyez sur la gâchette d'accélération pour alimenter le moteur en carburant et pour utiliser l'appareil.  
**REMARQUE** : Le bouton du starter n'est utilisé que lors du démarrage d'un moteur froid. N'appuyez jamais sur le bouton du starter une fois que le moteur a été chauffé ou en marche. Sinon, le moteur pourrait être endommagé.



### Pour redémarrer un moteur chaud :

**REMARQUE** : N'appuyez PAS sur le bouton du starter.

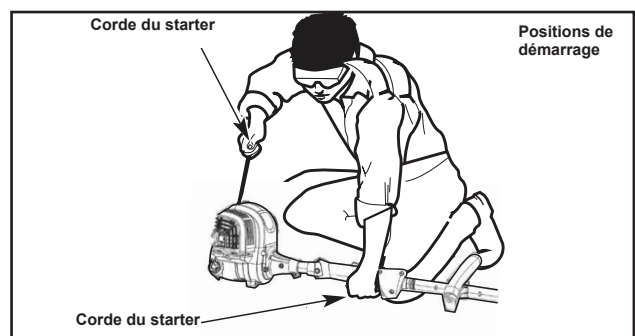
1. Assurez-vous que la poire d'amorçage contient du carburant.
2. Tirez rapidement le starter / la poignée jusqu'à ce que le moteur démarre.
3. Appuyez sur la gâchette d'accélération pour alimenter le moteur en carburant.

## ARRÊT DU MOTEUR :

Pour arrêter le moteur, appuyez sur l'interrupteur STOP jusqu'à la position d'arrêt «STOP».

**REMARQUE** : Cet interrupteur reviendra automatiquement en position de marche (ON).  
SI UNE ASSISTANCE EST NÉCESSAIRE POUR UTILISER CE PRODUIT :

Ne retournez pas ce produit au magasin où il a été acheté. Veuillez appeler notre service clientèle pour tout problème que vous pourriez avoir avec le produit. Appelez le service clientèle : 1-800-261-3981



## MAINTIEN DE L'APPAREIL

- Placez-vous en position de travail debout et droit. Ne vous penchez pas.
- Gardez les pieds écartés et fermes sur le sol.
- Tenez la poignée du manche de la main droite. Gardez le bras droit légèrement plié.
- Tenez la poignée avec la main gauche. Gardez le bras gauche tendu.
- Tenez l'appareil au niveau de la taille.
- Positionnez la tête de coupe à quelques pouces du sol.
- Veillez à maintenir toutes les parties de votre corps éloignées du mécanisme de coupe en rotation et des surfaces chaudes.

# ENTRETIEN

L'unité ne doit être réparée qu'avec des pièces de rechange identique. L'utilisation de toute autre pièce peut créer un danger ou détériorer le produit.

## **⚠️ AVERTISSEMENT :**

Pour éviter de graves blessures, arrêtez toujours le moteur et laissez-le refroidir avant de nettoyer ou de procéder à un entretien sur l'appareil. N'effectuez jamais de nettoyage ou d'entretien lorsque l'appareil est en marche. Débranchez le fil de la bougie pour éviter que l'appareil ne démarre accidentellement.

## **⚠️ AVERTISSEMENT :**

Portez des vêtements de protection et respectez toutes les consignes de sécurité pour éviter des blessures graves.

## NETTOYAGE

Utilisez une petite brosse pour nettoyer l'extérieur de l'appareil. N'utilisez pas de détergents puissants. Les nettoyants ménagers contenant des huiles aromatiques comme le pin et le citron et les solvants tels que le kérosène peuvent endommager le plastique. Essuyez toute humidité avec un chiffon doux.

Un nettoyage correct et régulier est non seulement important pour une utilisation sûre de ce produit, mais prolonge également sa durée de vie.

## PROGRAMME D'ENTRETIEN

Élément	Heures de fonctionnement
Vérifiez le niveau d'huile.	A chaque utilisation
Vérifiez s'il y a des attaches desserrées / perdues	
Vérifiez s'il y a des dommages	
Vérifiez la fonction des éléments de contrôle	
Vérifiez le niveau d'huile.	
Vérifiez s'il n'y a pas de fuite de carburant / d'huile	
Vérifiez le fil de coupe	
Vérifiez le guide-chaîne / la chaîne	
Remplacez l'huile	Toutes les 20 heures
Nettoyez le filtre à air.	Toutes les 20 heures Toutes les 10 heures si les conditions sont poussiéreuses
Vérifiez la bougie	Toutes les 20 heures

## REMARQUES

- Ce programme d'entretien n'est qu'une recommandation pour les appareils en état de fonctionnement normal.
- Si la machine présente des signes anormaux, veuillez procéder immédiatement à l'inspection et à l'entretien appropriés.

- Le couple de serrage doit correspondre aux spécifications générales de la vis, en termes de taille, de classe et de matériau.
- Si quelque chose ne vous semble pas clair, contactez notre équipe d'assistance pour obtenir de l'aide.
- Toute autre réparation ou entretien non mentionné ici ne doit être effectué que par notre équipe de service ou un personnel autorisé.

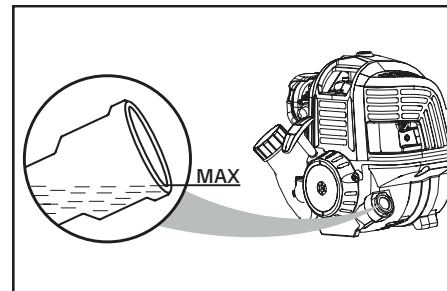
## REPLACEMENT DE L'HUILE DE MOTEUR

### **⚠️ AVERTISSEMENT :**

L'huile de moteur usée est considérée comme un déchet spécial et doit être éliminée conformément à la réglementation locale sur la protection de l'environnement. Ne jetez pas l'huile dans une poubelle, un égout, la terre, etc.

Le remplacement de l'huile moteur est plus facile si le moteur est tiède (PAS CHAUD!).

1. Ouvrez le bouchon du réservoir d'huile et vidangez l'huile usée dans un récipient approuvé.
2. Remettez le moteur en position verticale et versez du lubrifiant en suivant les instructions du paragraphe AJOUT / CONTRÔLE DE L'HUILE DE MOTEUR de ce manuel.
3. Nettoyez l'huile déversée sur l'appareil si nécessaire.



## NETTOYAGE DU FILTRE A AIR

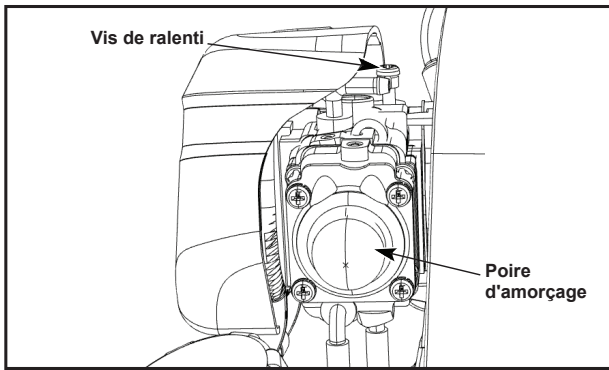
Le filtre à air doit être nettoyé pour fournir au moteur une quantité d'air propre et abondant facilitant le démarrage, la puissance et la durée de vie du moteur.

1. Retirez le couvercle du filtre à air. Pour le retirer, appuyez avec le pouce sur le bouton vert en haut du couvercle et poussez doucement le couvercle vers le haut avec l'index.
2. Enlevez le filtre à air
3. Si seul le nettoyage du filtre à air est nécessaire, retirez le filtre à air et nettoyez-le avec de l'air comprimé sec jusqu'à ce que toute la poussière soit éliminée. Portez des lunettes de protection et un masque pour vous protéger pendant cette procédure.

Réinstallez le couvercle du filtre à air en le refermant sur le bouton du boîtier, puis appuyez sur le couvercle jusqu'à ce qu'il se remette en place.

**REMARQUE :** Assurez-vous que le filtre est correctement inséré dans le couvercle. Une installation incorrecte causera une pénétration des saletés dans le moteur, entraînant une usure rapide du moteur.

## RÉGLAGE DE LA VITESSE AU RALENTI



### **⚠ AVERTISSEMENT :**

L'accessoire de coupe ne doit pas bouger lorsque l'appareil est en vitesse ralentie. Tournez la vis de vitesse de ralenti dans le sens inverse des aiguilles d'une montre pour réduire le régime du ralenti et arrêter les lames de coupe, ou contactez le service client pour effectuer les réglages et cesser l'utilisation jusqu'à ce que la réparation soit effectuée. Si l'outil de coupe tourne au ralenti, vous risquez de vous blesser gravement.

### **⚠ AVERTISSEMENT :**

La tête de coupe bouge lors du réglage du ralenti. Portez un équipement de protection et éloignez tous les passants, les enfants et les animaux domestiques à plus de 50 pieds. Effectuez les réglages avec l'appareil soutenu d'une main afin que la tête de coupe ne touche pas le sol ni aucun objet. Gardez toutes les parties de votre corps éloignées de la tête de coupe et du silencieux. Si ces instructions ne sont pas respectées, cela pourrait entraîner des blessures graves.

Si le moteur ne tourne pas correctement au ralenti :

1. Démarrez le moteur.
  2. Relâchez le levier d'accélération et laissez le moteur reprendre son régime de ralenti.
- Si le moteur s'arrête, augmentez la vitesse du ralenti. Utilisez un petit tournevis cruciforme pour faire tourner la vis de ralenti dans le sens des aiguilles d'une montre, 1/8 de tour à la fois, jusqu'à ce que le moteur tourne au ralenti.
  - Si la tête de coupe tourne lorsque le moteur tourne au ralenti, réduisez le régime du ralenti. Tournez la vis de ralenti dans le sens inverse des aiguilles d'une montre, 1/8 de tour à la fois, jusqu'à ce que les lames de coupe s'arrêtent de bouger.

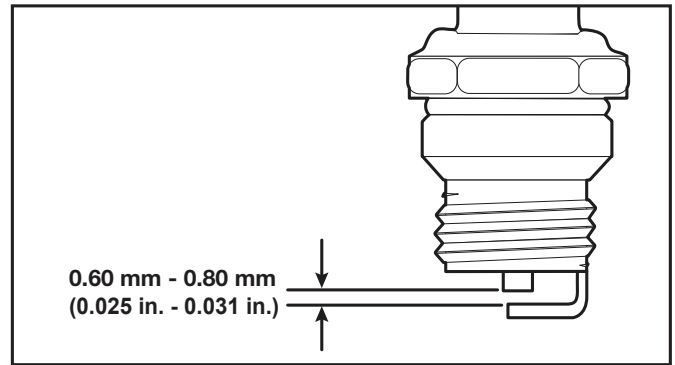
## ENTRETIEN DE LA BOUGIE D'ALLUMAGE

### **⚠ ATTENTION :**

Ne retirez pas la bougie quand le moteur est chaud.

### **⚠ ATTENTION :**

Ne sablez pas, ne grattez pas et ne nettoyez pas les électrodes des bougies. Les grains dans le moteur pourraient endommager le cylindre.



1. Arrêtez le moteur et laissez-le refroidir. Saisissez fermement le soufflet de la bougie et retirez-le de la culasse.
2. Nettoyez autour de la bougie. Retirez la bougie de la culasse avec une douille de 5/8 pouces, en la tournant dans le sens inverse des aiguilles d'une montre.

**REMARQUE :** Une clé à bougie 5/8-pouce est fournie avec cet appareil.

3. Inspectez la bougie d'allumage. Si la bougie est fissurée, encrassée ou sale, remplacez-la par une pièce de rechange #AM5C ou de type équivalent.
4. Utilisez une jauge d'épaisseur pour régler l'entrefer à 0,025 - 0,031 pouces (6 mm - 0.8 mm).
5. Installez la bougie dans la culasse. Serrez la bougie avec la clé à bougie de 5/8 pouces, en la tournant dans le sens des aiguilles d'une montre jusqu'à ce qu'elle soit bien ajustée.

**REMARQUE :** Si vous utilisez une clé dynamométrique, serrez-la à 18 N•m (159 po•lb.). Ne serrez pas trop.

6. Rattachez le capuchon de la bougie.

## REPLACEMENT DE LA CHAÎNE ET DU GUIDE-CHAÎNE

### **⚠ AVERTISSEMENT :**

Pour éviter de graves blessures, arrêtez toujours le moteur et laissez-le refroidir avant de nettoyer ou de procéder à un entretien sur l'appareil. N'effectuez jamais de nettoyage ou d'entretien lorsque l'appareil est en marche. Débranchez le fil de la bougie pour éviter que l'appareil ne démarre accidentellement.

### **⚠ AVERTISSEMENT :**

Portez des vêtements de protection et respectez toutes les consignes de sécurité pour éviter des blessures graves.

Remplacez la chaîne lorsque les dents sont trop usées pour être affûtées ou lorsque la chaîne se casse.

#### MONTAGE DE LA CHAÎNE ET DU GUIDE-CHAÎNE

Utilisez uniquement la chaîne de remplacement indiquée dans ce manuel. Utilisez toujours un nouveau pignon lors du remplacement de la chaîne. Cela maintiendra une conduite correcte de la chaîne.



## ENTREPOSAGE

- Ne stockez jamais l'appareil s'il est encore alimenté en carburant dans un endroit où les vapeurs peuvent atteindre une flamme nue ou une étincelle.
- Laissez le moteur refroidir avant de ranger l'appareil.
- Verrouillez l'appareil pour éviter toute utilisation non autorisée ou des dommages.
- Rangez l'appareil dans un endroit sec et bien ventilé.
- Rangez l'appareil hors de portée des enfants.

### Entreposage à court terme (1 à 2 semaines)

L'appareil doit toujours être rangé en position horizontale. Si ce n'est pas possible, rangez l'unité verticalement avec le moteur en haut. Entreposage à long terme

1. Retirez le bouchon du réservoir, inclinez l'appareil et vidangez le carburant dans un récipient approuvé. Remettez le bouchon du réservoir d'essence.
2. Démarrez le moteur et laissez-le tourner jusqu'à ce qu'il cale. Cela garantit que tout le carburant a été vidé du carburateur.
3. Laissez le moteur refroidir. Retirez la bougie et versez 5 gouttes d'huile moteur de haute qualité dans le cylindre. Tirez lentement sur la corde du démarreur pour distribuer l'huile. Réinstallez la bougie.
4. Nettoyez soigneusement l'appareil et inspectez-le pour vous assurer qu'il ne contient pas de pièces desserrées ou endommagées. Réparez ou remplacez les pièces endommagées et resserrez les vis, écrous ou boulons desserrés.
5. L'appareil doit toujours être rangé en position horizontale. S'il n'est pas possible de le placer horizontalement, rangez l'appareil verticalement avec le moteur en haut.

### Préparation de l'appareil pour une utilisation après une longue période d'entreposage

1. Enlevez la bougie d'allumage. Inclinez l'appareil et vidangez toute l'huile du cylindre dans un récipient approuvé. Réinstallez la bougie.
2. Changez l'huile. Reportez-vous au paragraphe "Changement de l'huile".

**REMARQUE :** N'utilisez pas de carburant stocké depuis plus de 30 jours. Jetez le vieux carburant conformément aux réglementations fédérales, provinciales et locales.

## TRANSPORT

### ATTENTION :

Installez le couvercle du guide-chaîne lors du transport pour éviter les blessures.

L'appareil doit toujours être transporté en position horizontale. Si ce n'est pas possible, transportez l'unité verticalement avec le moteur en haut. Sécurisez l'élagueuse sur perche pour éviter tout dommage pendant le transport.

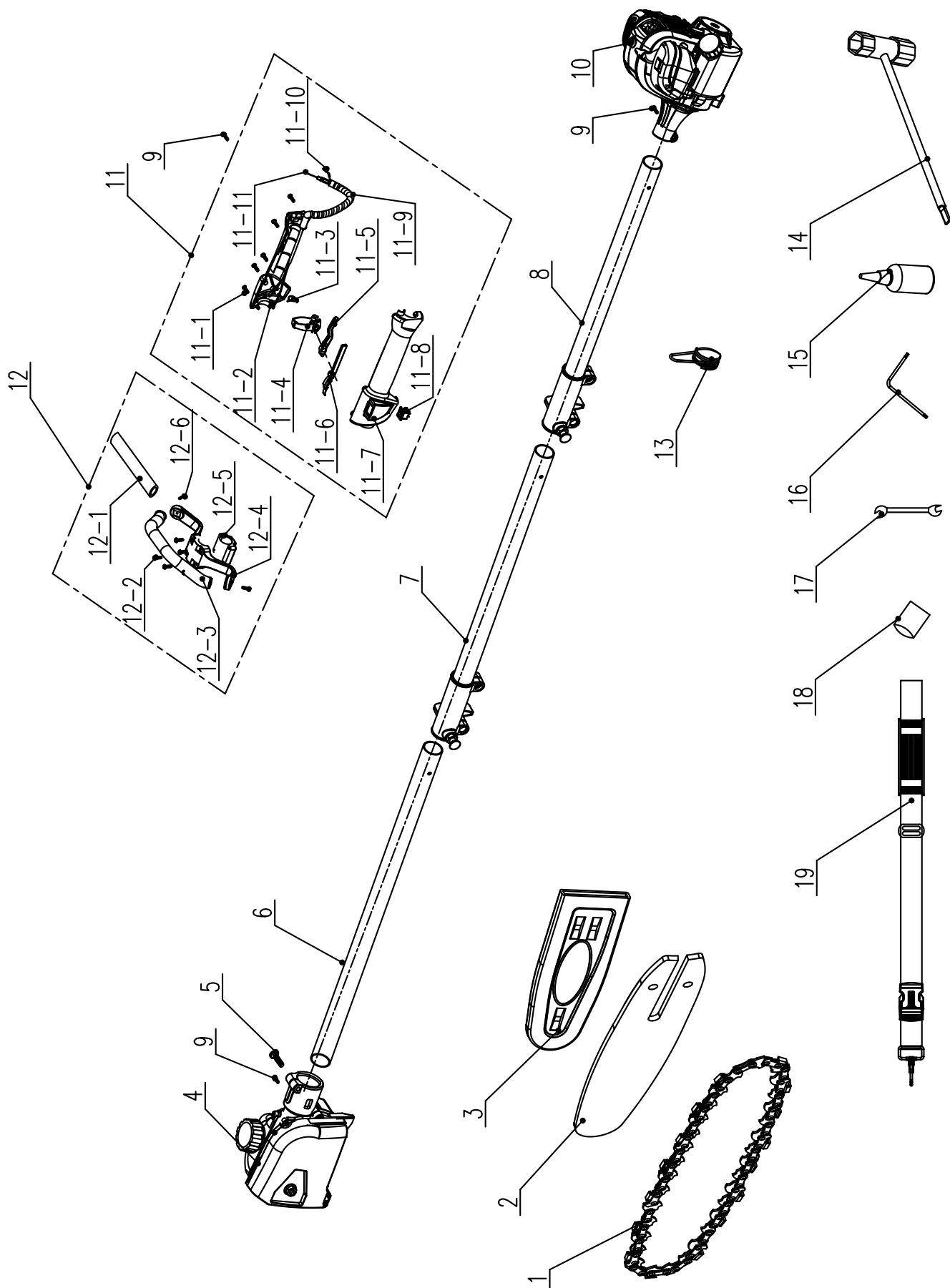


## GUIDE DE DÉPANNAGE

PROBLÈME	SOLUTION
<b>LE MOTEUR NE DÉMARRE PAS</b>	
Le réservoir de carburant est vide.	Remplissez le réservoir avec du carburant frais.
La poire d'amorçage n'a pas été pressée suffisamment.	Appuyez 10 fois sur la poire d'amorçage.
Le carburant est vieux (plus de 30 jours)	Videz le réservoir de carburant et ajoutez du carburant frais.
La bougie est encrassée.	Remplacez la bougie.
<b>LE MOTEUR NE TOURNE PAS</b>	
Le filtre à air est encrassé.	Lavez ou remplacez le filtre à air.
Le carburant est vieux (plus de 30 jours)	Videz le réservoir de carburant et ajoutez du carburant frais.
La vis du ralenti doit être ajustée	Tournez la vis de vitesse du ralenti dans le sens des aiguilles d'une montre pour augmenter la vitesse de ralenti
<b>L'APPAREIL ÉMET TROP DE FUMÉE</b>	
Il y a trop d'huile dans le carter	Vidangez l'huile moteur et reversez de l'huile avec la quantité correcte de lubrifiant de moteur
<b>LE MOTEUR N'ACCÉLÈRE PAS</b>	
Le carburant est vieux (plus de 30 jours)	Videz le réservoir de carburant et ajoutez du carburant frais.
La tête de coupe est obstruée d'herbes	Arrêtez le moteur et nettoyez la tête de coupe
Le filtre à air est encrassé.	Lavez ou remplacez le filtre à air.
<b>LE MOTEUR MANQUE DE PUISSANCE OU CALE</b>	
Le carburant est vieux (plus de 30 jours)	Videz le réservoir de carburant et ajoutez du carburant frais.
Le filtre à air est encrassé.	Lavez ou remplacez le filtre à air.
La bougie est encrassée.	Remplacez la bougie.
<b>LE GUIDE-CHAÎNE ET LA CHAÎNE CHAUFFENT, FUMENT OU RESTENT COINCÉS</b>	
La tension de la chaîne est trop élevée.	Ajustez la tension de la chaîne.
Le réservoir d'huile de la chaîne est vide.	Remplissez le réservoir d'huile de la chaîne.
<b>LA CHAÎNE NE TOURNE PAS</b>	
La tension de la chaîne est trop élevée.	Ajustez la tension de la chaîne.
Le guide-chaîne et la chaîne ne sont pas assemblés correctement.	Reportez-vous au paragraphe MONTAGE DE LA CHAÎNE ET DU GUIDE-CHAÎNE
Le guide-chaîne et la chaîne sont endommagés.	Inspectez la chaîne et le guide-chaîne pour vérifier s'ils ne sont pas endommagés. Remplacez-les si nécessaire.
La transmission est endommagée.	Consultez un technicien qualifié.
<b>LA CHAÎNE TOURNE MAIS NE COUPE PAS</b>	
La chaîne est émoussée.	Remplacez la chaîne ou faites-la affûter dans un centre d'entretien agréé.
La chaîne est montée à l'envers.	Vérifiez et remettez la chaîne dans le bon sens, le cas échéant.

Si une assistance supplémentaire est requise, apportez l'appareil à un revendeur qualifié.

# DESCRIPTION DES PIÈCES



## LISTE DES PIÈCES

No.	N.º de parte	Descripción	Cant.
1	243-0197	Chaîne de scie	1
2	243-0393	Guide-chaîne	1
3	9331-T10701-0000130	Couvercle de protection de la chaîne	1
4	199141000002	Assemblage de la tête de scie à perche	1
5	8SJJD05-25D	Vis	1
6	199999001469	Assemblage de l'arbre d'entraînement inférieur	1
7	199999001468	Assemblage du tube d'extension	1
8	199999001470	Assemblage du tube arrière	1
9	8SJJD05-10D	Vis	3
10	103001000301	Moteur de 26,5 cm <sup>3</sup>	1
11	199004000574	Assemblage de la poignée	1
11-1	8SJEB40-14D	Vis	5
11-2	202024002294	Poignée droite	1
11-3	8342-902101-0000000	Ressort de rappel	1
11-4	202999001676	Cercle de contrôle	1
11-5	202004000882	Gâchette d'accélérateur	1
11-6	202042000206	Levier de contrôle	1
11-7	202024002295	Poignée gauche	1
11-8	207180200023	Interrupteur	1
11-9	235-2001	Couverture du fil	0.2
11-10	199999001317	Fil d'arrêt	1
11-11	199081000107	Assemblage du câble	1
12	199004000573	L'assemblage de la poignée	1
12-1	299009000010	Fourreau de poignée	1
12-2	8SJJB50-25D	Vis	4
12-3	202024002293	Poignée avant	1
12-4	202031000615	Support de poignée	1
12-5	202029000219	Plaque de pression	1
12-6	8SJJB50-20D	Vis	2
16	8261-611601-0100000	Clé	1
13	201024000010	Crochet de harnais	1
14	207179900029	Gâchette	1
15	202999001666	Bouteille en plastique	1
17	8261-611601-0100000	Clé	1
18	202023000077	Robinet d'arrêt	2
19	208008000051	Harnais	1

# GARANTIE

## GARANTIE LIMITÉE À TROIS ANS

Garantie limitée de 3 ans sur tous les équipements à essence de la série Senix 4QL.

Ce produit Senix est garanti DURANT TROIS ANS à compter de la date d'achat d'origine, contre les défauts de matériaux ou de fabrication sur les outils. Le produit défectueux sera réparé gratuitement. \* Cette garantie ne couvre pas l'usure normale des pièces et des composants tels que la chaîne de coupe, la ligne ou les lames, et cette garantie ne couvre pas les frais de transport du produit pour la garantie ou l'entretien.

La garantie est sujette aux conditions suivantes :

- La garantie s'applique à l'acheteur original au détail et n'est pas transférable \*
  - Enregistrement de la garantie sur [www.senixtools.com](http://www.senixtools.com)
  - L'outil n'a pas été utilisé incorrectement, abusé, négligé, altéré, modifié ou réparé par quiconque autre qu'un centre d'entretien autorisé.
  - Seuls les accessoires Senix authentiques ont été utilisés avec ou sur ce produit.
  - L'outil a été soumis à une usure normale
  - L'outil n'a pas été utilisé à des fins commerciales ou professionnelles
  - L'outil n'a pas été utilisé à des fins locatives
  - Cette garantie ne couvre que les défauts résultant d'une utilisation normale et ne couvre pas les dysfonctionnements, défaillances ou défauts résultant d'une utilisation incorrecte, d'un abus (surcharge du produit, exposition à l'eau ou à la pluie), d'une négligence ou d'un défaut d'installation, d'entretien ou de stockage.
- Pour localiser votre fournisseur de services Senix le plus proche, appelez gratuitement le 800-261-3981 ou envoyez-nous un e-mail sur [service@senixtools.com](mailto:service@senixtools.com).

## Limitations supplémentaires

Toute garantie implicite accordée en vertu de la loi de l'État, y compris les garanties de qualité marchande ou d'adéquation à un usage particulier, est limitée à trois ans à compter de la date d'achat des outils électriques et des chargeurs et à sept ans à compter de la date d'achat des batteries. Le fabricant n'est pas responsable des dommages directs, indirects, accessoires ou consécutifs. Certains états et provinces n'autorisent pas les limitations sur la durée d'une garantie implicite et / ou n'autorisent pas l'exclusion ou la limitation des dommages accessoires, et dans ce cas, les restrictions décrites précédemment ne s'appliquent pas. Cette garantie vous donne des droits légaux spécifiques, et vous pouvez également avoir d'autres droits qui varient d'un état à l'autre ou d'une province à l'autre.

YAT USA décline toute responsabilité en matière de responsabilité civile résultant d'une utilisation abusive ou non conforme à une utilisation et une maintenance correctes de la machine telles que décrites dans le manuel d'instructions.

YAT USA n'est pas responsable des dommages directs, indirects, accessoires ou consécutifs.

Après l'achat, le fabricant recommande un entretien approprié de la machine et de lire le manuel d'instructions avant d'utiliser la machine.

\* Un reçu d'achat original peut être exigé comme preuve d'achat.

Pour le service à la clientèle, contactez-nous gratuitement au 1-800-261-3981 ou sur [Senixtools.com](http://Senixtools.com).

YAT USA, Inc. 6441 Hendry Road, Suite A, Charlotte, NC 28269